

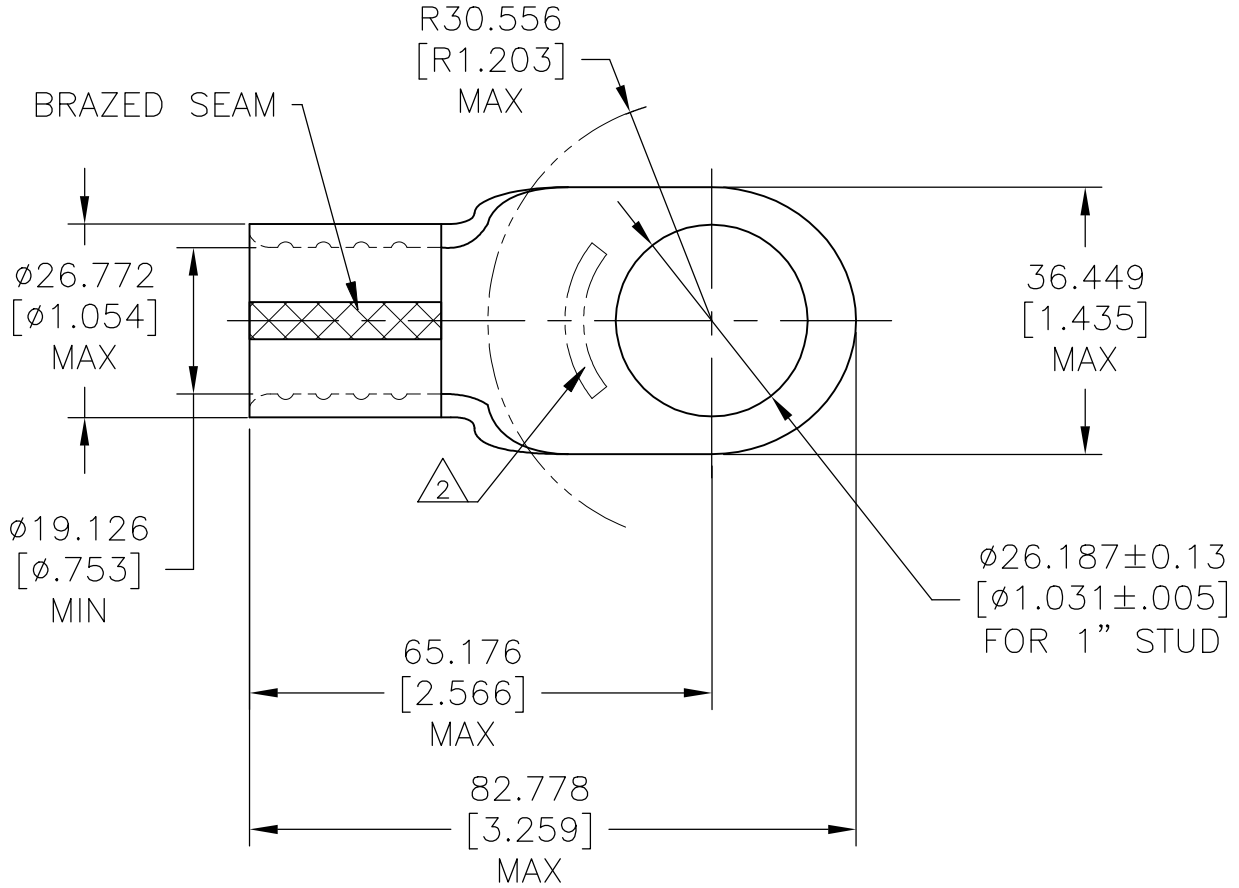


REVISIONS					
P	LTR	DESCRIPTION	DATE	DWN	APVD
	C	REVISED PER ECO-17-004099	29AUG2017	RS	DR
	D	REVISED PER ECO-18-001491	31JAN2018	RS	DR


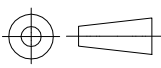
 E13288 Listed	 LR7189 Certified
250-300 MCM STRANDED ONLY	250-300 MCM SOLID OR STRANDED



1 BODY MATERIAL THICKNESS 3.200±0.076[.126±.003]

2 STAMP AMP 250-300 MCM* APPROX AS SHOWN

25	LOOSE PIECE	323034
QTY	PACKAGE TYPE	PART NUMBER

DIMENSIONS: mm [INCHES]	DWN	DK SCHRUM	6/12/92	MATERIAL	COPPER ASTM B-152	FINISH	.000100 MIN EXT THK TIN PLATE PER ASTM B545
	CHK	RD HEIM	6/26/92	 TE Connectivity Ltd.			
TOLERANCES UNLESS OTHERWISE SPECIFIED:	APVD	AJ KAUFMAN	6/26/92				
	PRODUCT SPEC	UL 486 A-B		NAME	TERMINAL, RING TONGUE, SOLISTRAND, TM WIRE SIZE: 127.0-152.0mm ² [250-300] MCM		
	APPLICATION SPEC	-		SIZE	A4	CAGE CODE	00779
0 PLC ± -	1 PLC ± -	2 PLC ± -	3 PLC ± 0.127[.005]	DRAWING NO	C-323034		RESTRICTED TO
4 PLC ± -	ANGLES ± -	WEIGHT	CUSTOMER DRAWING		SCALE	1:1	SHEET 1 OF 1
						REV	D

单击下面可查看定价，库存，交付和生命周期等信息

[>>TE Connectivity\(泰科\)](#)