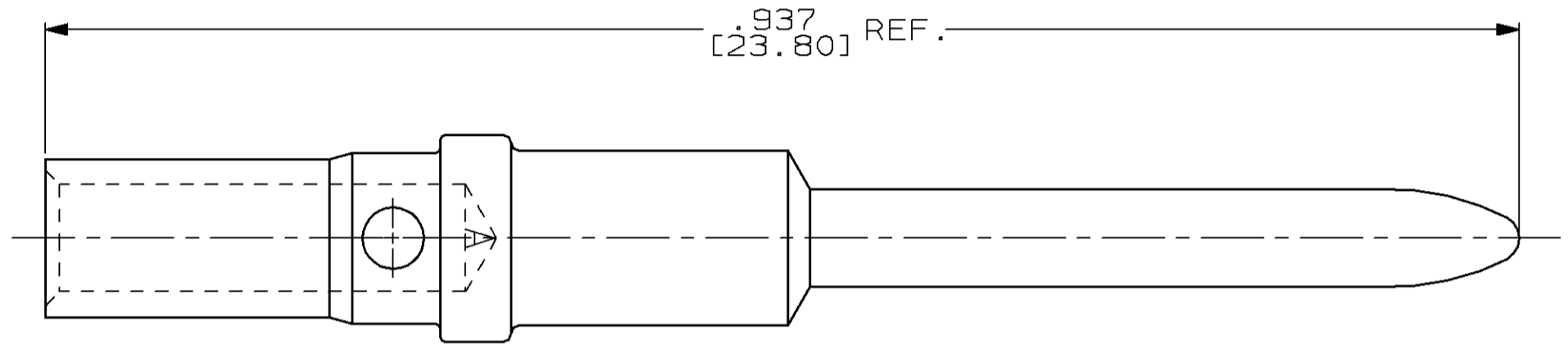
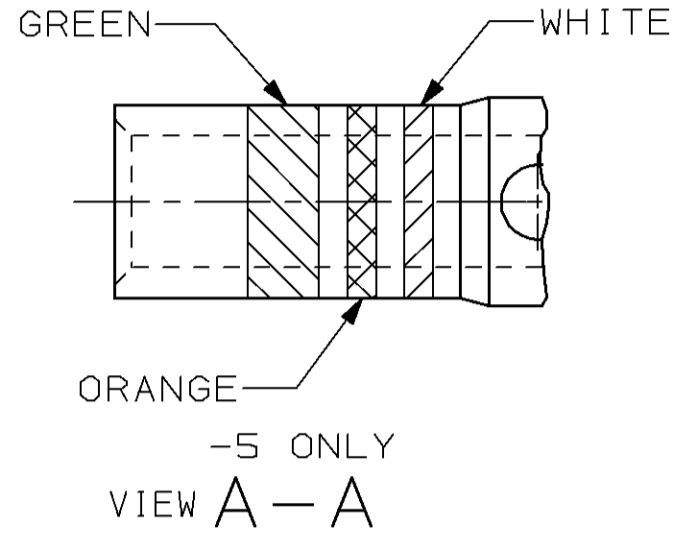


THIS DRAWING IS UNPUBLISHED. RELEASED FOR PUBLICATION
 BY AMP INCORPORATED. ALL RIGHTS RESERVED.

| LOC | | DIST | | REVISIONS | | | |
|-----|-----|------------------------|--|-----------|-----|------|--|
| P | LTR | DESCRIPTION | | DATE | DWN | APVD | |
| 0 | | DRAW PER DR, 7-140F JB | | 12-05-97 | JB | AS | |



1 MATERIAL: COPPER ALLOY PER MIL-C-39029.
 2 PER VIEW A - A

| | |
|------------|-------------|
| 2 | 213122-5 |
| NONE | 213122-4 |
| COLOR CODE | PART NUMBER |

| | | | | | |
|------------------------------------------------------------------------------------------|---|--------------|-------------|-----------|-----------------------------------------------|
| THIS DRAWING IS A CONTROLLED DOCUMENT. | | DWN | J. A. Baker | 06-17-97 | AMP Incorporated Harrisburg, PA 17105-3608 |
| DIMENSIONS: In [mm] | | CHK | A. SHARPE | 12-05-97 | |
| TOLERANCES UNLESS OTHERWISE SPECIFIED: | | APVD | A. SHARPE | 12-05-97 | |
| 0 PLC ±- 1 PLC ±- 2 PLC ±.02 [0.51] 3 PLC ±.005 [0.13] 4 PLC ±- ANGLES ±- | | PRODUCT SPEC | - | | |
| MATERIAL | 3 | FINISH | 4 | WEIGHT | - |
| CUSTOMER DRAWING | | SIZE | A2 | CAGE CODE | 00779 |
| | | DRAWING NO | C=213122 | | RESTRICTED TO |
| | | SCALE | 10:1 | SHEET | 1 OF 1 |
| | | REV | 0 | | |

213122

单击下面可查看定价，库存，交付和生命周期等信息

[>>TE Connectivity\(泰科\)](#)