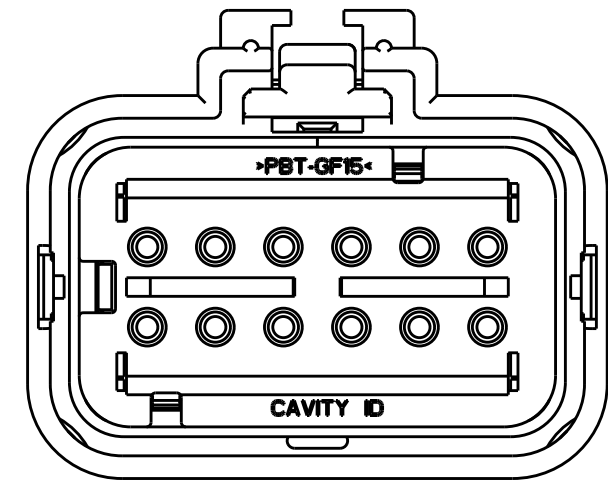
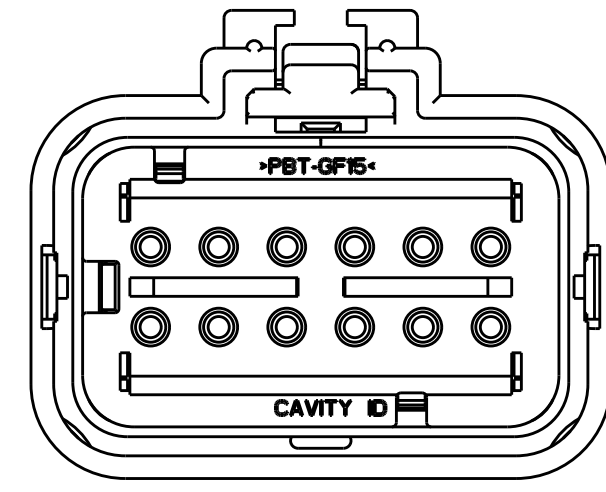


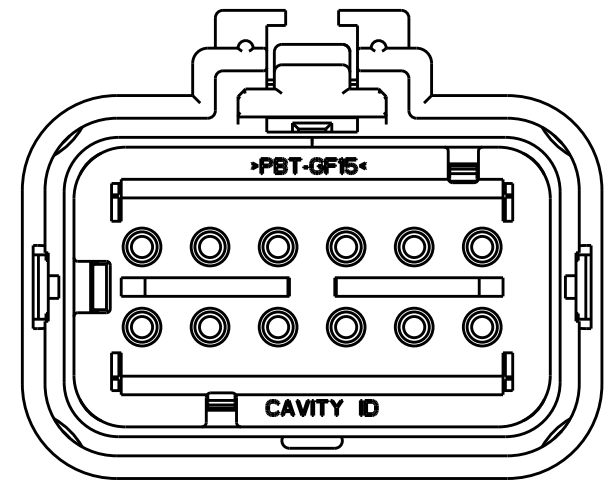
REVISIONS				
P	LTR	DESCRIPTION	DATE	APVD
A		INITIAL RELEASE PER D09-004	10MAR2009	DD RB
B		REVISED PER ECO-13-019865	27DEC2013	DR RB



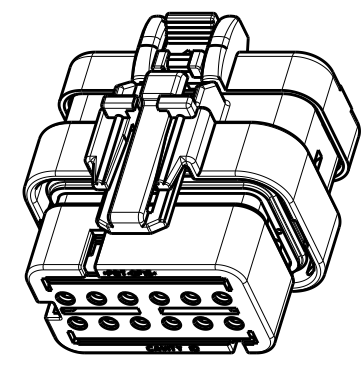
2035559-2  
 (KEY B)  
 SCALE 2:1



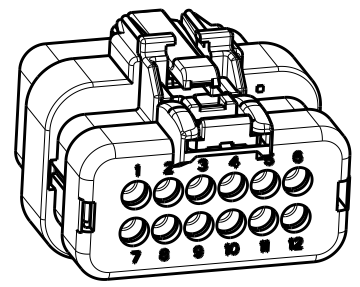
2035559-3  
 (KEY C)  
 SCALE 2:1



2035559-4  
 (KEY D)  
 SCALE 2:1

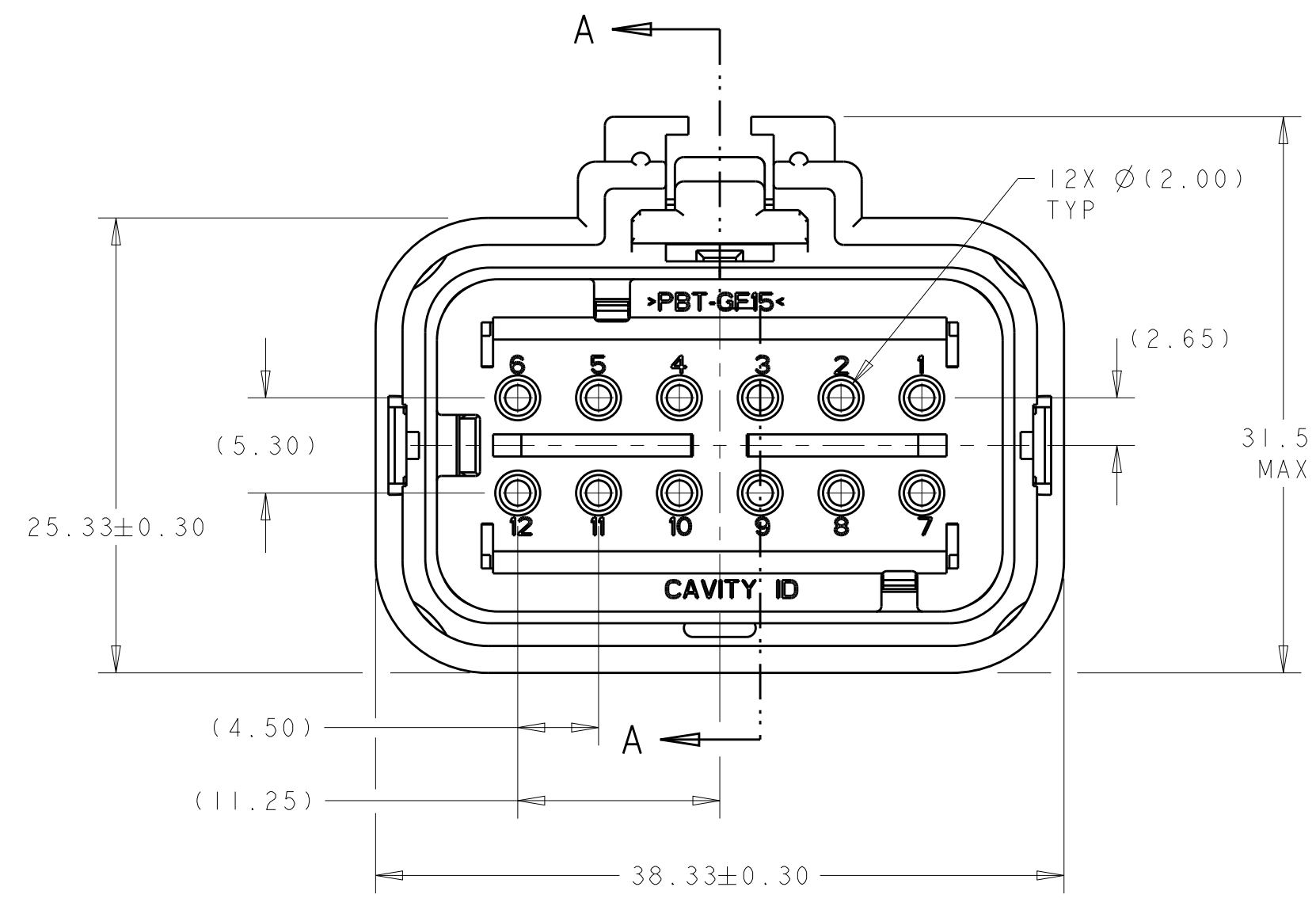


SCALE 1:1

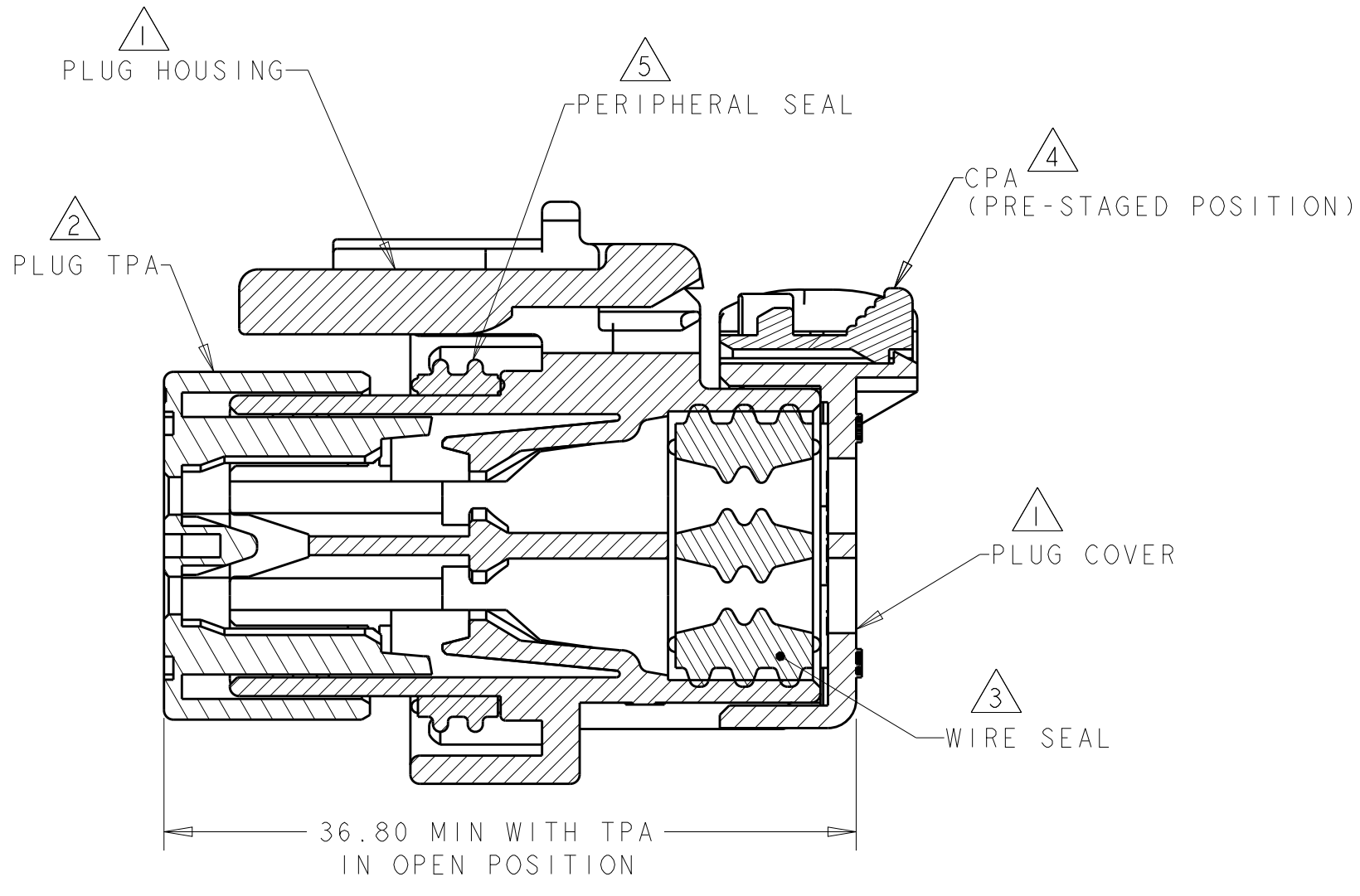


SCALE 1:1

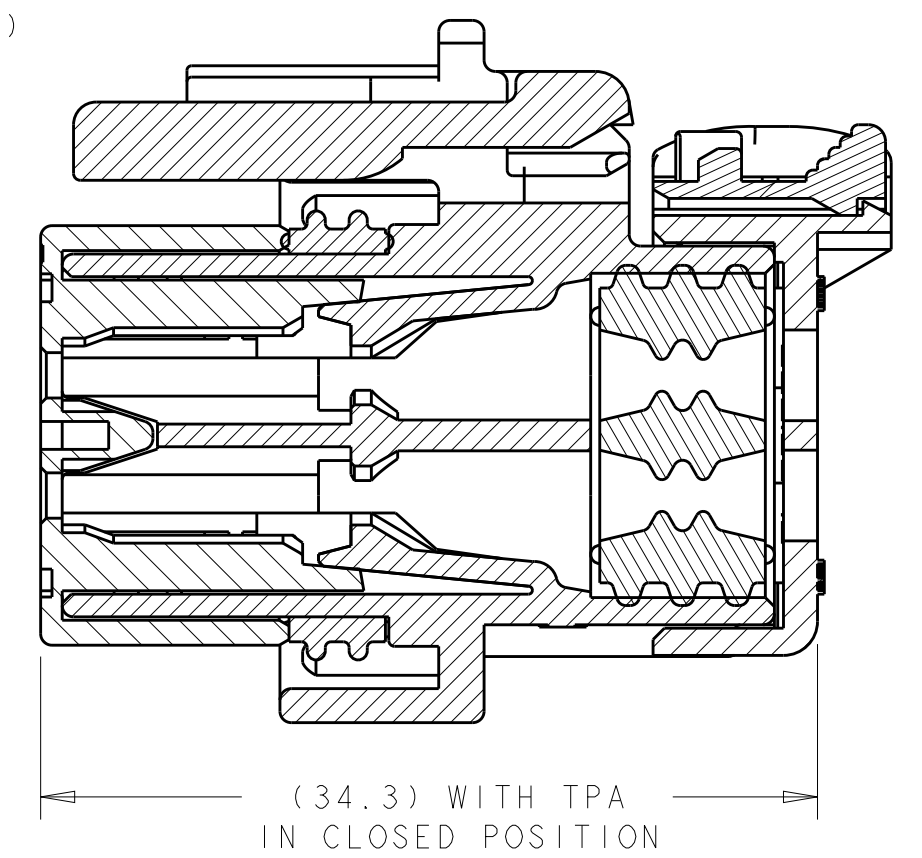
- 1 MATERIAL: 25% GLASS FILLED, NYLON 6/6, VO  
 COLOR: NATURAL (BROWN)
  - 2 MATERIAL: 20% GLASS FILLED, PBT, VO  
 COLOR: (SEE TABLE)
  - 3 MATERIAL: SILICONE  
 COLOR: GREEN
  - 4 MATERIAL: 20% GLASS FILLED THERMOPLASTIC  
 COLOR: ORANGE
  - 5 MATERIAL: SILICONE  
 COLOR: TAN
6. RECOMMENDED WIRE DIAMETER RANGE:  
 2.18 TO 3.67mm.



2035559-1 SHOWN  
 (KEY A)



SECTION A-A



SECTION A-A

TAN	D	2035559-4
BLUE	C	2035559-3
PURPLE	B	2035559-2
ORANGE	A	2035559-1
TPA COLOR	KEY	PART NUMBER

THIS DRAWING IS A CONTROLLED DOCUMENT.

DIMENSIONS:	TOLERANCES UNLESS OTHERWISE SPECIFIED:	DWN	06FEB2009	TE Connectivity NAME: PLUG ASSEMBLY, 12 POSITION, DUAL ROW, AMPSEAL 16, VO			
mm	0 PLC ±	CHK	06FEB2009				
	1 PLC ±	APVD	06FEB2009				
	2 PLC ±0.20	PRODUCT SPEC	108-2184				
	3 PLC ±	APPLICATION SPEC	114-13065	SIZE	CAGE CODE	DRAWING NO	RESTRICTED TO
	4 PLC ±	WEIGHT	20 ± 1g	A2	00779	C-2035559	-
MATERIAL	FINISH	CUSTOMER DRAWING		SCALE	3:1	SHEET	OF
-	-						REV B

单击下面可查看定价，库存，交付和生命周期等信息

[>>TE Connectivity\(泰科\)](#)