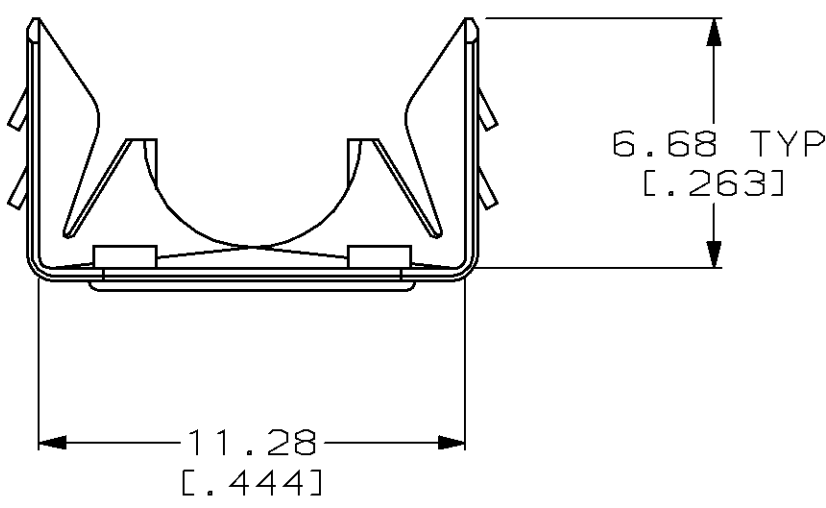
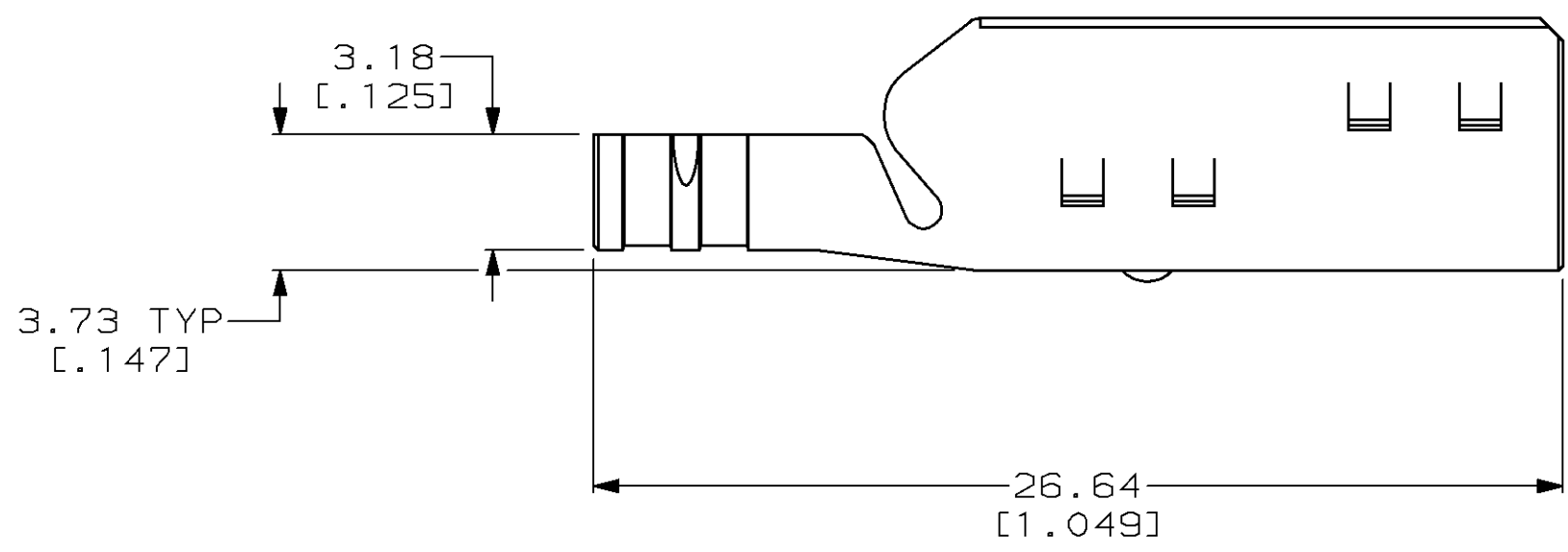
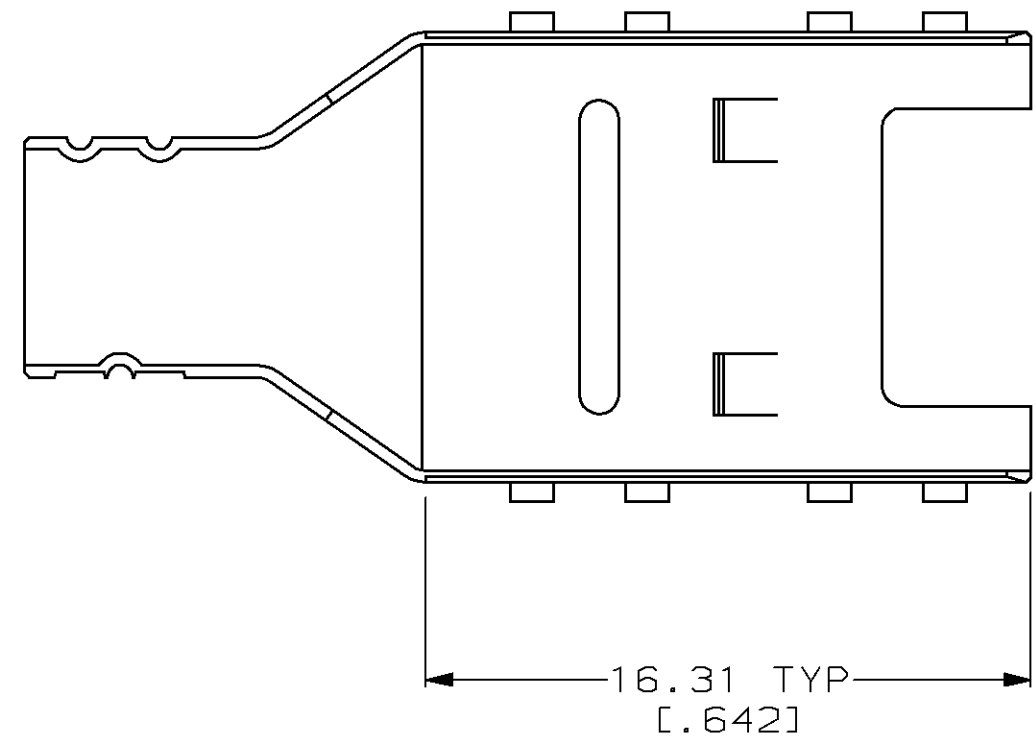


THIS DRAWING IS UNPUBLISHED. RELEASED FOR PUBLICATION ,19 .
 © COPYRIGHT 19 BY AMP INCORPORATED. ALL INTERNATIONAL RIGHTS RESERVED.

LOC	DIST	P	F	ZONE	LTR	DESCRIPTION	DATE	APPD
BD	50				D	REDRAWN	9/27/90	-
					E	REV PER ECN BD5592	11/21/91	-
					F	REV PER EC 0410-251-97	22 SEP 97	JDS

1. THIS PART TO BE USED WITH:
 PLUG ASSEMBLY 520424-2 (ALL KEY PREFIXES)
 TOP SHIELD 520462-1

FERRULE	CABLE DIAMETER
520434-1	5.08-4.27 [.200-.168]
520435-1	5.84-4.83 [.230-.190]



520463-1
 PART NUMBER

DO NOT SCALE PRINT. UNLESS SPECIFIED DIMENSIONS IN mm [INCHES] TOLERANCES ON : 2 PLC DEC ± 0.38 [.015] 3 PLC DEC ± - ANGLES ± -		DR 9/27/90 A.STAUB BG		AMP Incorporated Harrisburg, PA 17105-3608	
MATERIAL 0.320 [.0126] CARBON STEEL		CHK 2-25-91 R.STONE			
FINISH 3.81 µm [.000150] MIN TIN OVER 2.54 µm [.000100] MIN COPPER		APPD 2-27-91 J.PRITULSKY		NAME SHELL, BOTTOM HALF, 6 POSITION, SDL	
APPLICATION SPEC -		APPD - -		SIZE C	CAGE CODE 00779
WEIGHT -		PRODUCT SPEC -		DRAWING NO 520463	SHEET 1 OF 1
		SCALE 5:1		CUSTOMER DRAWING	

单击下面可查看定价，库存，交付和生命周期等信息

[>>TE Connectivity\(泰科\)](#)