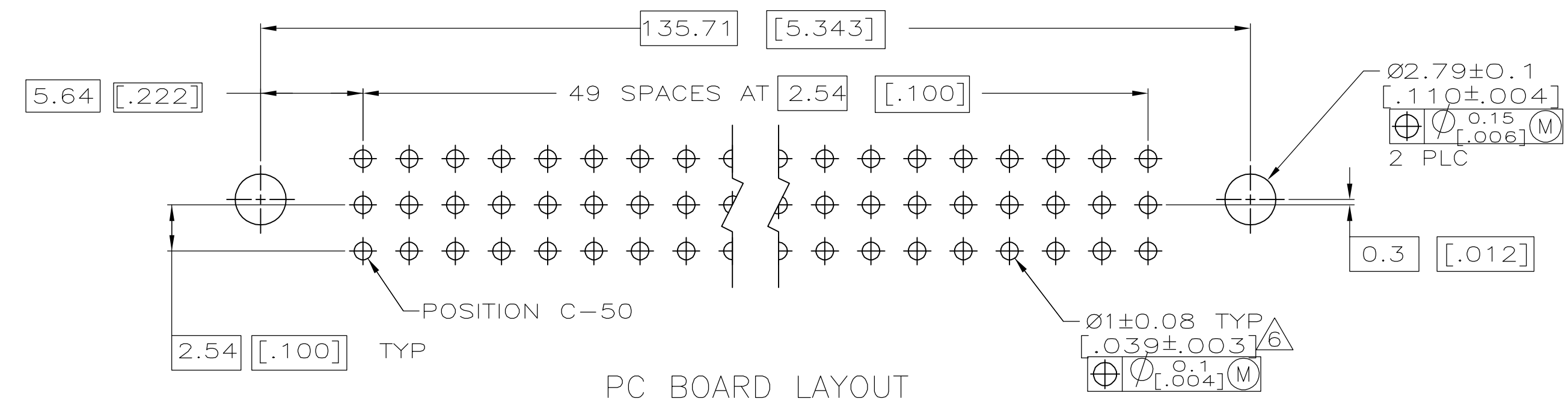
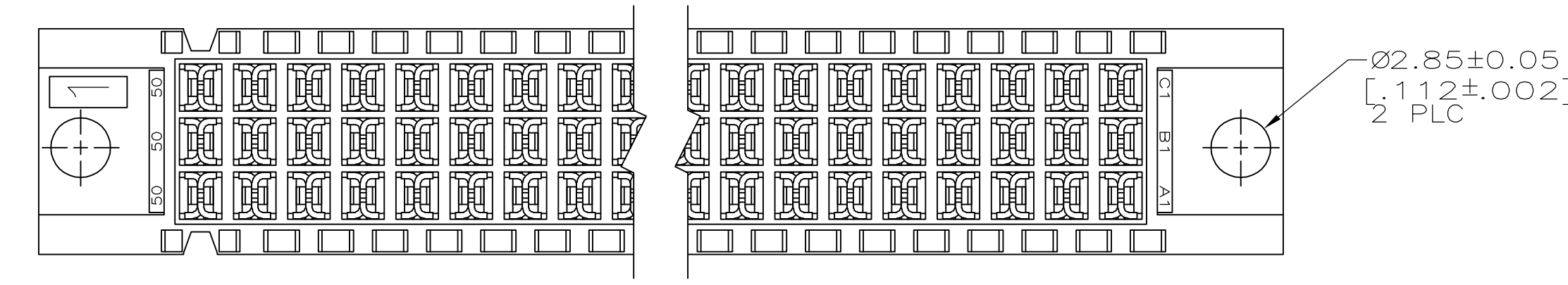
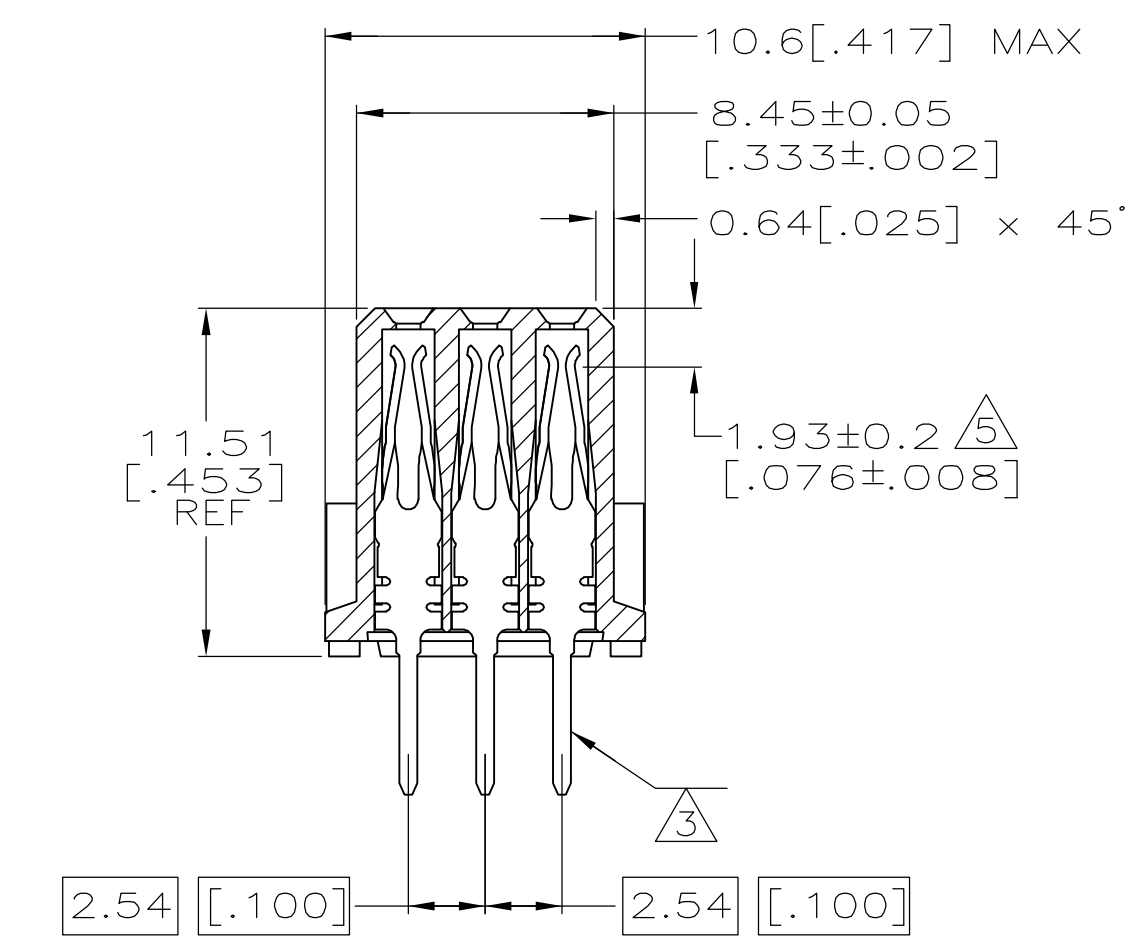
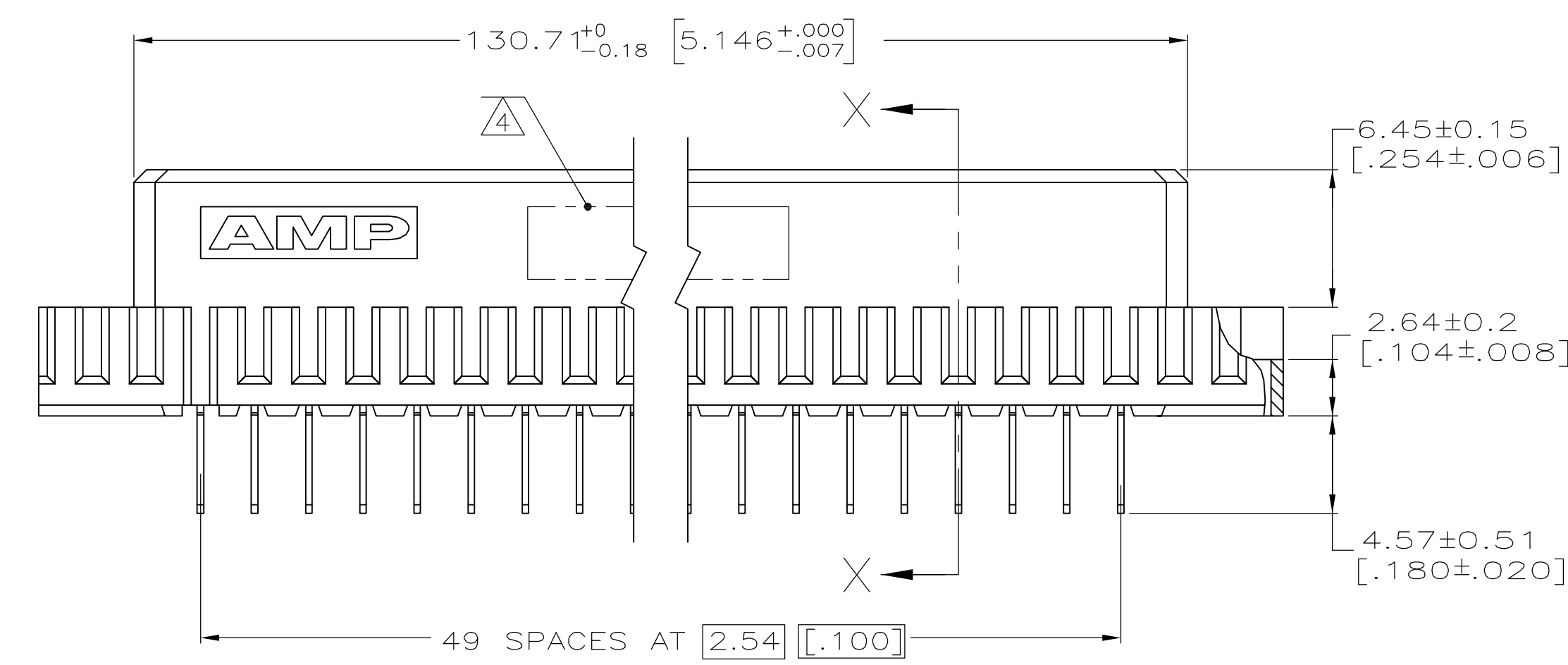
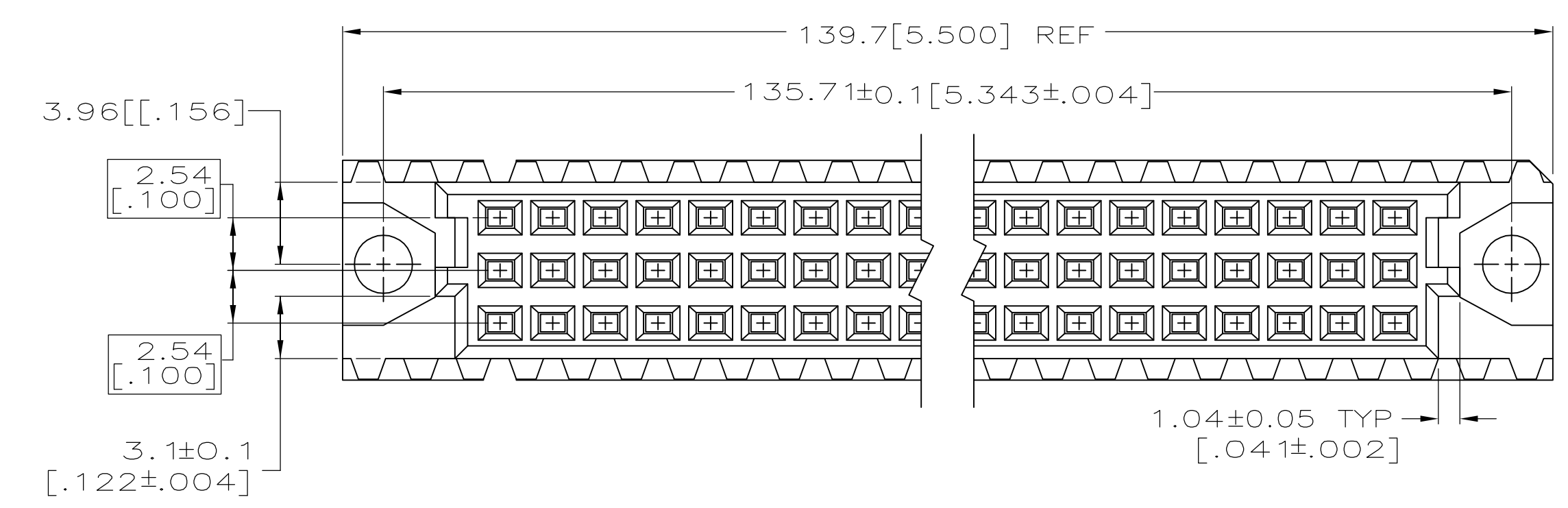


- 1 HOUSING MATERIAL: GLASS-FILLED POLYMER.
- 2 CONTACT MATERIAL: COPPER ALLOY.
- 3 CONTACT FINISH: DIN 41612 CLASS 2 IN CONTACT AREA. TIN PLATE ON POSTS.
- 4 PART NUMBER, DATE CODE IDENTIFICATION, CSA LOGO IN THIS APPROXIMATE AREA.
- 5 CONTACT POINT.
- 6 RECOMMENDED HOLE SIZE FOR MANUAL APPLICATION OF CONNECTOR ONTO PC BOARD.



| | | | | | |
|------------------|---|---|---|-------------------------|-------------|
| 1-50 | X | X | X | 150 | 5650406-5 |
| POSITIONS LOADED | C | B | A | NO. OF LOADED POSITIONS | PART NUMBER |
| | | | | | |

| | | | |
|--|-----------|--------------------------|---|
| THIS DRAWING IS A CONTROLLED DOCUMENT. | | DIN J. POLIGNONE 01SEP05 | Tyco Electronics Corporation Harrisburg, PA 17105-3608 |
| DIMENSIONS: mm [INCHES] | | CIK A. SHARPE 01SEP05 | |
| TOLERANCES UNLESS OTHERWISE SPECIFIED: | | APVD A. SHARPE 01SEP05 | NAME |
| 0 PLC ± - | 1 PLC ± - | 2 PLC ± - | ASSEMBLY, RECEPTACLE, EUROCARD, TYPE C, 150 POSITION, 4.57 [0.180] SOLDER POSTS |
| 3 PLC ± 0.1 [0.005] | 4 PLC ± - | ANGLES ± - | APPLICATION SPEC |
| MATERIAL | | FINISH | SIZE |
| 1 2 | | 3 | A1 00779 C=5650406 |
| CUSTOMER DRAWING | | SCALE 4:1 | SHEET 1 OF 1 REV 0 |

单击下面可查看定价，库存，交付和生命周期等信息

[>>TE Connectivity\(泰科\)](#)