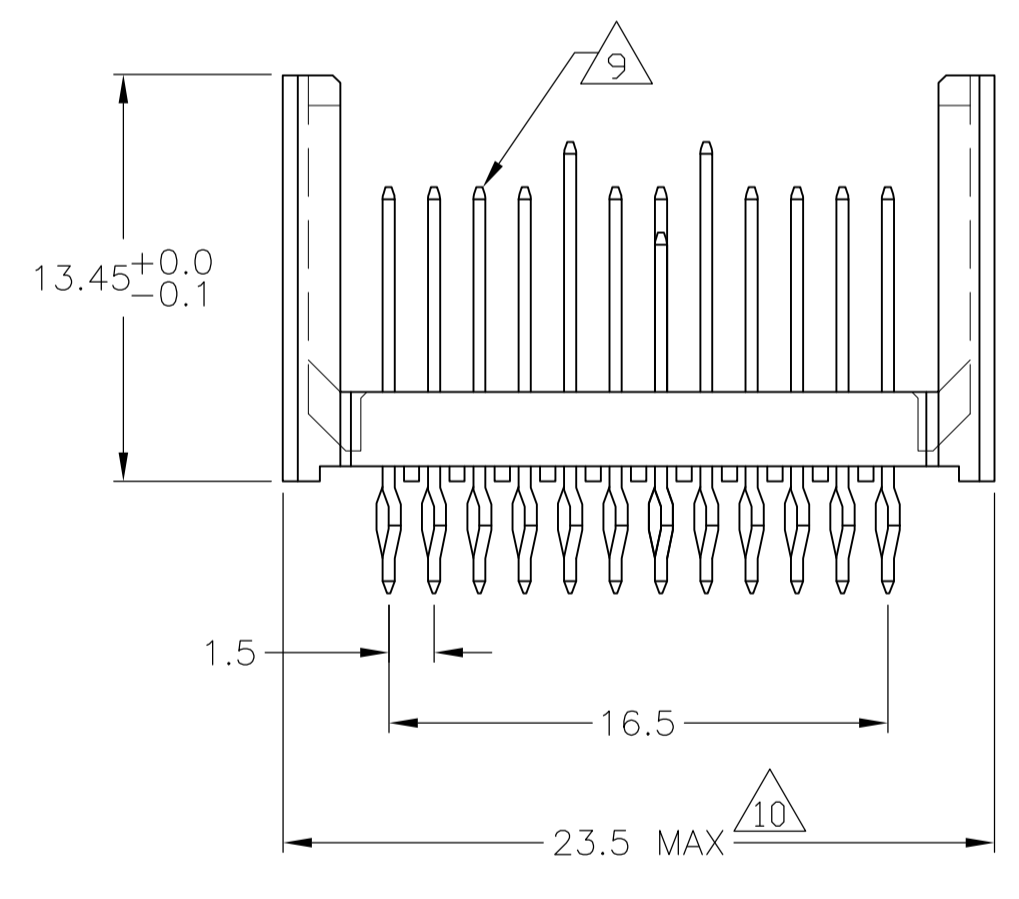
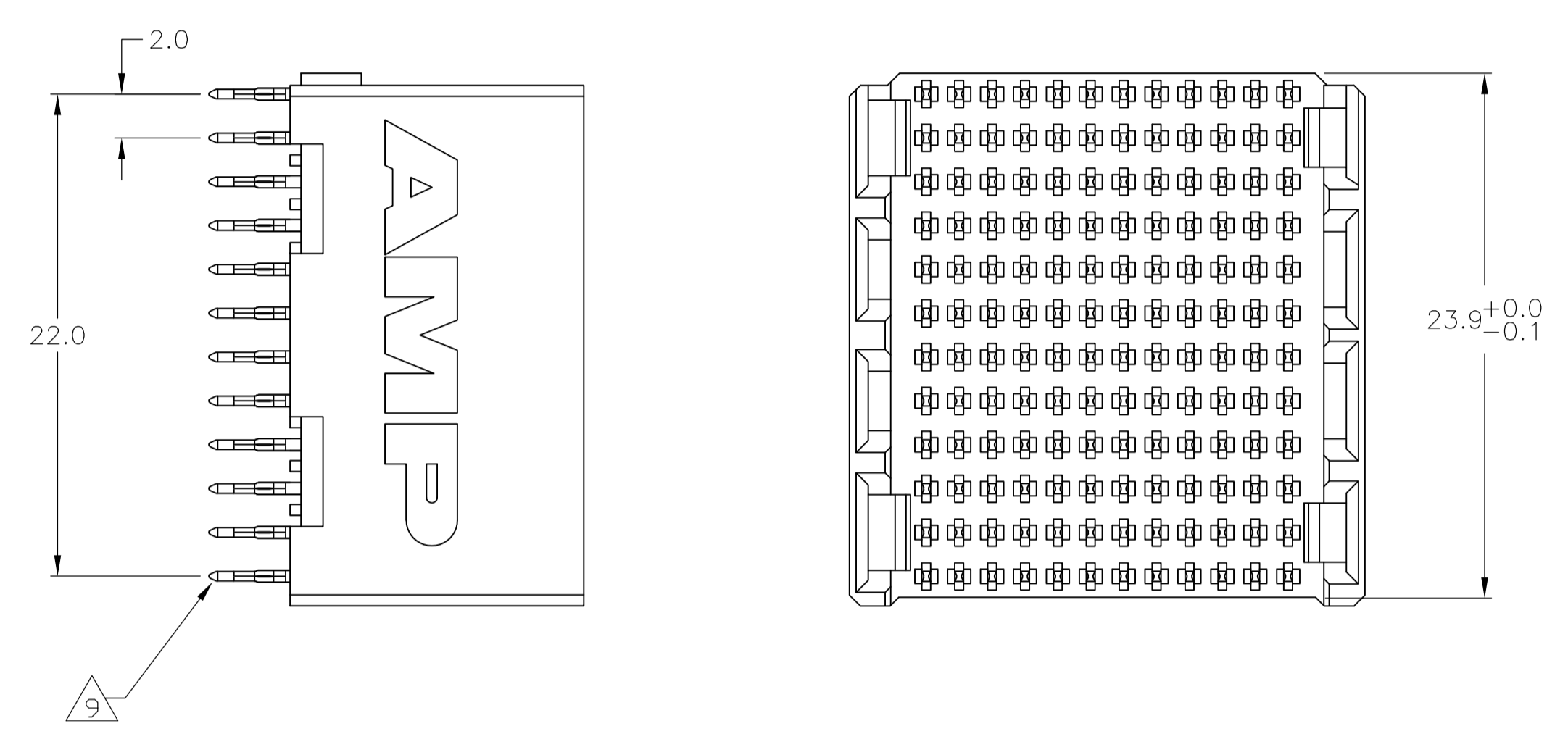
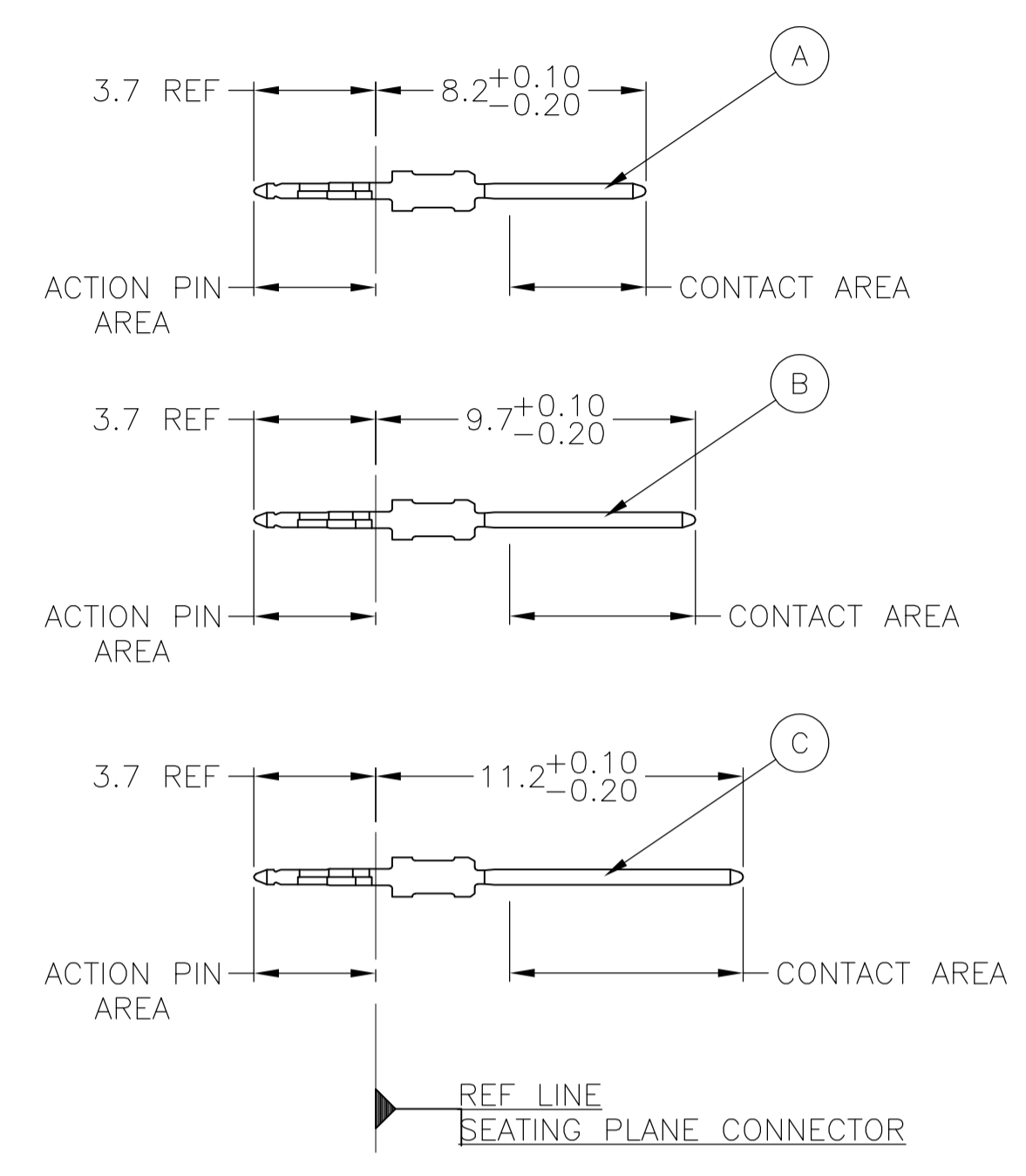


LOC		DIST		REVISIONS			
AD	00	P	LTR	DESCRIPTION	DATE	DWN	APVD
C				ECR-12-007782	26APR12	AZ	AC

CONNECTOR ASSEMBLY EXAMPLARY LOADED $\triangle 8$



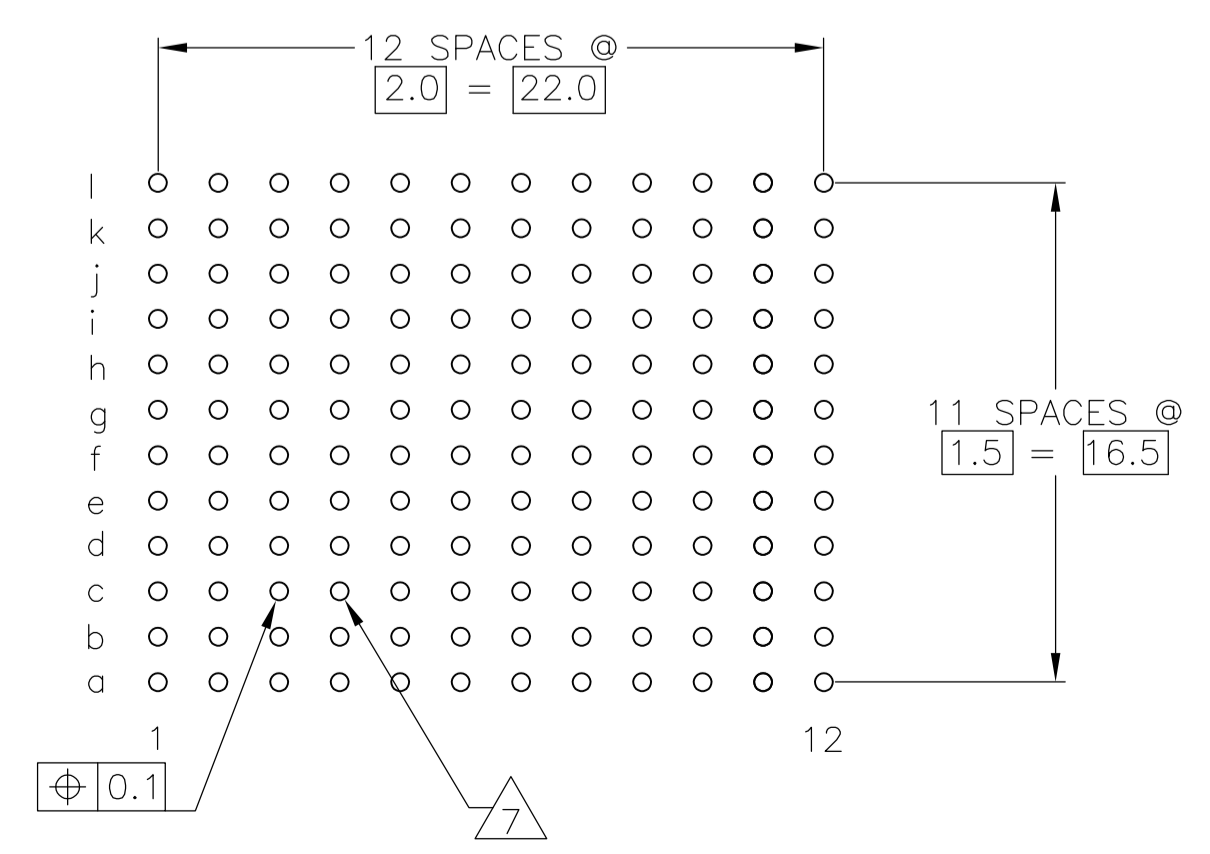
CONTACT DIMENSIONS SCALE 5:1



CONTACT LAYOUT

	a	b	c	d	e	f	g	h	i	j	k	l
1	B	B	B	B	C	A	B	C	B	B	B	B
2	B	B	B	B	C	B	B	C	B	B	B	B
3	B	B	B	B	C	B	B	C	B	B	B	B
4	B	B	B	B	C	B	B	C	B	B	B	B
5	B	B	B	B	C	B	B	C	B	B	B	B
6	B	B	B	B	C	B	B	C	B	B	B	B
7	B	B	B	B	C	B	B	C	B	B	B	B
8	B	B	B	B	C	B	B	C	B	B	B	B
9	B	B	B	B	C	B	B	C	B	B	B	B
10	B	B	B	B	C	B	B	C	B	B	B	B
11	B	B	B	B	C	B	B	C	B	B	B	B
12	B	B	B	B	C	B	A	C	B	B	B	B

RECOMMENDED PCB-HOLE LAYOUT COMPONENT SIDE SHOWN



PLATED THRU HOLES PARAMETERS REFERENCE APPLICATION SPECIFICATION

$\triangle 2$	$\triangle 6$	$\triangle 11$	1-5120652-9
$\triangle 2$	$\triangle 5$	$\triangle 11$	5120652-9
$\triangle 2$	$\triangle 4$		5120652-4
$\triangle 2$	$\triangle 3$		5120652-1
FINISH		PART NUMBER	

THIS DRAWING IS A CONTROLLED DOCUMENT.

DIMENSIONS: mm	TOLERANCES UNLESS OTHERWISE SPECIFIED:	DIN B CARBO 26MAY05	tyco Electronics Tyco Electronics Corporation Harrisburg, Pa 17105-3608
ϕ	0. PLC \pm -	CHK G SKIPPER 26MAY05	NAME MALE ASSEMBLY, Z-PACK 2mm HM, TYPE B, 12 ROW
	1. PLC \pm 0.1	APVD G SKIPPER 26MAY05	PRODUCT SPEC 108-1738
	2. PLC \pm -		APPLICATION SPEC 114-1132
	3. PLC \pm -		SIZE A1
	4. PLC ANGLES \pm -		WEIGHT -
MATERIAL $\triangle 1$	FINISH SEE TABLE	RESTRICTED TO	CUSTOMER DRAWING
		SCALE 4:1	SHEET 1 OF 2

LOC	DIST	REVISIONS			
P	LTR	DESCRIPTION	DATE	DN	APVD
AD	00	SEE SHEET 1	-	-	-

- 1 MATERIAL:
CONTACT: PHOSPHOR BRONZE.
HOUSING: GLASS-FILLED POLYESTER.
- 2 GENERAL PLATING SPECIFICATION: UNDERPLATING
(ENTIRE CONTACT): 1.27µm MIN NICKEL AND ACTION
PIN: 0.5µm MIN TIN.
FOR PLATING OF MATING SURFACES SEE APPLICABLE
SPECIFICATION REFERENCE FOR EACH DASH NUMBER.
- 3 CONFORMS TO ALL TESTING ACCORDING TO IEC 61076-4-101
PERFORMANCE LEVEL 2.
- 4 CONFORMS TO ALL TESTING ACCORDING TO IEC 61076-4-101
PERFORMANCE LEVEL 1.
- 5 CONNECTOR TESTED AND QUALIFIED AGAINST TELCORDIA GR-1217-CORE QUALITY LEVEL 3,
CENTRAL OFFICE APPLICATIONS.
- 6 CONNECTOR TESTED AND QUALIFIED AGAINST TELCORDIA GR-1217-CORE QUALITY LEVEL 3,
UNCONTROLLED ENVIROMENT APPLICATIONS.
- 7 PLATED-THROUGH HOLES AT 2x2mm SQUARE GRID
PATTERN DEFINED BY CONTACT LAYOUT.
- 8 FOR ACTUAL PIN LOADING SEE "CONTACT LAYOUT".
- 9 FOR ACTUAL PIN DIMENSIONS SEE "CONTACT DIMENSIONS".
- 10 TO BE MEASURED AT BOTTOM OF SHROUD.
- 11 CONNECTOR LUBRICATED WITH BELCORE APPROVED LUBRICANT,
TECHNICAL REFERENCE: TR-NWT-001217 ISSUE 1, SEP 1992.

THIS DRAWING IS A CONTROLLED DOCUMENT.		DIN E CARBO	26MAY05	tyco Electronics	Tyco Electronics Corporation Harrisburg, Pa 17105-3608	
DIMENSIONS: mm		CIK G SKIPPER	26MAY05		NAME	MALE ASSEMBLY, Z-PACK 2mm HM, TYPE B, 12 ROW
TOLERANCES UNLESS OTHERWISE SPECIFIED:		APVD G SKIPPER	26MAY05	PRODUCT SPEC	108-1738	
0 PLC ± -				APPLICATION SPEC	114-1132	
1 PLC ± 0.1				SIZE	A1	
2 PLC ± -				CAGE CODE	00779	
3 PLC ± -				DRAWING NO	5120652	
4 PLC ± -				RESTRICTED TO	-	
ANGLES ± ±				WEIGHT	-	
MATERIAL SEE SHEET 1	FINISH SEE SHEET 1	CUSTOMER DRAWING		SCALE	4:1	
				SHEET	2 OF 2	
				REV	C	

单击下面可查看定价，库存，交付和生命周期等信息

[>>TE Connectivity\(泰科\)](#)