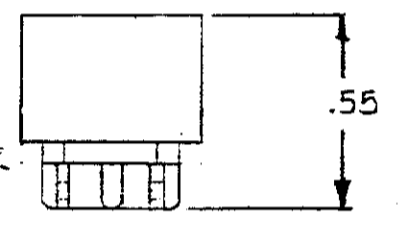
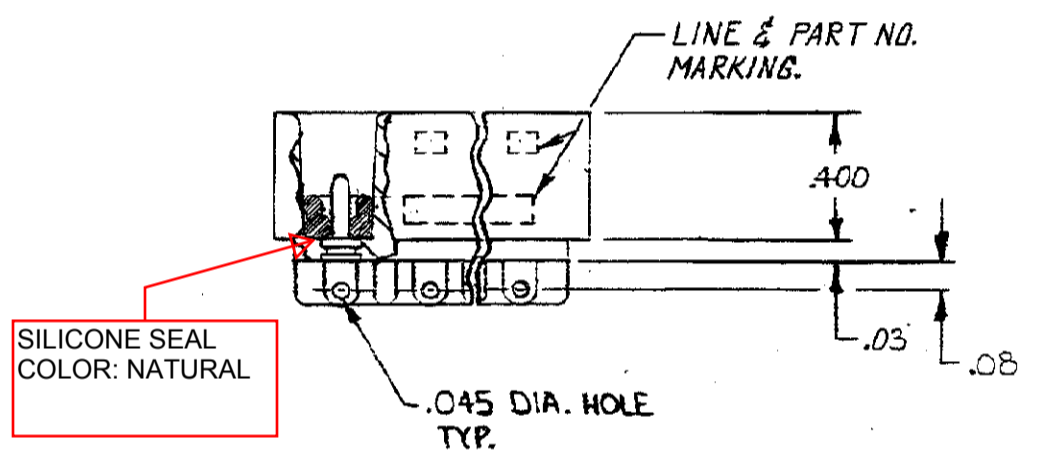
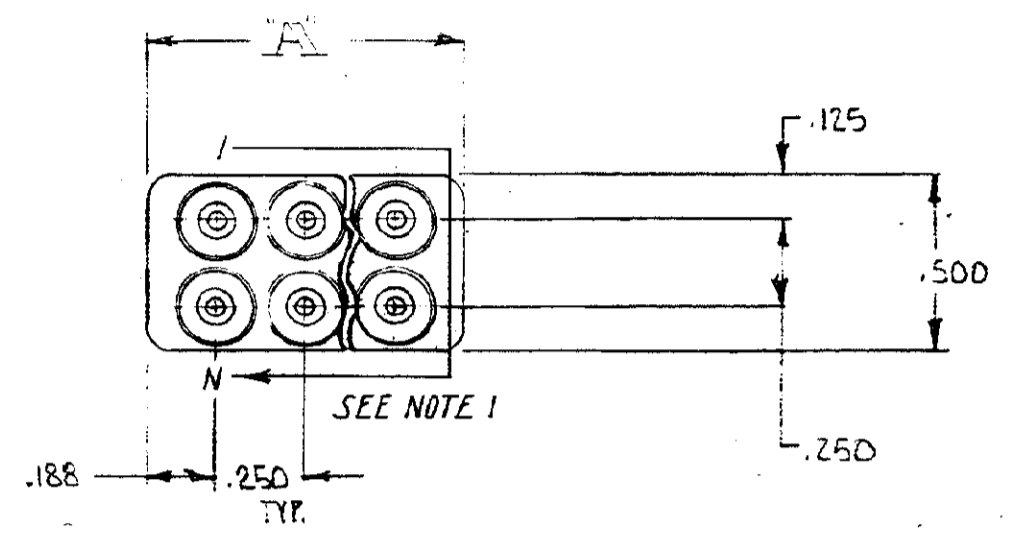


© COPYRIGHT 1977 BY AMP INCORPORATED, HARRISBURG, PA. ALL INTERNATIONAL RIGHTS RESERVED. AMP INCORPORATED PRODUCTS COVERED BY U. S. AND FOREIGN PATENTS AND/OR PATENTS PENDING.

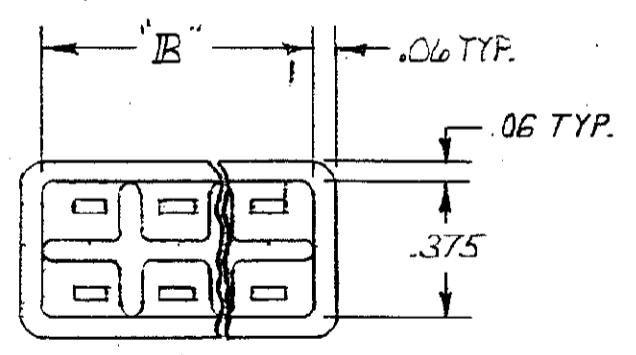
UNPUBLISHED COPY NOT TO BE REPRODUCED NOR PUBLISHED WITHOUT WRITTEN PERMISSION OF AMP INCORPORATED.

| REVISIONS | | | | | |
|-----------|---|------|-----|--|---------------|
| P | F | ZONE | LTR | DESCRIPTION | DATE APPROVED |
| | | | | SK-50858C | 9-10-77 |
| | | | | RELEASED FOR PROD. | RN 9-12-77 |
| | | A | | ADDED NOTE I & MARKING ECN 8180 | 10-28-77 |
| | | C-3 | B | .400 WAS .370, .03 WAS .06, ECN 8192, DS | 11-16-77 |
| | | | C | REV. PER ECN 8227 | RN 2-15-78 |
| | | | D | UP-DATED ECN 8384 | RGR 9-6-78 |
| | | | E | OBSOLETE -5 ECN L1556 REACTIVATED -5 ECN S 3524 | 4-7-87 |
| | | | F | REV PER ECO-10-017059 | 12-10 DE |



| AMP P/N | CONTACT | "A" DIM. | "B" DIM. |
|----------|---------|----------|----------|
| 863773-1 | 2 | .375 | .250 |
| 863773-2 | 4 | .625 | .500 |
| 863773-3 | 6 | .875 | .750 |
| 863773-4 | 8 | 1.125 | 1.000 |
| 863773-5 | 10 | 1.375 | 1.250 |
| 863773-6 | 12 | 1.625 | 1.500 |

1. LINE NUMBERS ARE MARKED ON THE SIDES COUNTING FROM 1 TO N AS SHOWN (N=NUMBER OF CONTACTS).



| | | | | | | | | | | | |
|-----------|--|-------------|--|---|--|--|--|---|--|----------------------------|--|
| | | | | UNLESS OTHERWISE SPECIFIED DIMENSIONS ARE IN INCHES. TOLERANCES: .00 ± .02, .000 ± .005 ANGLES ± | | CONTRACT NO DR <i>R. E. Fry</i> 8-3-77 CHK | | AMP INCORPORATED Elizabethtown, Pa. | | | |
| | | | | MATERIAL MOLDED GLASS EPOXY | | APPD <i>H. H. H.</i> 8-3-77 APPD <i>R. E. Fry</i> 9-21-77 | | NAME PIN HOUSING ASSEMBLY | | | |
| | | | | FINISH BLACK | | DSGN APPD | | SIZE CODE IDENT NO DRAWING NO C 00779 863773 | | | |
| NEXT ASSY | | FINAL ASSY | | NEXT ASSY | | USED ON | | OTHER APPD | | | |
| QTY REQD | | APPLICATION | | | | | | | | SCALE ~ SHEET 1 OF 1 REV F | |

UP-DATE

单击下面可查看定价，库存，交付和生命周期等信息

[>>TE Connectivity\(泰科\)](#)