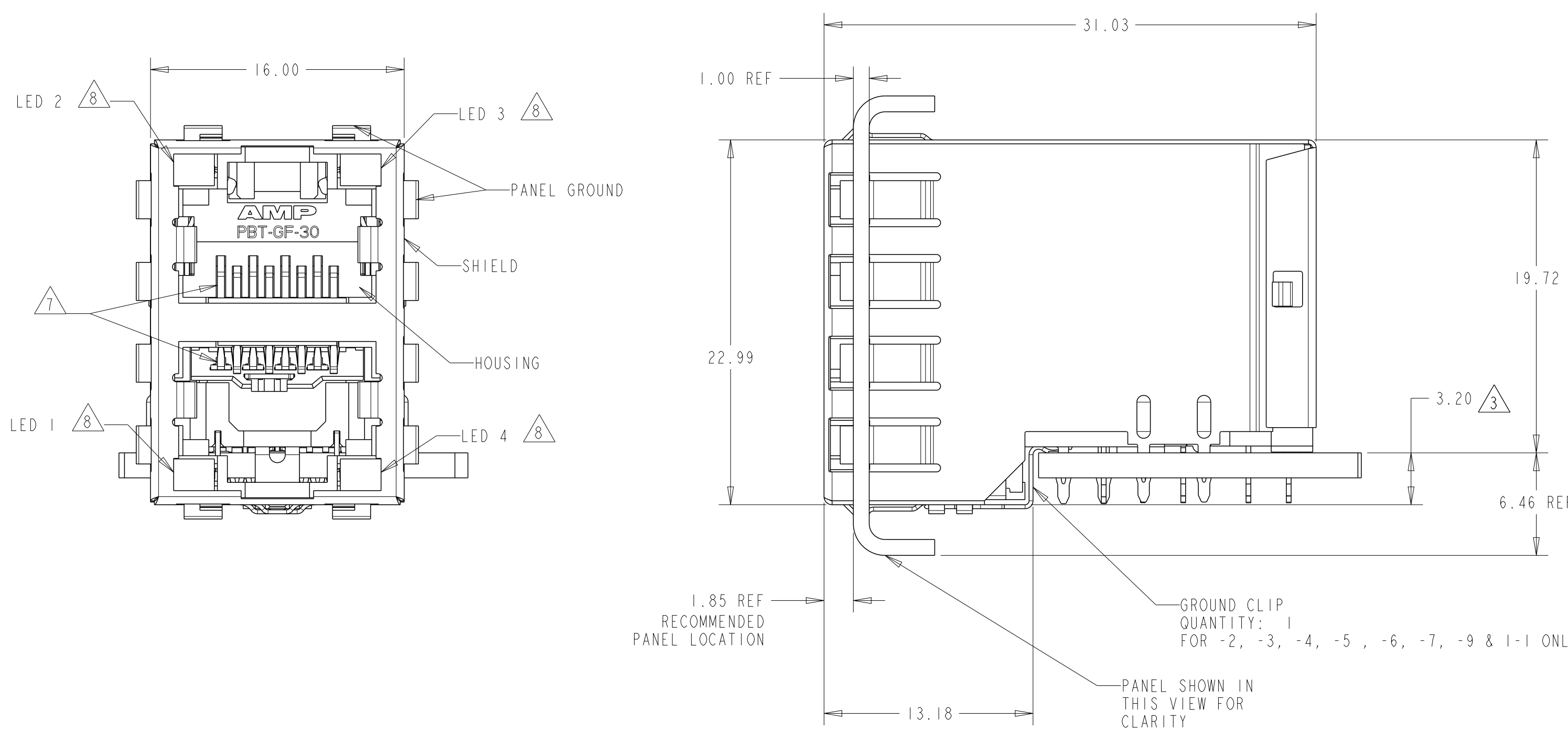
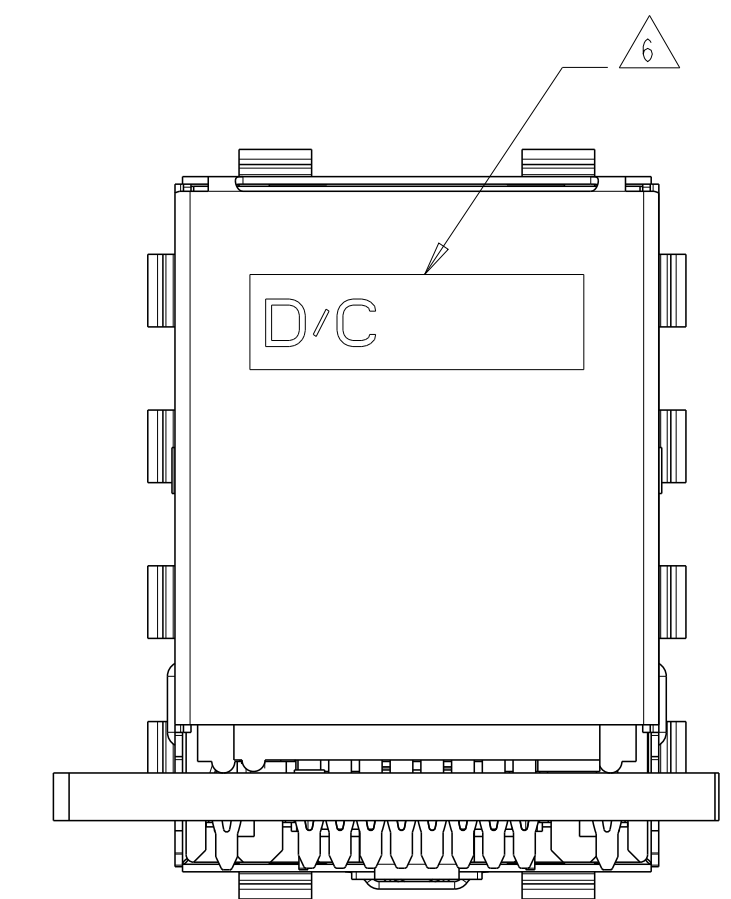


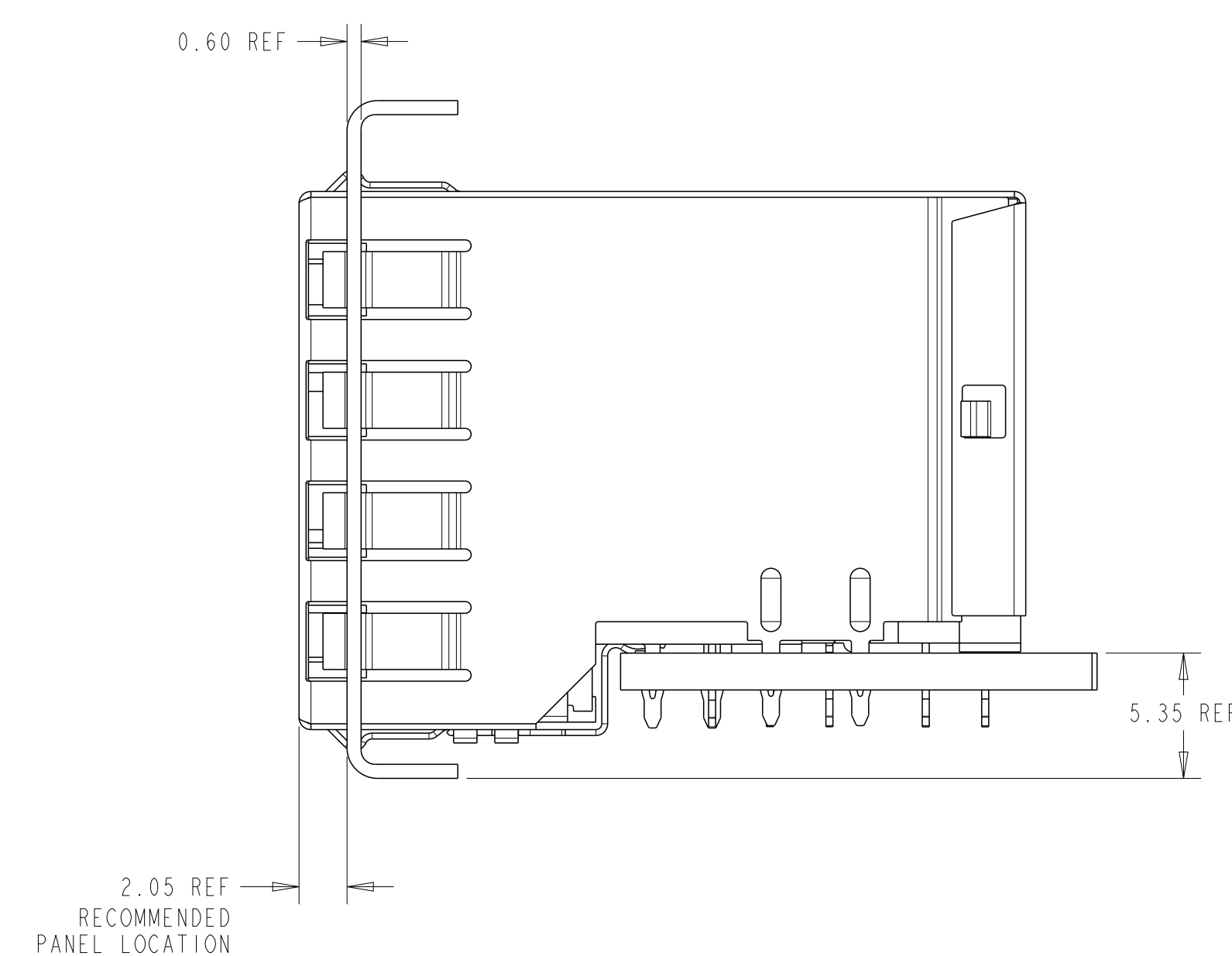
LOC		DIST		REVISIONS			
P	LTN	DESCRIPTION	DATE	OWN	APVD		
H	ECO-16-010145		11JUL2016	LL	SH		
J	ECO-16-011047		25JUL2016	LL	SH		
K	ECO-17-011372		04AUG2017	LL	SH		
L	ECN-21-115160		15JUL2021	AK	SZ		



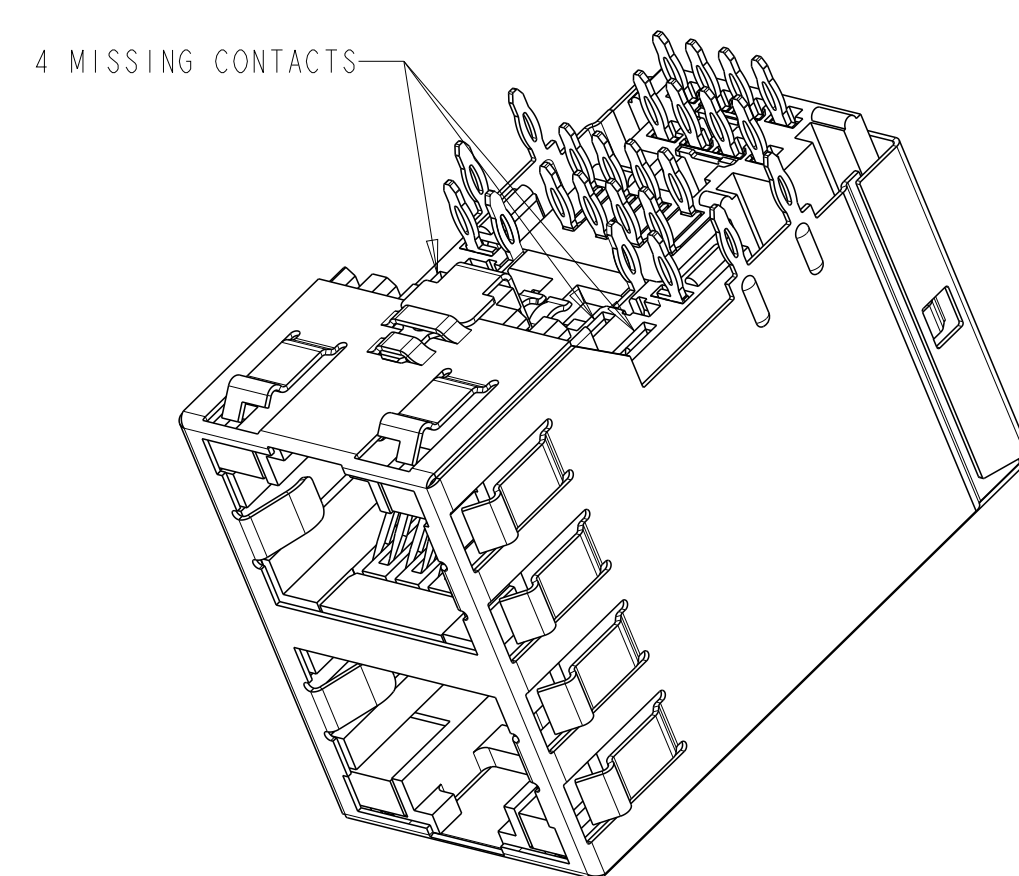
**ATCA PANEL AND PRINTED CIRCUIT BOARD ASSEMBLY LAYOUT**



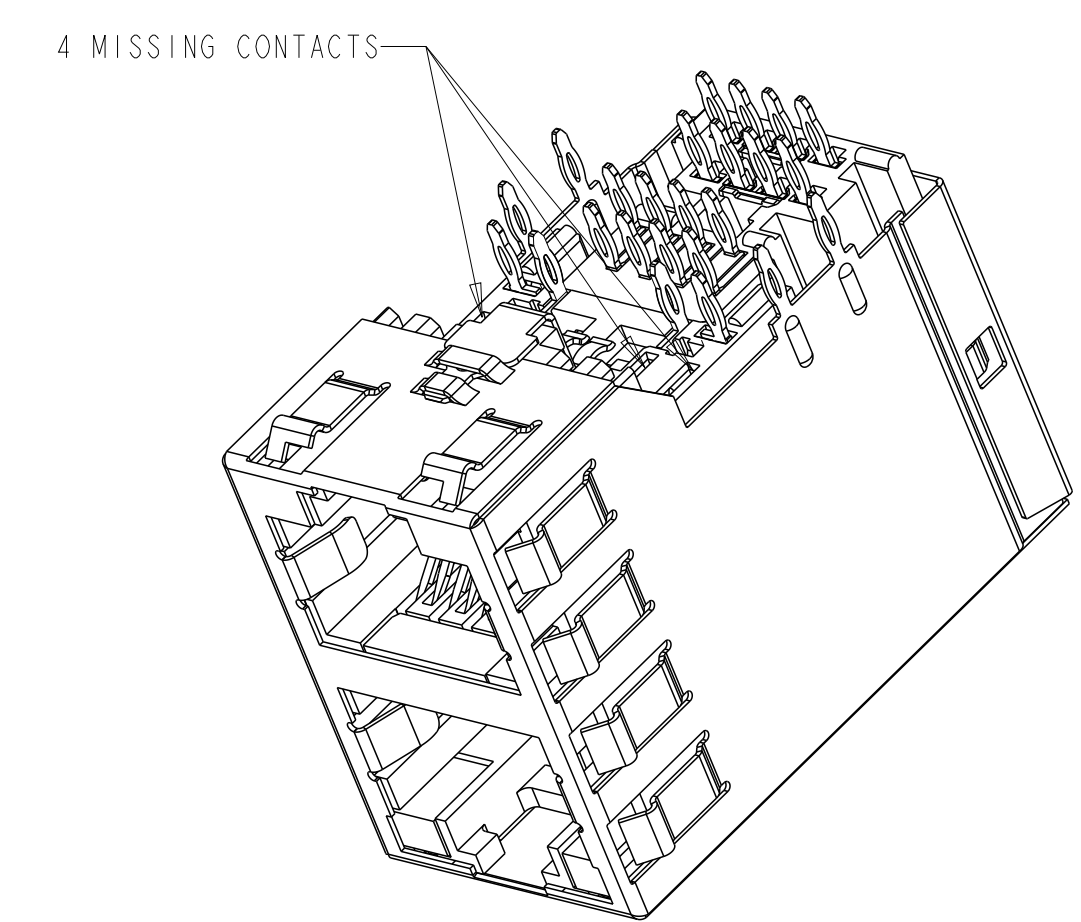
- MATERIAL:
  - HOUSING: PBT-POLYESTER, BLACK, UL 94V-0.
  - TERMINALS: 0.35 THICK PHOSPHOR BRONZE PLATED WITH 1.27um MINIMUM THICK HARD GOLD IN LOCALIZED AREA AND 2.0um MINIMUM THICK MATTE TIN IN ACTION PIN COMPLIANT PIN TERMINAL AREA OVER 1.27um MINIMUM THICK NICKEL UNDERPLATE.
  - SHIELD: 0.25 THICK COPPER ALLOY PLATED WITH 2.03um MINIMUM TIN OVER 1.27 um MINIMUM NICKEL
  - GROUNDING CLIP: 0.25 THICK COPPER ALLOY PRE-PLATED WITH 2.03um MINIMUM MATTE TIN OVER 1.27um MINIMUM NICKEL
  - LIGHT EMITTING DIODE (LED): DIFFUSED EPOXY LENS, 12.95 CARBON STEEL WIREFRAME LEADS PREPLATED WITH 8.89um THK. TIN/COPPER OVER 2.03um THK. SILVER OVER 1.02um COPPER OVER 3.56um THK. NICKEL OVER 1.02um THK. COPPER UNDERPLATE
  - LED ACTION PIN - COMPLIANT PIN CONTACTS: 0.3 THICK BRASS PLATED WITH 2um MINIMUM MATTE TIN OVER 1.27um MINIMUM NICKEL UNDERPLATE.
- JACK CAVITY CONFORMS TO FCC RULES AND REGULATIONS, PART 68 SUBPART F.
  - MAXIMUM PIN LENGTH 3.40 FROM TOP SURFACE OF PC BOARD.
  - FINISHED PLATED THRU HOLE DIAMETER - ANNULAR RING DIAMETER 1.3 TO 1.5
  - DATUMS AND BASIC DIMENSIONS ESTABLISHED BY CUSTOMER
  - DATE CODE LOCATED ON REAR OF PART APPROXIMATELY AS SHOWN
  - CONTACTS ARE NOT INTENDED TO BE ALIGNED WITH EACH OTHER
  - SUGGESTED OPERATING CURRENT FOR LEDS IS 20 mA
  - PCB THROUGH HOLES FOR LED #1 AND LED #4 ARE NOT REQUIRED FOR 1888653-5,6, I-1888653-1.
  - THE PN I-1888653-1 LED DOMINANT WAVELENGTH: GREEN 525nm TYP. YELLOW 590nm TYP.



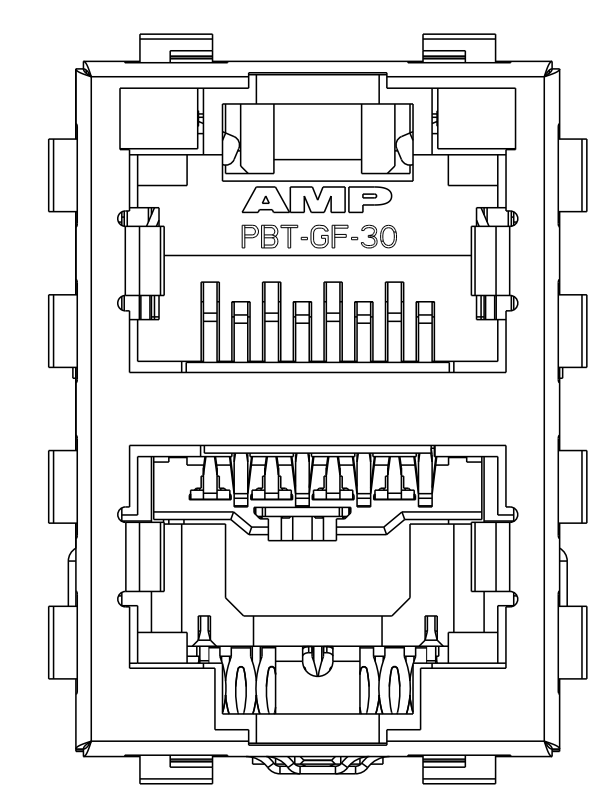
**AMC PANEL AND PRINTED CIRCUIT BOARD ASSEMBLY LAYOUT**



**1888653-5,-6**  
 (REPRESENTATION OF -5,-6 SHOWN IN THIS VIEW ONLY)



**I-1888653-1**  
 SCALE 3:1



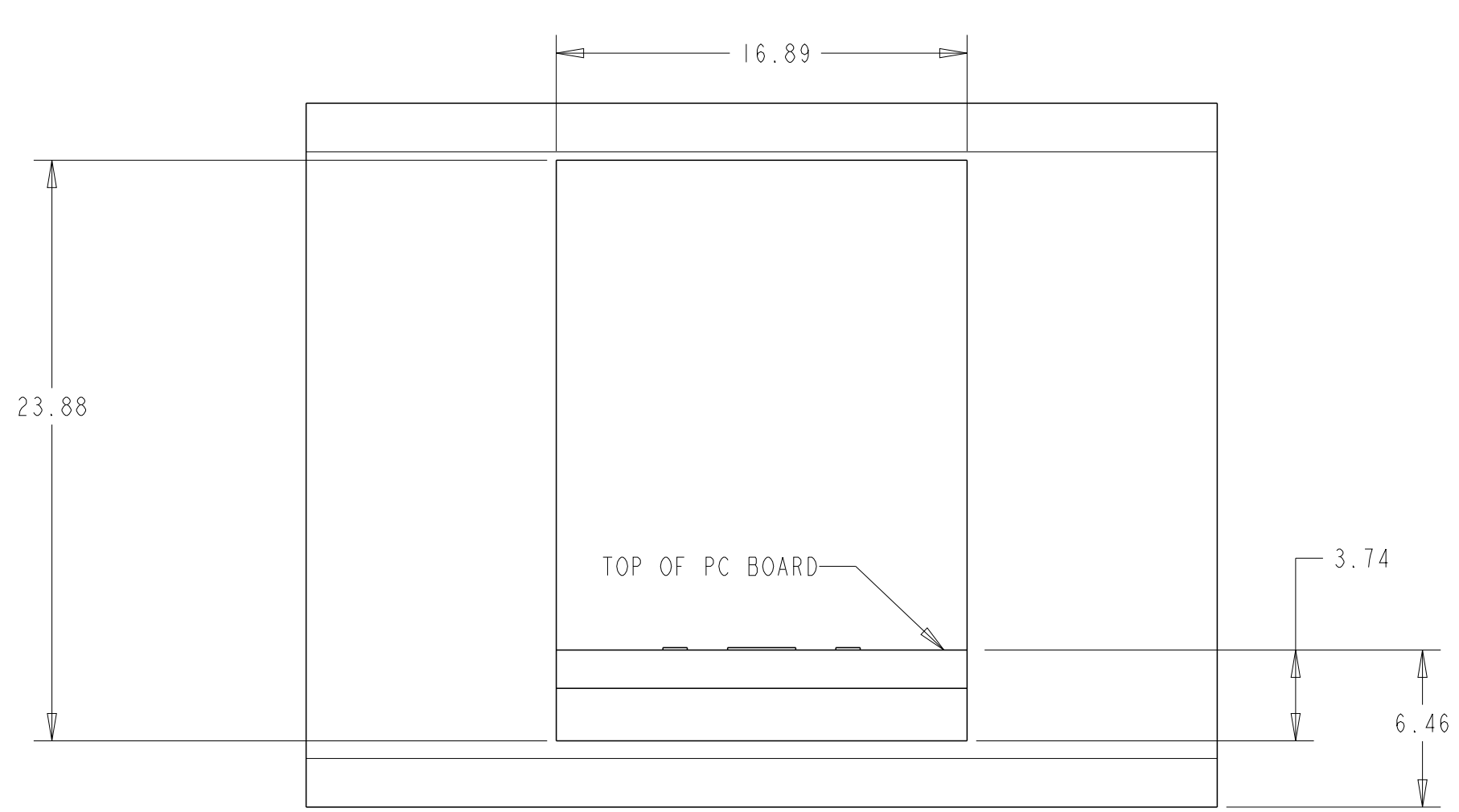
**I-1888653-1**  
 SCALE 4:1

15.88	NONE	GREEN/YELLOW	GREEN/YELLOW	NONE	WITH GROUND CLIP	I-1888653-1
15.88	NONE	GREEN	YELLOW	NONE	WITH GROUND CLIP	1888653-9
15.88	YELLOW	GREEN	GREEN	GREEN	WITH GROUND CLIP	1888653-7
15.88	NONE	GREEN	GREEN	NONE	WITH GROUND CLIP	1888653-6
15.88	NONE	YELLOW	GREEN	NONE	WITH GROUND CLIP	1888653-5
15.88	YELLOW	YELLOW	GREEN	GREEN	WITH GROUND CLIP	1888653-4
15.88	GREEN	GREEN	YELLOW	YELLOW	WITH GROUND CLIP	1888653-3 (SHOWN)
15.88	GREEN	GREEN	GREEN	GREEN	WITH GROUND CLIP	1888653-2
16.13	GREEN	GREEN	GREEN	GREEN	WITHOUT GROUND CLIP	1888653-1
M DIM	LED #4 (LOWER-RIGHT)	LED #3 (UPPER-RIGHT)	LED #2 (UPPER-LEFT)	LED #1 (LOWER-LEFT)	DESCRIPTION	PART NUMBER

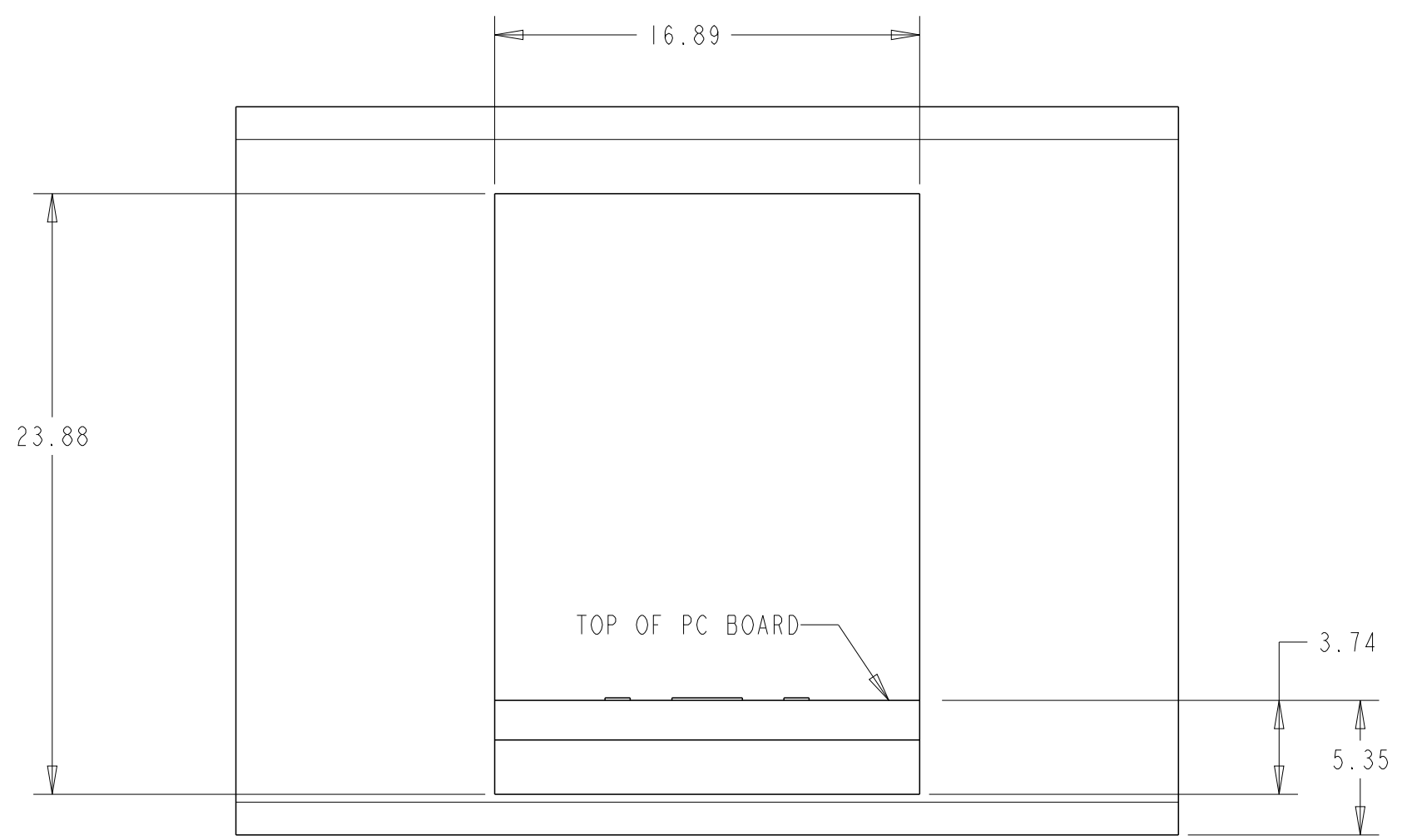
THIS DRAWING IS A CONTROLLED DOCUMENT. DWN: L.A.MAYER 19OCT2006  
 CHK: J.WESTMAN 19OCT2006  
 DIMENSIONS: mm  
 TOLERANCES UNLESS OTHERWISE SPECIFIED:  
 0 PLC ±  
 1 PLC ±0.13  
 2 PLC ±  
 3 PLC ±  
 4 PLC ±  
 ANGLES ±1°  
 MATERIAL: SEE NOTE 1  
 FINISH: -

STE TE Connectivity  
 NAME: STACKED MOD JACK ASSEMBLY, 2 X 1, 8 POSN, RJ45, SHIELDED, PANEL GROUND, OFFSET, CAT 5e  
 PRODUCT SPEC: 108-1854  
 APPLICATION SPEC: 114-2160  
 SIZE: A1  
 CAGE CODE: 00779  
 DRAWING NO: 1888653  
 WEIGHT: -  
 CUSTOMER DRAWING: -  
 SCALE: 4:1 SHEET 1 OF 2 REV L

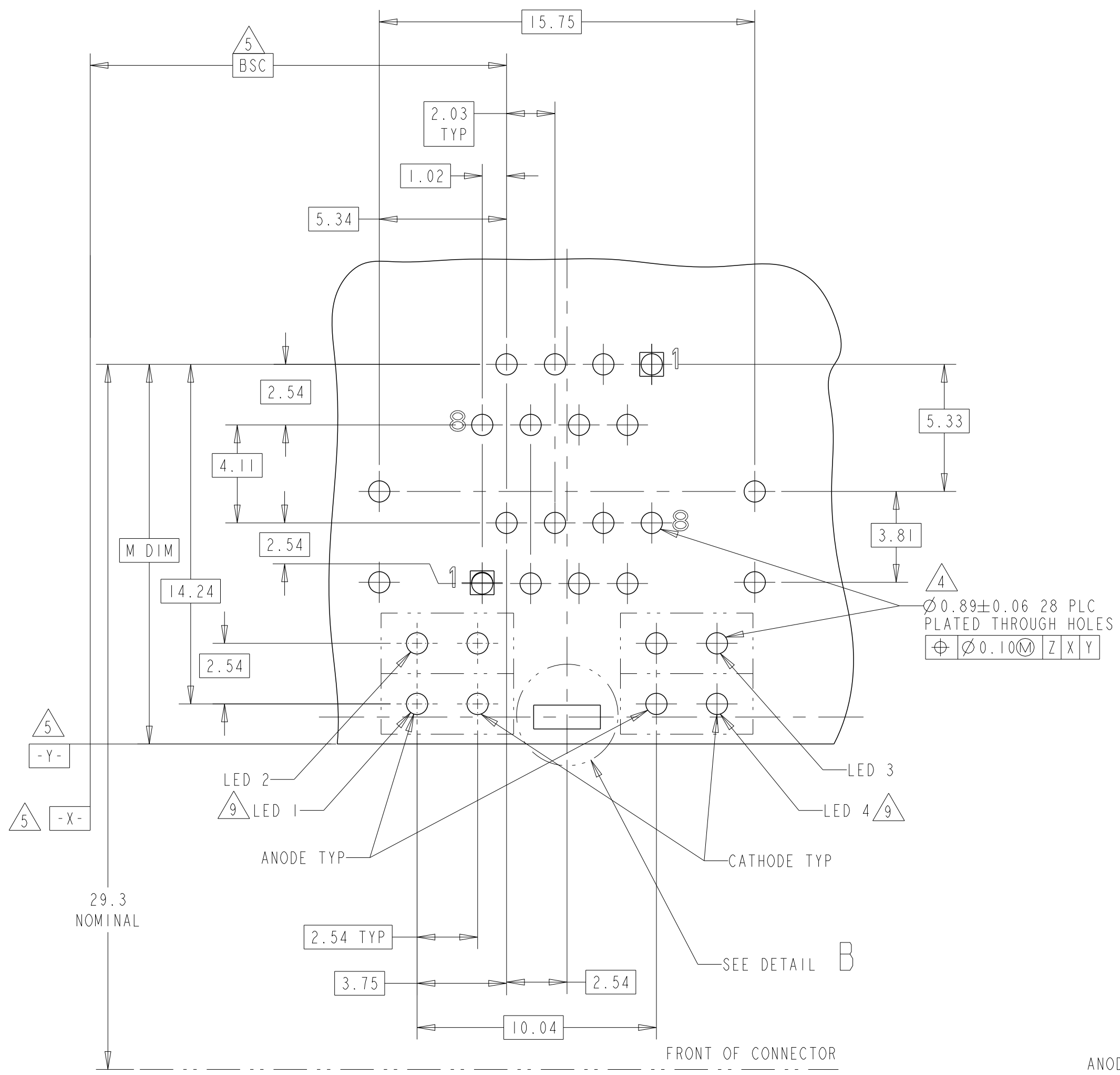
LOC	DIST	REVISIONS			
P	LTN	DESCRIPTION	DATE	DWN	APVD
-	-	SEE SHEET 1	-	-	-



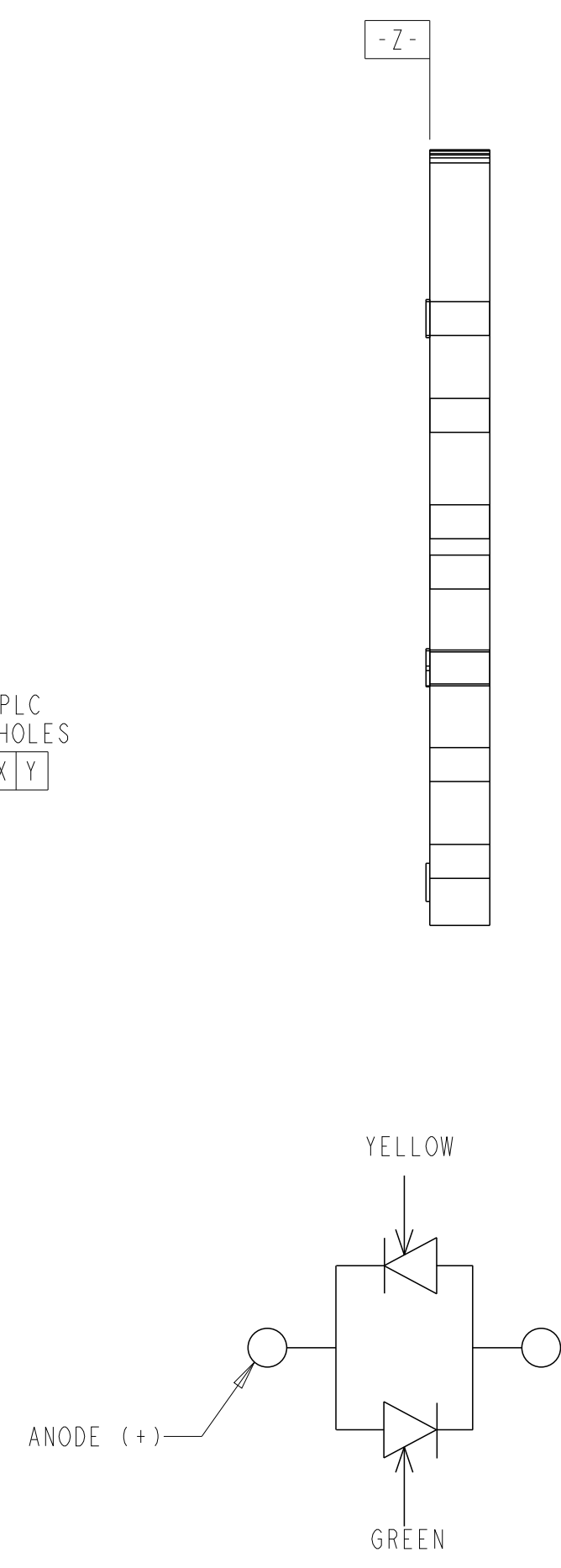
**ATCA PANEL AND  
PRINTED CIRCUIT BOARD LAYOUT**



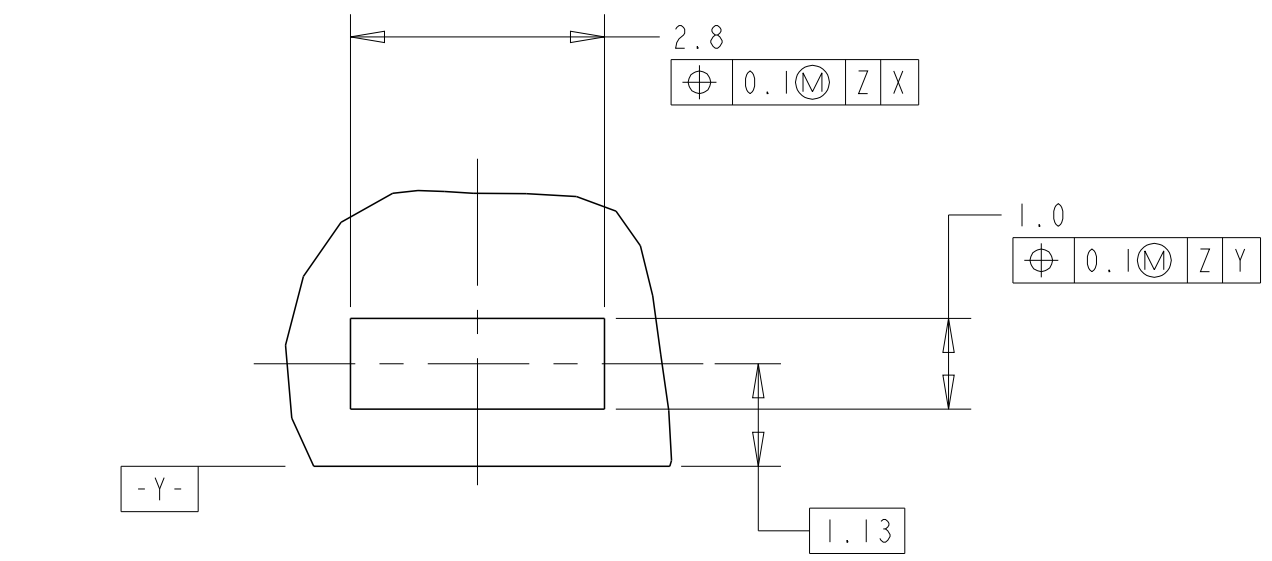
**AMC PANEL AND  
PRINTED CIRCUIT BOARD LAYOUT**



**PC BOARD LAYOUT  
(COMPONENT SIDE)**



**LED CURRENT DIAGRAM  
FOR 1-1888653-1**



**DETAIL B**  
SCALE 12:1  
PLATED PADS REQUIRED FOR  
1888653 -2, 3, -4, -5, -6, -7, -9 & 1-1 (PRODUCT WITH  
GROUNDING CLIPS)

THIS DRAWING IS A CONTROLLED DOCUMENT.		DWN L.A.MAYER 19OCT2006	<b>STE</b> TE Connectivity
DIMENSIONS: mm		CHK J.WESTMAN 19OCT2006	
TOLERANCES UNLESS OTHERWISE SPECIFIED:		APVD S.FELICKINGER 19OCT2006	NAME STACKED MOD JACK ASSEMBLY, 2 X 1, 8 POSN, RJ45, SHIELDED, PANEL GROUND, OFFSET, CAT 5e
0 PLC ±		PRODUCT SPEC 108-1854	
1 PLC ±0.13		APPLICATION SPEC 114-2160	SIZE A1
2 PLC ±		WEIGHT	CAGE CODE 00779
3 PLC ±		FINISH	DRAWING NO. 1888653
4 PLC ±		MATERIAL SEE NOTE 1	RESTRICTED TO
ANGLES ±1°		CUSTOMER DRAWING	SCALE 6:1 SHEET 2 OF 2 REV L

单击下面可查看定价，库存，交付和生命周期等信息

[>>TE Connectivity\(泰科\)](#)