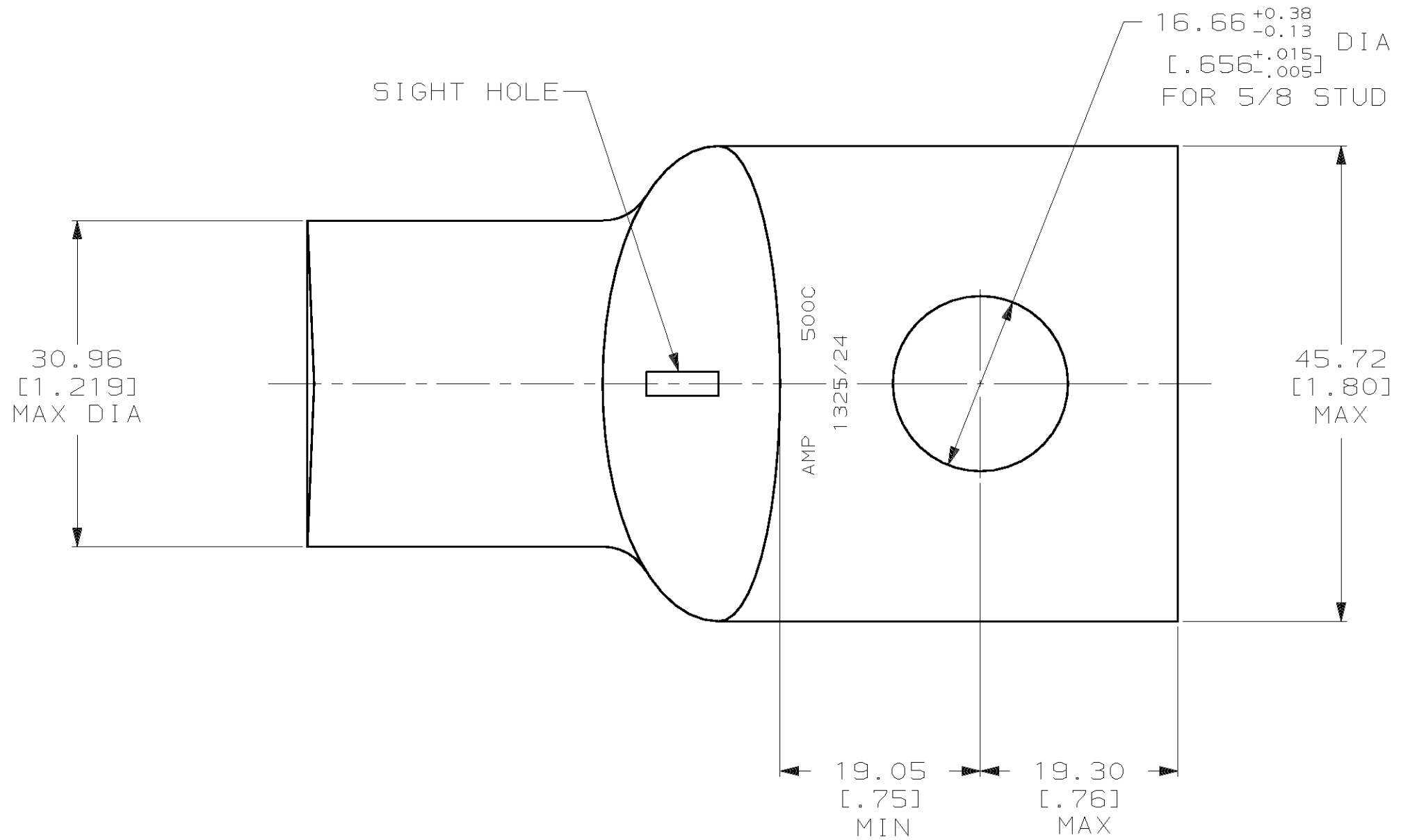
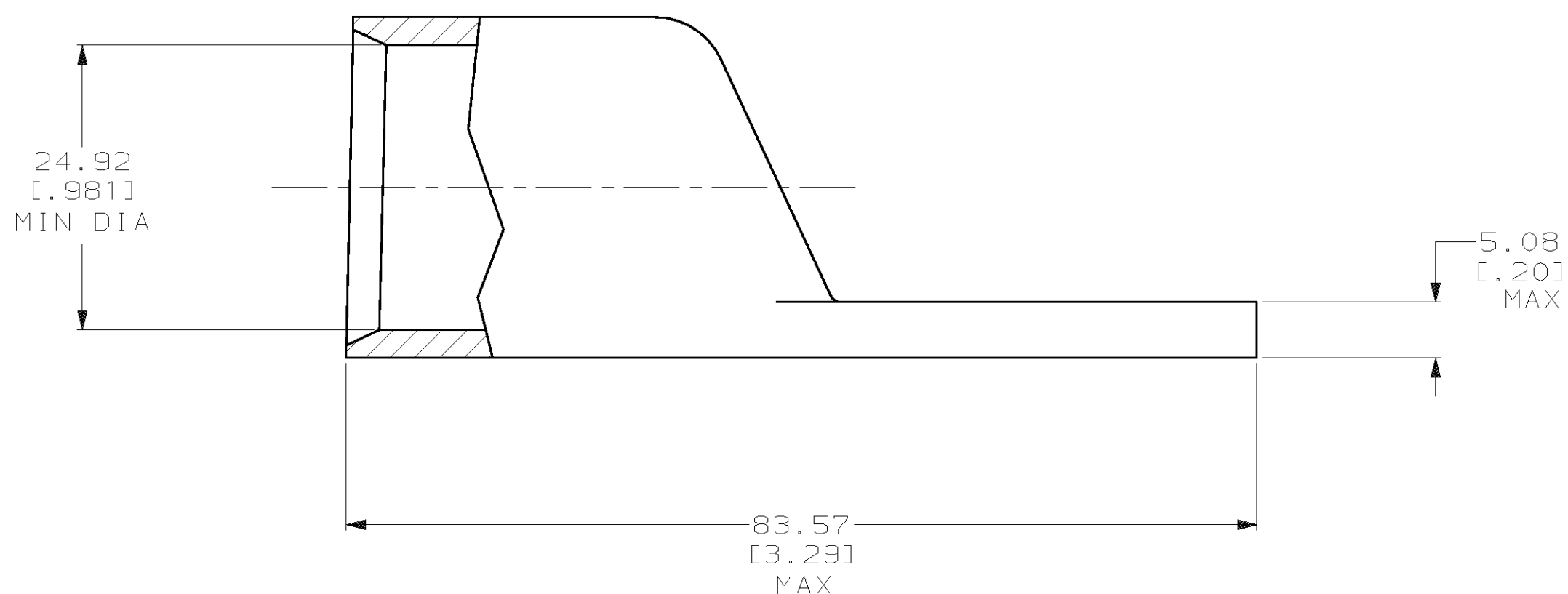


THIS DRAWING IS UNPUBLISHED. RELEASED FOR PUBLICATION ,19 .
 © COPYRIGHT 19 BY AMP INCORPORATED. ALL INTERNATIONAL RIGHTS RESERVED.

LOC		DIST		REVISIONS				DATE	APPD
G	86	P	F	ZONE	LTR	DESCRIPTION	08OCT02	JR	
				R		REV PER 0G3A-0561-01			



1 CIRCULAR MIL AREA RANGE: 450-550 MCM
 2 TIN PL 0.00381 [.000150] MIN THK PER MIL-T-10727



DO NOT SCALE PRINT. UNLESS SPECIFIED DIMENSIONS IN mm [INCHES] TOLERANCES ON : 2 PLC DEC ± 0.51 [.020] 3 PLC DEC ± - ANGLES ± -		DR 02/28/90 DK SCHRUM		326106	
MATERIAL ANNEALED COPPER ASTM B-75		CHK 23JAN95 MS FEHER		PART NO	
FINISH 2		APPD 23JAN95 WJ VOCKROTH		AMP INCORPORATED Harrisburg, Pa. 17105	
APPLICATION SPEC -		APPD 23JAN95 TL SHUTTER		NAME	
WEIGHT .314 LB		PRODUCT SPEC 108-30200		TERMINAL, AMPPOWER™ WIRE SIZE: 500 MCM	
SCALE 2:1		CAGE CODE 00779		DRAWING NO 326106	
		DRAWING NO		SHEET 1 OF 1	

单击下面可查看定价，库存，交付和生命周期等信息

[>>TE Connectivity\(泰科\)](#)