

P	LTR	DESCRIPTION	DATE	DWN	APVD
	A1	REVISED NOTES	30OCT2019	MZ	MZ
	B	REVISED PER ECR-19-019350	18DEC2019	SB	FD
	B1	REVISED PER ECR-20-015354	28OCT2020	SR	FD
	C	REVISED PER ECR-21-108141	19JUL2021	SM	FD

NOTES:

1. MATERIALS:

CONTACT : COPPER ALLOY, TIN PLATED
HOUSING: PPE+PS; COLOR: DARK GREY
BUTTON: PPE+PS; COLOR: DARK GREY

DIMENSIONS BEFORE APPLICATION

2. APPLICABLE CABLES:

A) APPROVED ACCORDING UL FILE E353372 FOR SOLAR CABLES FROM 5.5 mm TO 7.2 mm

B) APPROVED ACCORDING TUV RHEINLAND CERTIFICATE NUMBER R60152499.0001 FOR FOLLOWING CABLE TYPES FROM DEFINED MANUFACTURERS:

- TE CABLE PN 2328394, 2.5 mm² (14 AWG)
- TE CABLE PN 2270245, 4 mm² (12 AWG)
- TE CABLE PN 2270260, 4 mm² (12 AWG)
- TE CABLE PN 2328400, 6 mm² (10 AWG)
- TE CABLE PN 2270215, 4 mm² (12 AWG)
- TE CABLE PN 2270259, 4 mm² (12 AWG)

- BYSON 6351D 2.5mm²/14AWG
- BYSON 6352D 4mm²/12AWG
- BYSON 6353D 6mm²/10AWG
- HONGLIN DPN4012A20 4mm²/12AWG

3. MATING CONNECTORS, TE PART NO.:

- 2315176-1 (SOLARLOK 2.0)
- x-2270024-y (PV4-S)
- x-1971920-y (PV4-PM)

4. NOTE REMOVED

5 MOULDING PRODUCTION DATE MARKING

6 AREA FOR LASER PRINTING DATA MATRIX AND PARTNUMBER
PPPPPPPPVYYWDFL####

- P P P P P P P P = PART NUMBER
- V = VERSION CUSTOMER DRAWING
- Y Y = LAST TWO DIGITS OF YEAR 19
- W W = WEEK NUMBER
- D = WEEKDAY (1 MONDAY)
- F = FACTORY CODE (S = SZCZECIN, T = TRUTNOV)
- L = MANUFACTURING LINE (M=MANUAL, A=AUTOMATIC)
- #### = SERIAL NUMBER (PRODUCTION PER DAY)

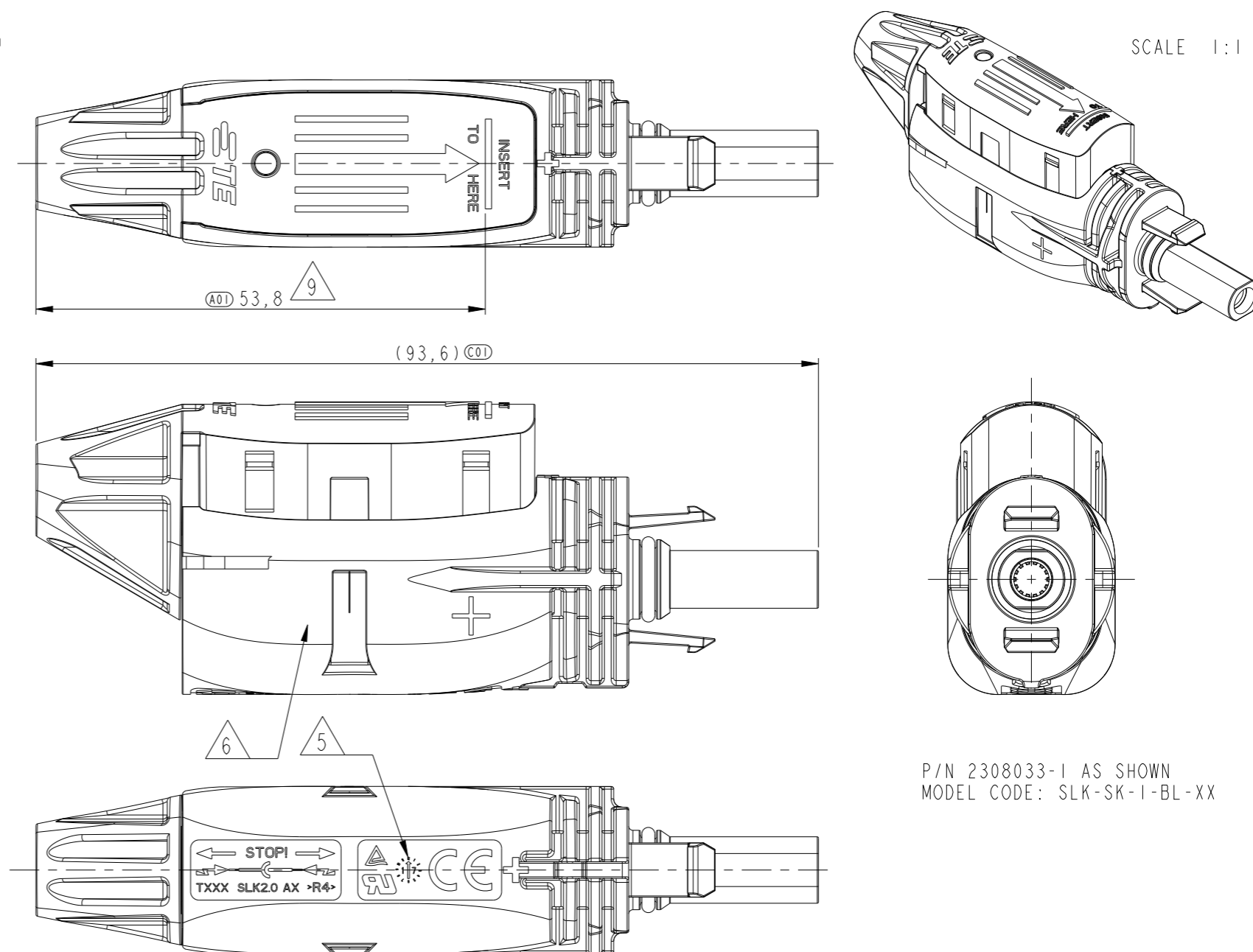
7 CABLE FOR REFERENCE ONLY

8 WHEN BUTTON AND HOUSING RIBS ARE ALIGNED, THE CONNECTOR IS CORRECTLY TERMINATED

9 MINIMUM CABLE INSERTION LENGTH 53.8 ± 2 mm

10. CHECK APPLICATION SPEC 114-133104 FOR PROPER CABLE CONNECTION

11. FOR PACKAGING FORMAT AND QUANTITY SEE 107-133104.



THIS DRAWING IS A CONTROLLED DOCUMENT.		DWN	17NOV2017	TE Connectivity	
		CHK	RAGHAVENDRA.K 31JAN2018		
		APVD	F.DENDAS 31JAN2018	NAME SOLARLOK 2.0 SOCKET CONNECTOR	
		PRODUCT SPEC	O.LFIJNSE 108-133104		
DIMENSIONS: mm		TOLERANCES UNLESS OTHERWISE SPECIFIED:		SIZE	RESTRICTED TO
		0 PLC	±0.5	A3	-
		1 PLC	±0.5		
		2 PLC	±0.5	CAGE CODE	00779
		3 PLC	±	DRAWING NO	C-2308033
MATERIAL SEE NOTES		4 PLC	±	SCALE 3:2	
		ANGLES	±3°	SHEET 1 OF 2	REV C
		FINISH	-	CUSTOMER DRAWING	

4

3

2

1

THIS DRAWING IS UNPUBLISHED.

RELEASED FOR PUBLICATION

20

© COPYRIGHT 20 BY -

ALL RIGHTS RESERVED.

REVISIONS

P	LTR	DESCRIPTION	DATE	DWN	APVD
-	-	SEE SHEET 1	-	-	-

DIMENSIONS AFTER APPLICATION

SCALE 1:1

(26,3) (M0.1)

THIS DRAWING IS A CONTROLLED DOCUMENT.

DWN 17NOV2017

RAGHAVENDRA.K

CHK 31JAN2018

F.DENDAS

APVD 31JAN2018

O.LFIJNSE

PRODUCT SPEC

108-133104

APPLICATION SPEC

114-133104

WEIGHT

-

CUSTOMER DRAWING

TE Connectivity

NAME SOLARLOK 2.0 SOCKET CONNECTOR

-

-

-

-

-

-

A3

00779

C

-

-

-

-

-

-

-

-

-

-

-

-

-

-

-

-

-

-

-

-

-

-

-

-

-

-

-

-

-

-

-

-

-

-

-

-

-

-

-

-

-

-

-

-

-

-

-

-

-

-

-

-

-

-

-

-

-

-

-

-

-

-

-

-

-

-

-

-

-

-

-

-

-

-

-

-

-

-

-

-

-

-

-

-

-

-

-

-

-

-

-

-

-

-

-

-

-

-

-

-

-

-

-

-

-

-

-

-

-

-

-

-

-

-

-

-

-

-

-

-

-

-

-

-

-

-

-

-

-

-

-

-

-

-

-

-

-

-

-

-

-

-

-

-

-

-

-

-

-

-

-

-

-

-

-

-

-

-

-

-

-

-

-

-

-

-

-

-

-

-

-

-

-

-

-

-

-

-

-

-

-

-

-

-

-

-

-

-

-

-

-

-

-

-

-

-

-

-

-

-

-

单击下面可查看定价，库存，交付和生命周期等信息

[>>TE Connectivity\(泰科\)](#)