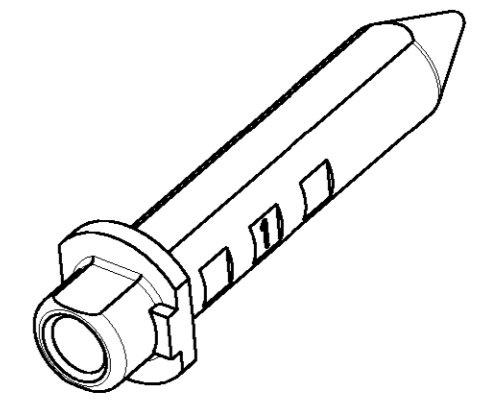
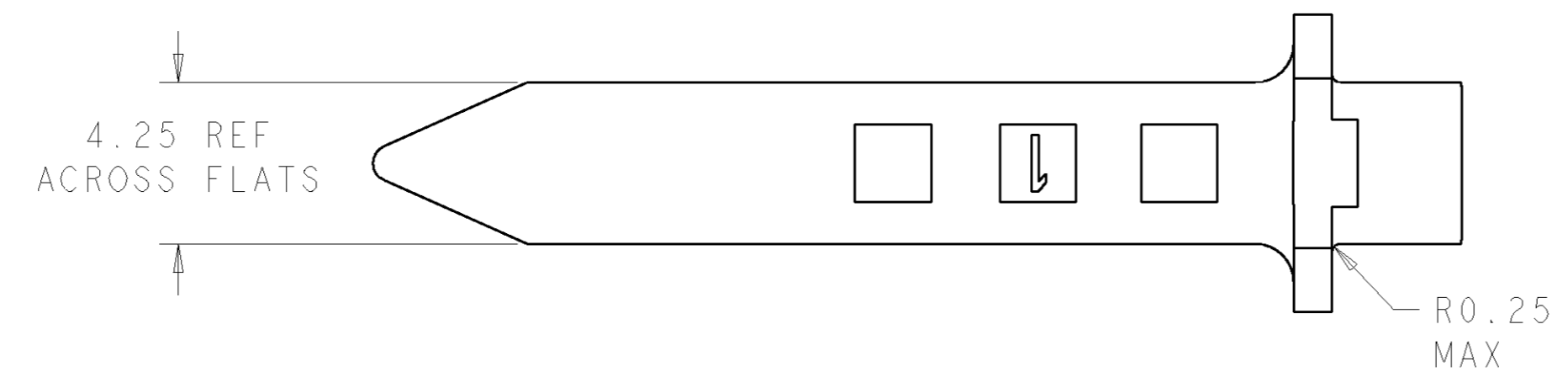
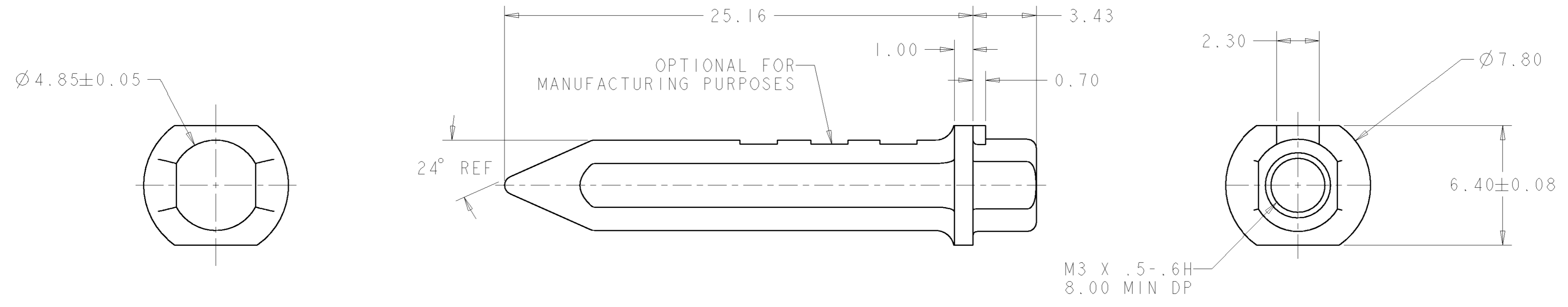


THIS DRAWING IS UNPUBLISHED. RELEASED FOR PUBLICATION 20
 © COPYRIGHT 20 BY TYCO ELECTRONICS CORPORATION. ALL RIGHTS RESERVED.

LOC	DIST	REVISIONS					
		P	LTR	DESCRIPTION	DATE	DWN	APVD
AD	00		A	RELEASED	18SEP2006	BC	RP
			AI	REV PER ECO-06-030038	16JAN2007	BC	RP



SCALE 3:1



- ① ZINC ALLOY DIE CASTING.
- ② CHROMATE CONVERSION COATING. (ROHS COMPATIBLE).

120986-1
PART NUMBER

THIS DRAWING IS A CONTROLLED DOCUMENT FOR TYCO ELECTRONICS CORPORATION. IT IS SUBJECT TO CHANGE AND THE CONTROLLING ENGINEERING ORGANIZATION SHOULD BE CONTACTED FOR THE LATEST REVISION.		DWN B. CARBO 18SEP2006	Tyco Electronics Harrisburg, PA 17105-3608	
DIMENSIONS: mm		CHK R. PATTERSON 18SEP2006		
TOLERANCES UNLESS OTHERWISE SPECIFIED: 0 PLC ± 1 PLC ±0.5 2 PLC ±0.13 3 PLC ±0.013 4 PLC ±0.0001 ANGLES ±		APVD R. PATTERSON 18SEP2006	NAME GUIDE PIN UNIVERSAL POWER MODULE	
MATERIAL ①		FINISH ②	PRODUCT SPEC -	APPLICATION SPEC -
		WEIGHT -	SIZE A200779	CAGE CODE C-120986
		CUSTOMER DRAWING	DRAWING NO 120986	RESTRICTED TO -
		SCALE 6:1	SHEET 1	REV A1

单击下面可查看定价，库存，交付和生命周期等信息

[>>TE Connectivity\(泰科\)](#)