

4

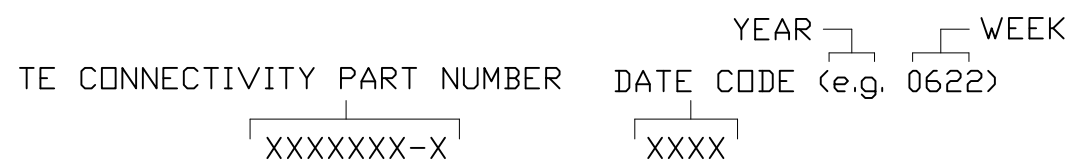
3

2

1

REVISIONS			
EC	REV	DESCRIPTION	DATE
CPR	A1	REVISED PER ECO-11-005140	24MAR11

- 7. CONTACTS PURCHASED SEPARATELY.
- 6. ELCON EQUIVALENT SERIES 296-0049-01100.
- 5. ITEMS PROVIDED TO THIS SPECIFICATION TO BE PERMANENTLY IDENTIFIED PER THE FOLLOWING IDENTIFIER:



4 A REFERENCE DIMENSION (X.XX) IS WITHOUT TOLERANCE AND USED FOR INFORMATION ONLY.

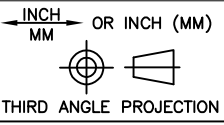


3. FINISHES:
RETENTION CLIPS: BRITE DIP PICKLED PER INDUSTRY STANDARDS.

2. MATERIALS:
INSULATORS: THERMOPLASTIC, GLASS REINFORCED, UL94V-0 FLAMMABILITY RATED, COLOR-BLACK.
RETENTION CLIPS: COPPER OR STAINLESS STEEL.

1. PART NUMBER CHANGES AND OR DESIGN CHANGES AFFECTING ITEM INTERCHANGEABILITY REQUIRE PRIOR TE CONNECTIVITY APPROVAL AND AUTHORIZATION BY REVISION TO THIS DRAWING.

NOTES: UNLESS OTHERWISE SPECIFIED

PART NUMBER
1648578-1

 THIRD ANGLE PROJECTION UNLESS OTHERWISE SPECIFIED DIMENSIONS ARE IN INCHES (METRIC) TOLERANCES ANGLES ± .5' DECIMALS .XXX ± .010 (.25) .XX ± .02 (.3)	DRAWN R. F. A.	DATE 3/22/06	 TE Connectivity 		
	CHECKED		TITLE CONNECTOR, SOCKET WITH RETENTION CLIPS DOUBLE DRAWER		
	APPROVED		SIZE B	DWG NUMBER C= 1648578	REV. A1
	APPROVED S. FLICKINGER		ACAD FILE NUMBER C1648578A.DWG DWG SCALE 1=1 SH 1 OF 3		

4

3

2

1

4

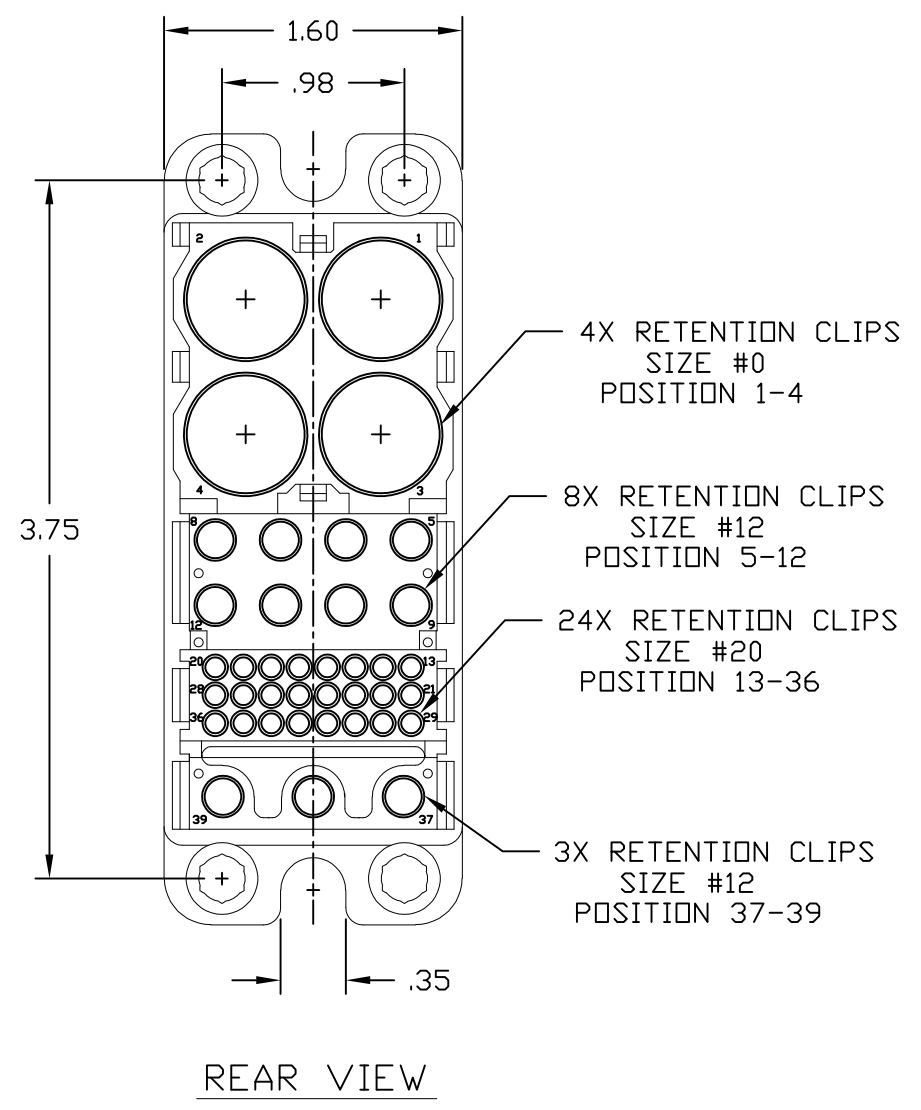
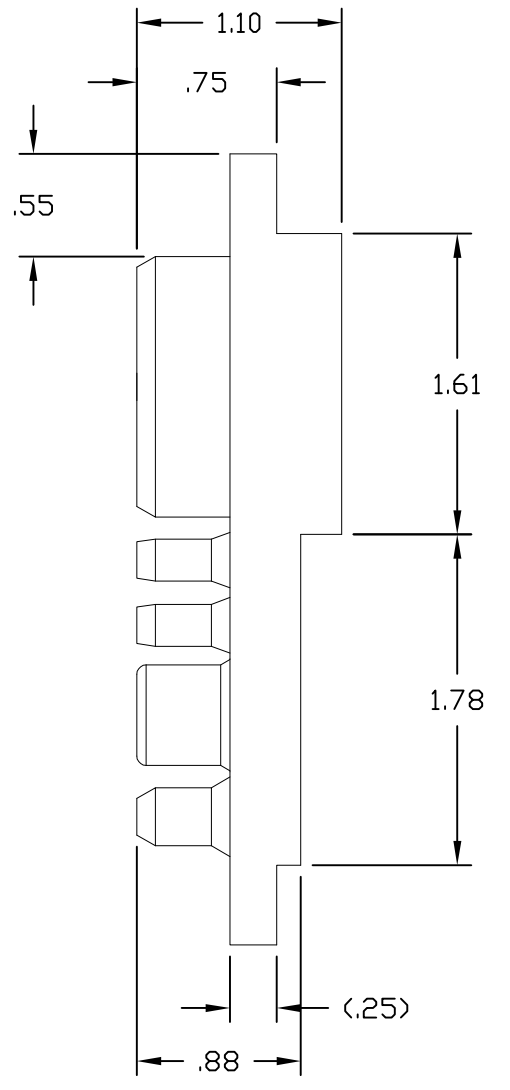
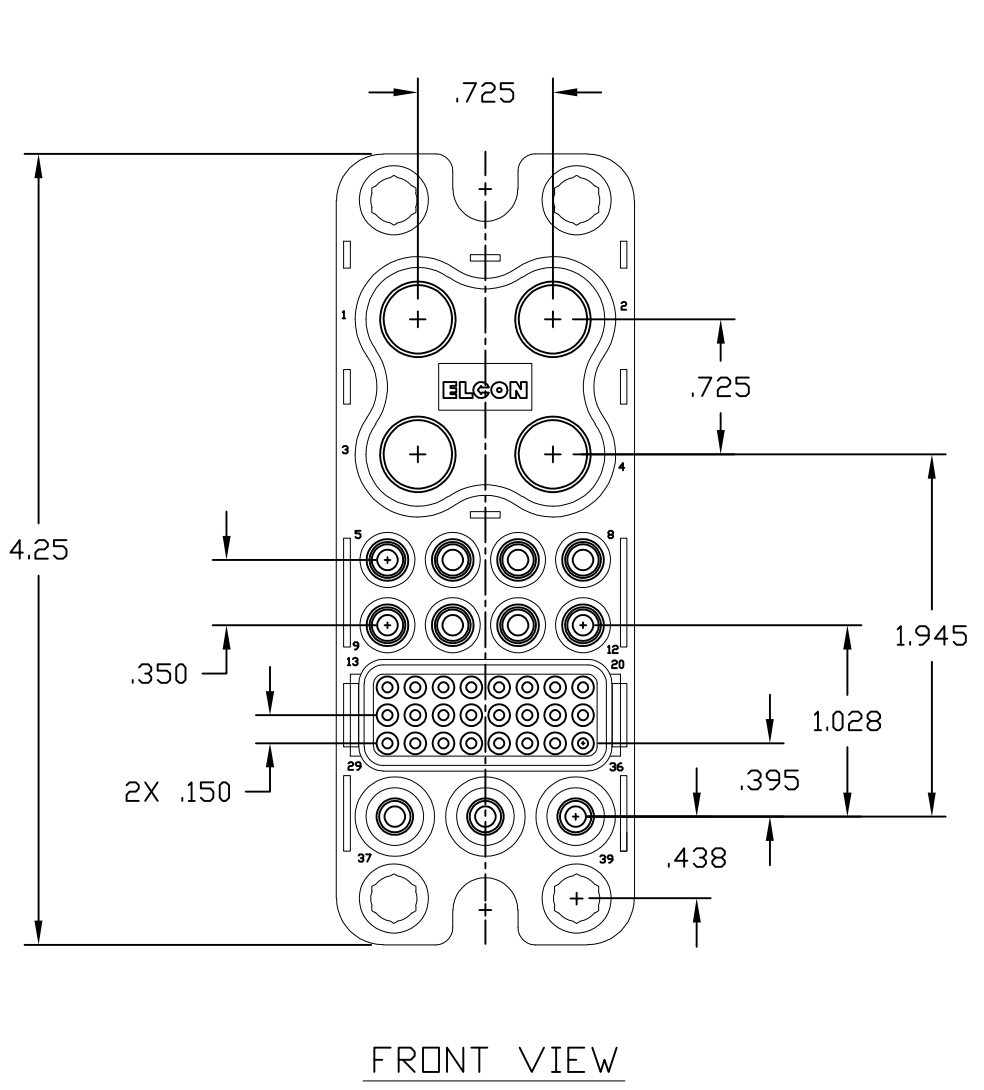
3

2

1

REVISIONS

EC	REV	DESCRIPTION	DATE
		SEE SHEET 1	



INCH OR INCH (MM) THIRD ANGLE PROJECTION UNLESS OTHERWISE SPECIFIED DIMENSIONS ARE IN INCHES (METRIC) TOLERANCES ANGLES ± .5° DECIMALS .XXX ± .010 (.25) .XX ± .02 (.3)	DRAWN R. F. A. CHECKED APPROVED APPROVED S. FLICKINGER DCA APPROVED ACAD FILE NUMBER	DATE 3/22/06	TE Connectivity	
	TITLE CONNECTOR, SOCKET WITH RETENTION CLIPS DOUBLE DRAWER		SIZE B	DWG NUMBER C= 1648578
C1648578A.DWG		DWG SCALE 1=1	SH 2 OF 3	

4

3

2

1

4

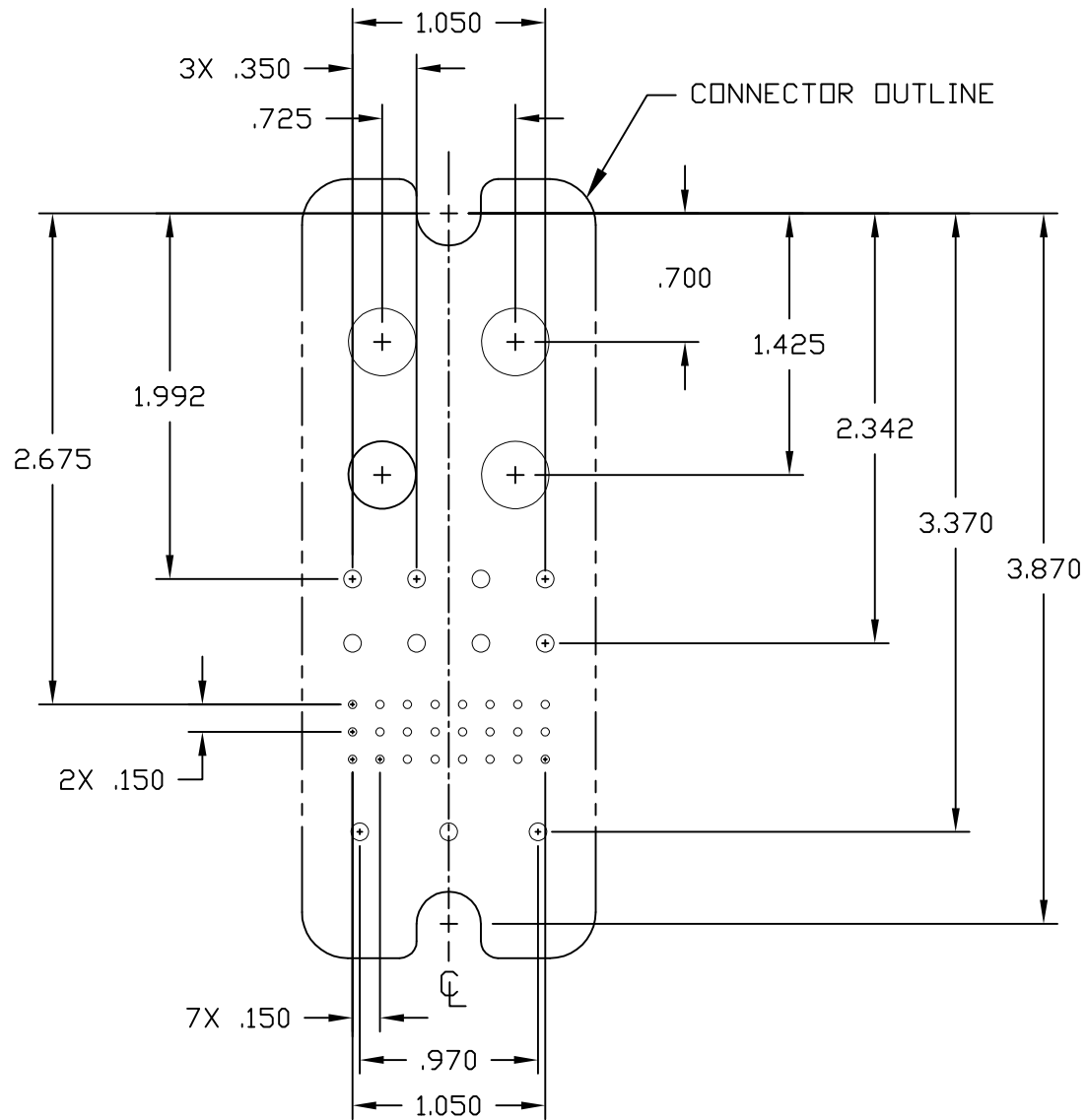
3

2

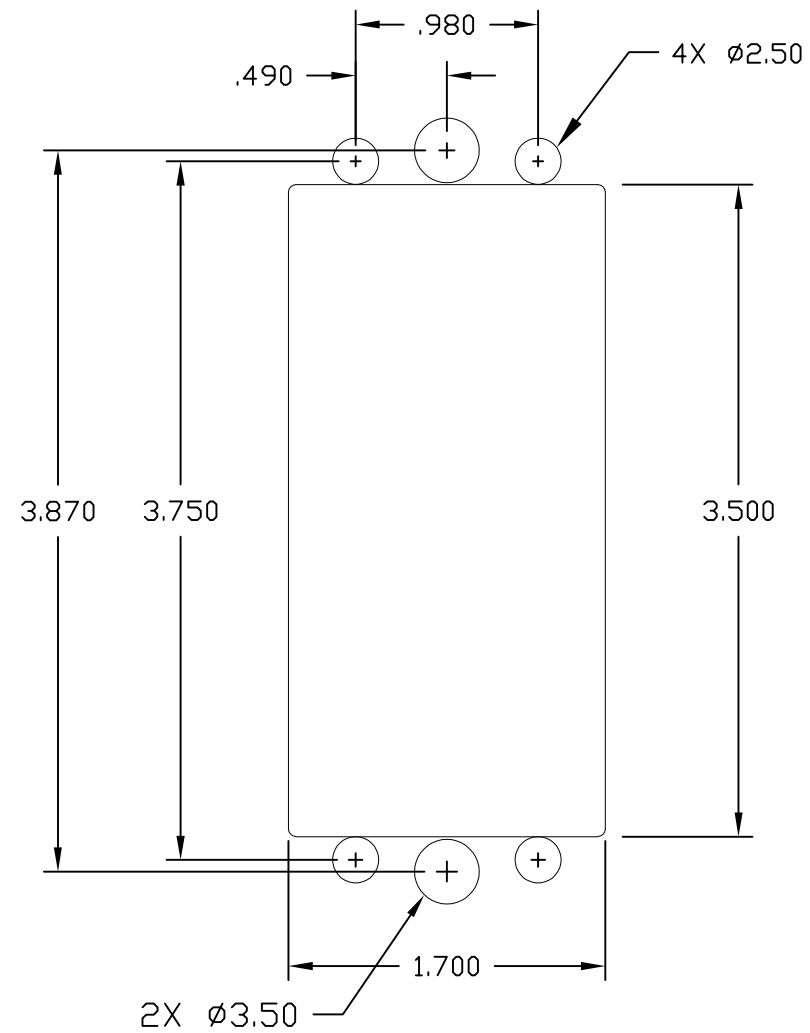
1

REVISIONS

EC	REV	DESCRIPTION	DATE
		SEE SHEET 1	



SUGGESTED PCB LAYOUT



SUGGESTED PANEL CUTOUT
(VIEWED FROM CONNECTOR MOUNTING SIDE)

INCH OR INCH (MM) THIRD ANGLE PROJECTION UNLESS OTHERWISE SPECIFIED DIMENSIONS ARE IN INCHES (METRIC) TOLERANCES ANGLES ± .5° DECIMALS .XXX ± .010 (.25) .XX ± .02 (.3)	DRAWN R. F. A.	DATE 3/22/06	TE Connectivity
	CHECKED	APPROVED	
	APPROVED S. FLICKINGER	APPROVED DCA APPROVED	SIZE B
	ACAD FILE NUMBER	C1648578A.DWG	DWG NUMBER C= 1648578
		DWG SCALE 1=1	REV. A1
			SH 3 OF 3

4

3

2

1

单击下面可查看定价，库存，交付和生命周期等信息

[>>TE Connectivity\(泰科\)](#)