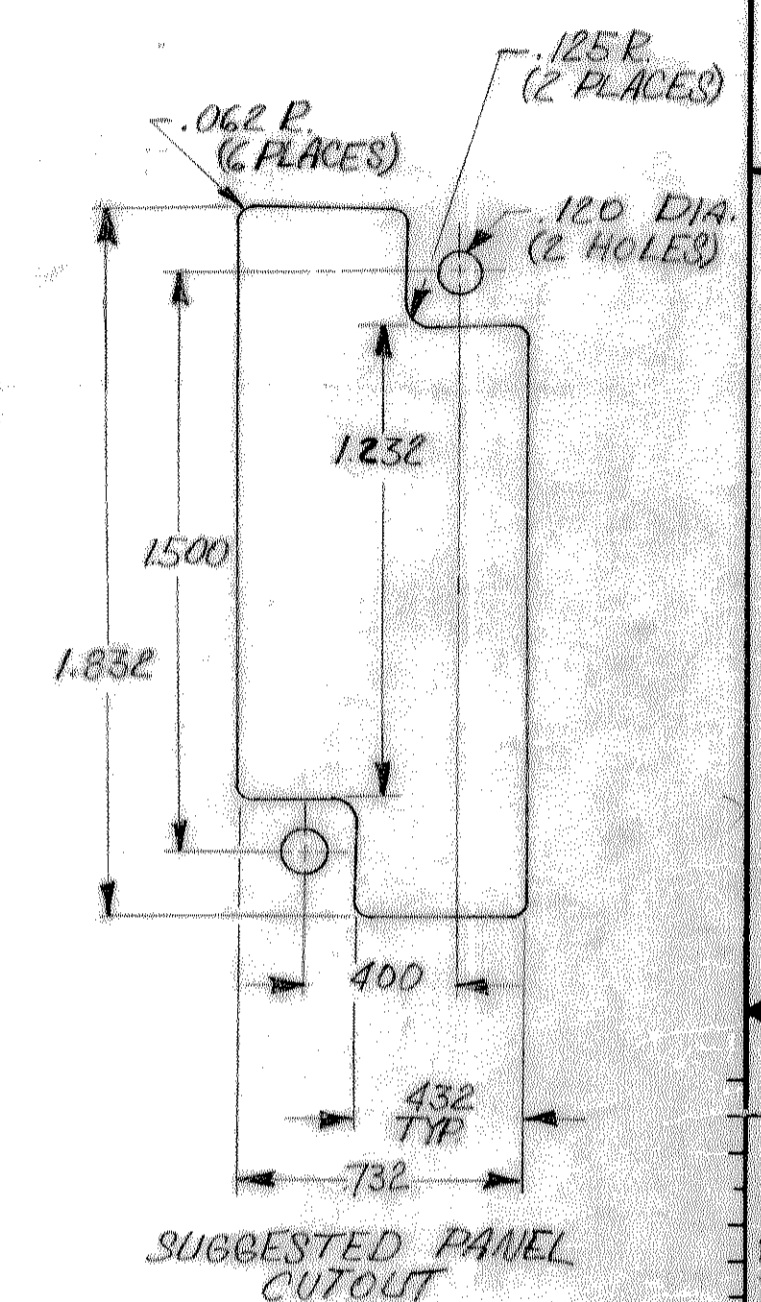
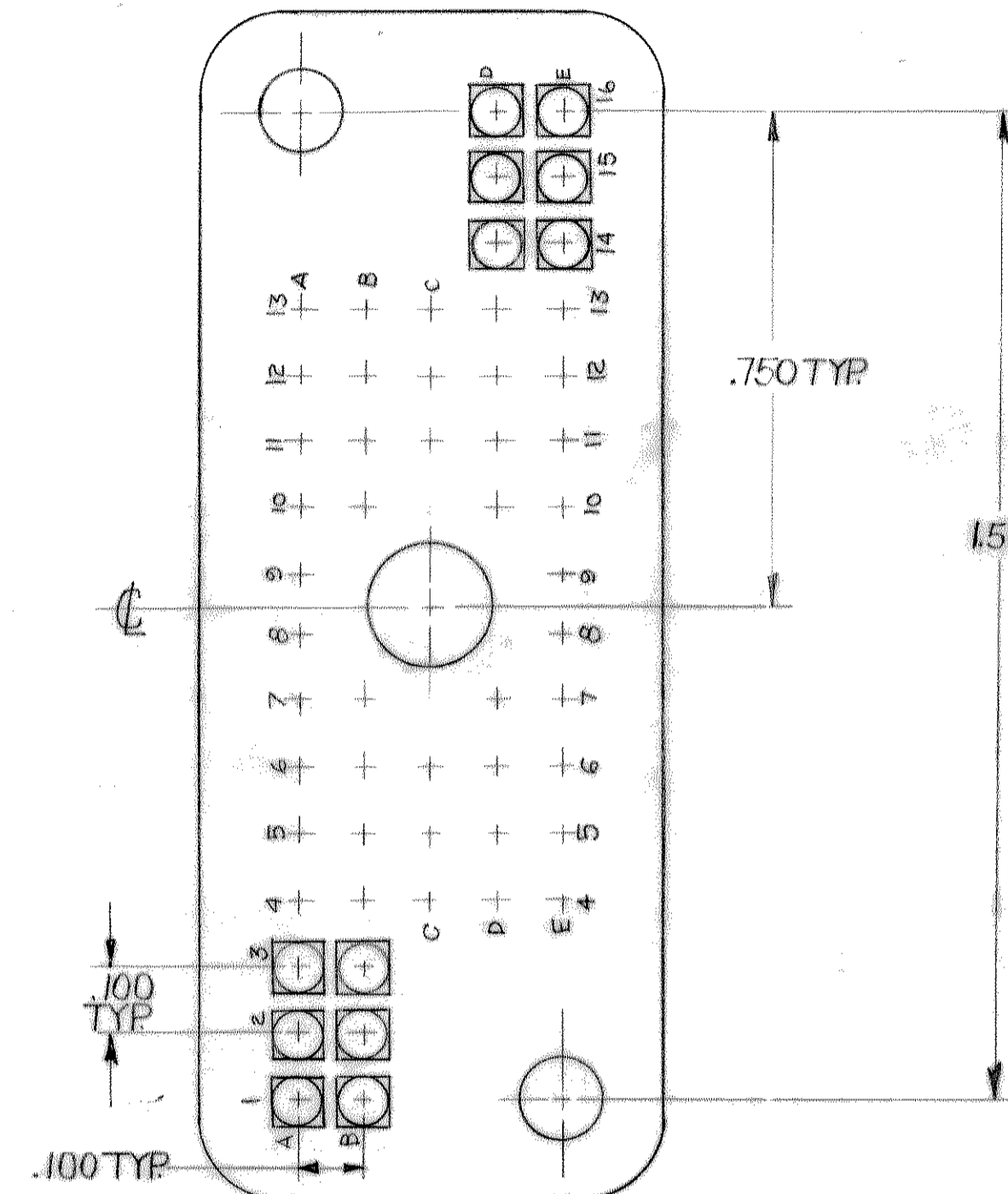
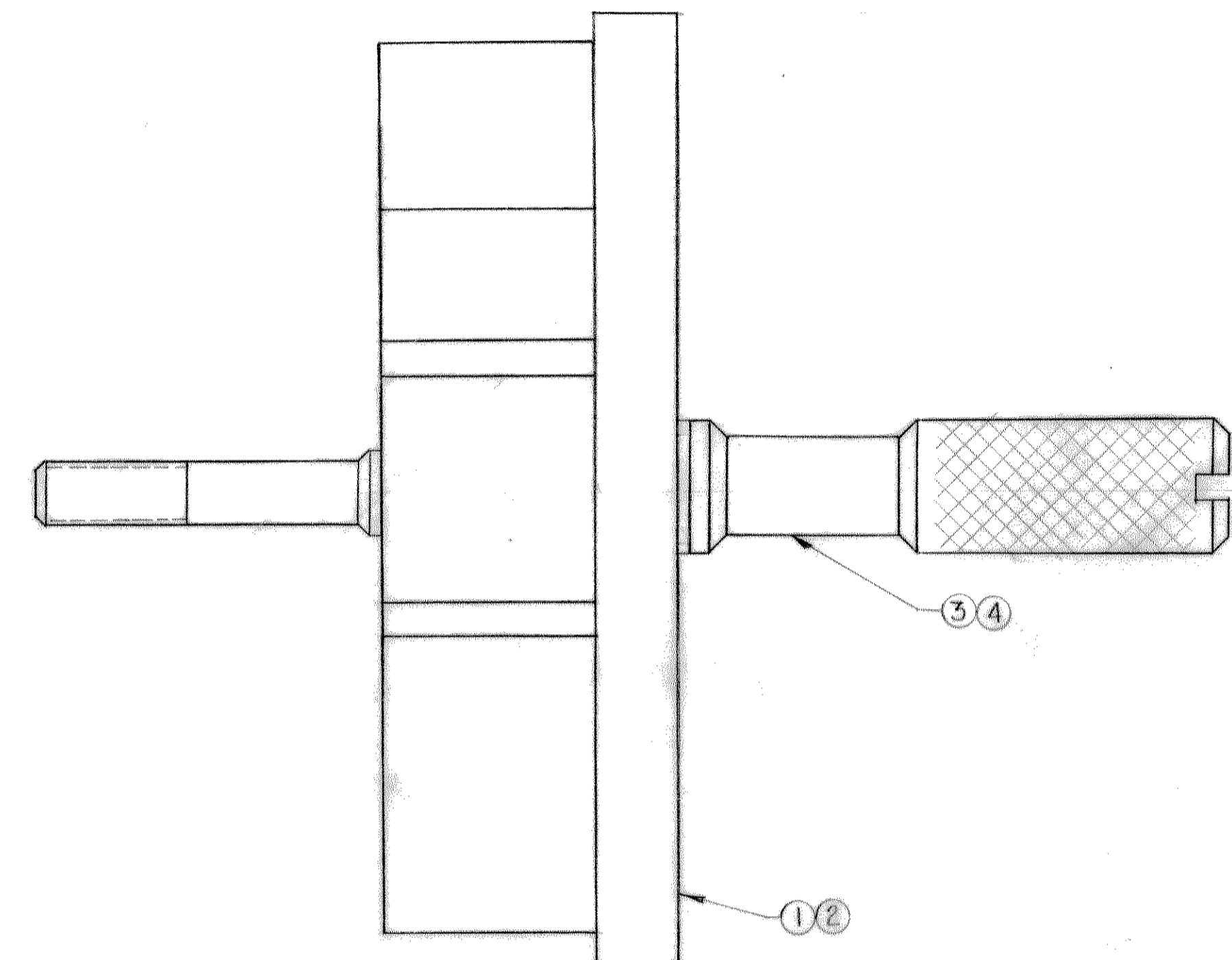


© 1969 BY AMP INCORPORATED. ALL RIGHTS RESERVED. AMP PRODUCTS COVERED BY PATENTS AND/OR PATENTS PENDING.



REVISIONS				
ZONE	LTR	DESCRIPTION	DATE	APPROVED
	A	REVISED PER ECN A-348	2-16-70	CR-YJS
	B	OBS -4 PER ECN DF-0364, 3-ECN DF-0971 INS	10-10-68	JAM
	C	REACTIVATE -4 PER DF-2586	T.W.	JAM
	D	REV PER 0630-276-01	CT	8-02 CT

QTY	DESCRIPTION	ITEM NO
1	JACKSCREW ASS'Y SHORT-MALE	4
1	JACKSCREW ASS'Y LONG-MALE	3
1	BLOCK DIALYL PHTHALATE-BLUE	2
1	BLOCK PHENOLIC-BLACK	1
4	3-2-1	1

UNLESS OTHERWISE SPECIFIED
DIMENSIONS ARE IN INCHES
TOLERANCES ON:
DECIMALS ± .005 ANGLES ± #

CONTRACT NO. _____

DR *R. Matthews* 10-17-69

CHK *D. Miller* 11-6-69

APPD *A. Jones* 11-7-69

REL *R. Jones* 11-9-69

DSGN APPD _____

OTHER APPD _____

AMP INCORPORATED
HARRISBURG, PENNSYLVANIA

NAME 54 POSITION, "HDR," PLUG ASSEMBLY WITH MALE JACKSCREW

SIZE C CODE IDENT NO. 00779 NUMBER 204747

SCALE 1/1 SHEET 1 OF 1

PRINT DIST C 100

NUMBER 204747

单击下面可查看定价，库存，交付和生命周期等信息

[>>TE Connectivity\(泰科\)](#)