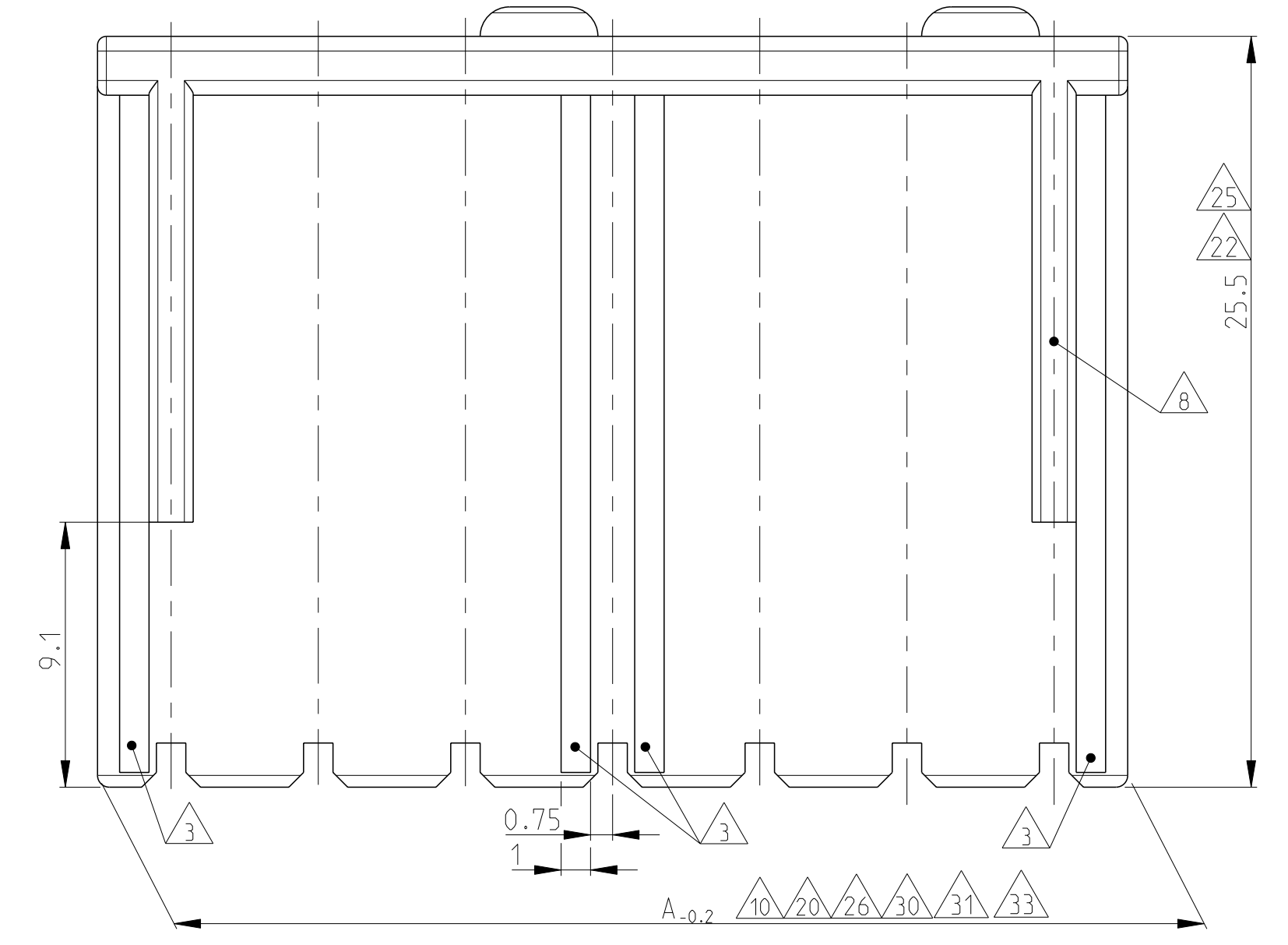
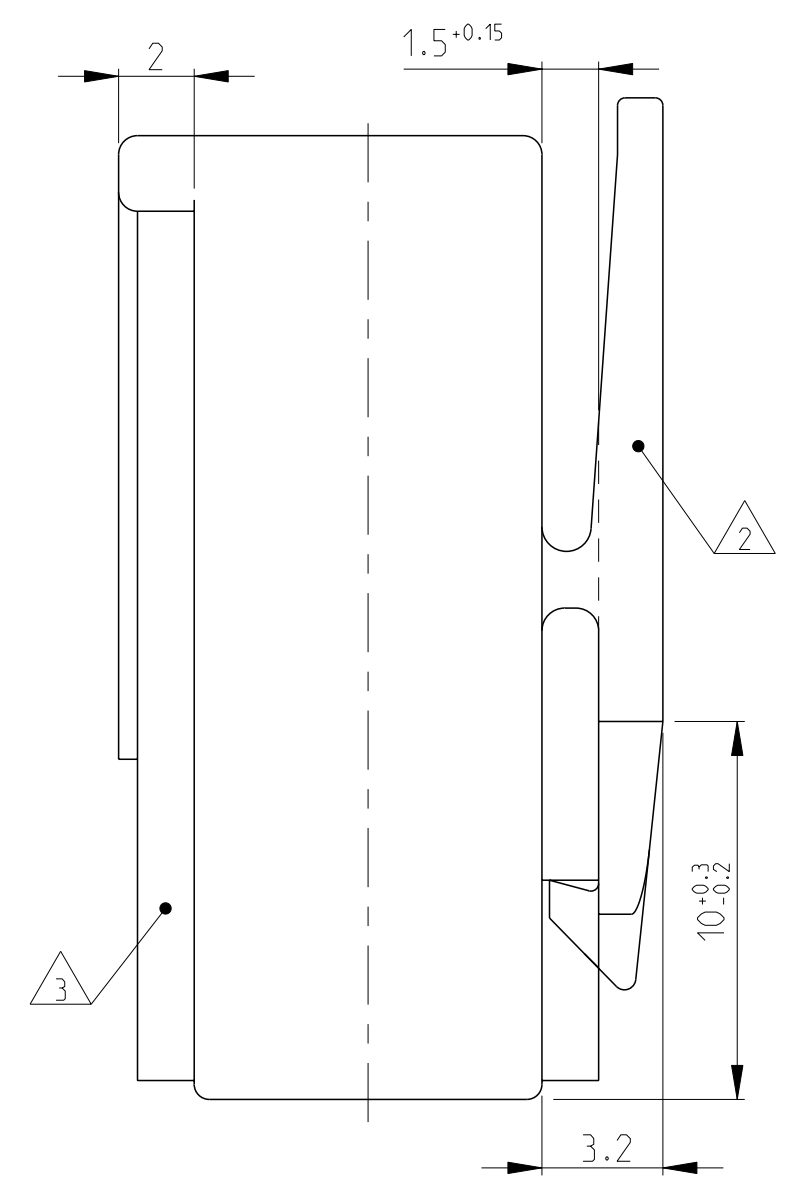
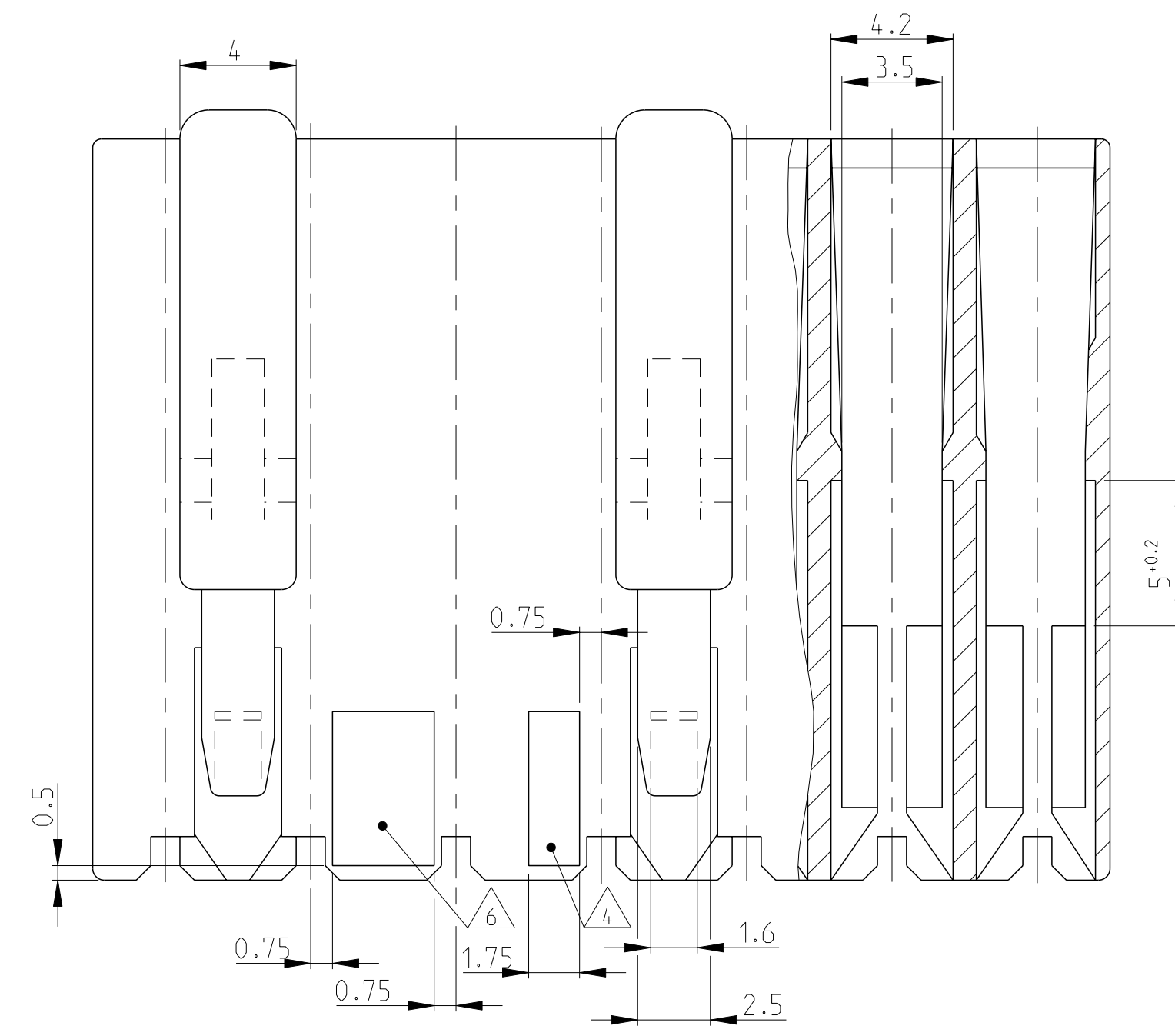
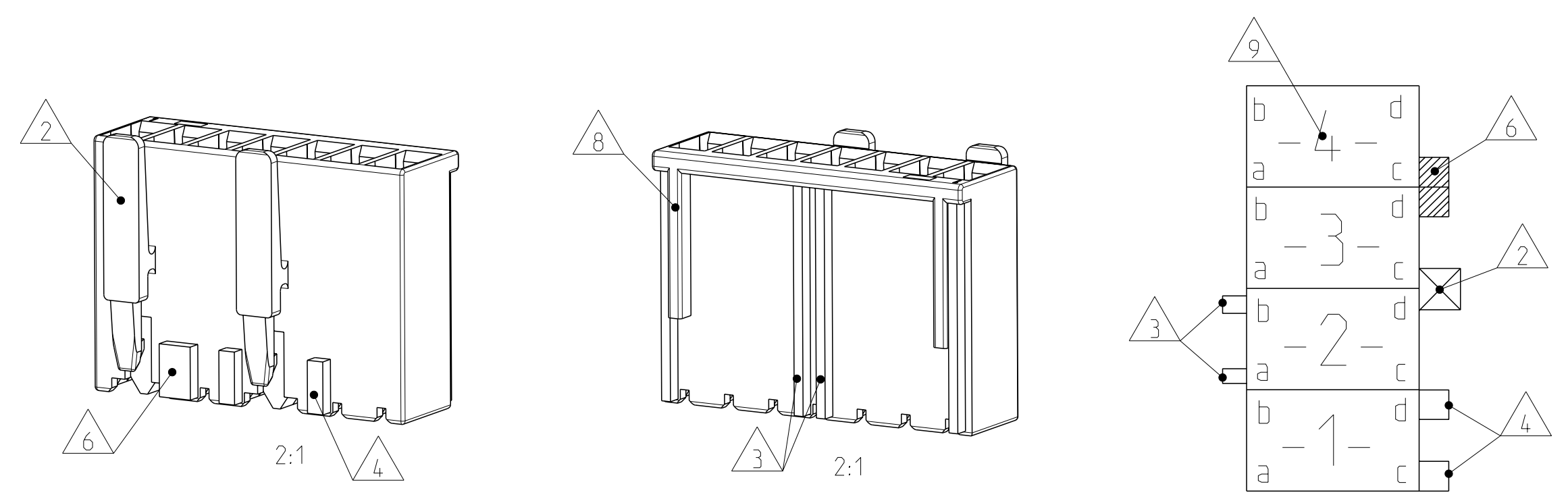


REVISONS		DATE	OWN	APVD
#	DESCRIPTION			
B52	ECR-21-101078	25MAR2021	PJ	FL
B53	ECR-21-101710	15APR2021	PJ	FL
B54	ECR-21-103933	14 JUN2021	PJ	FL
B55	ECR-21-124787	23DEC2021	DC	FL

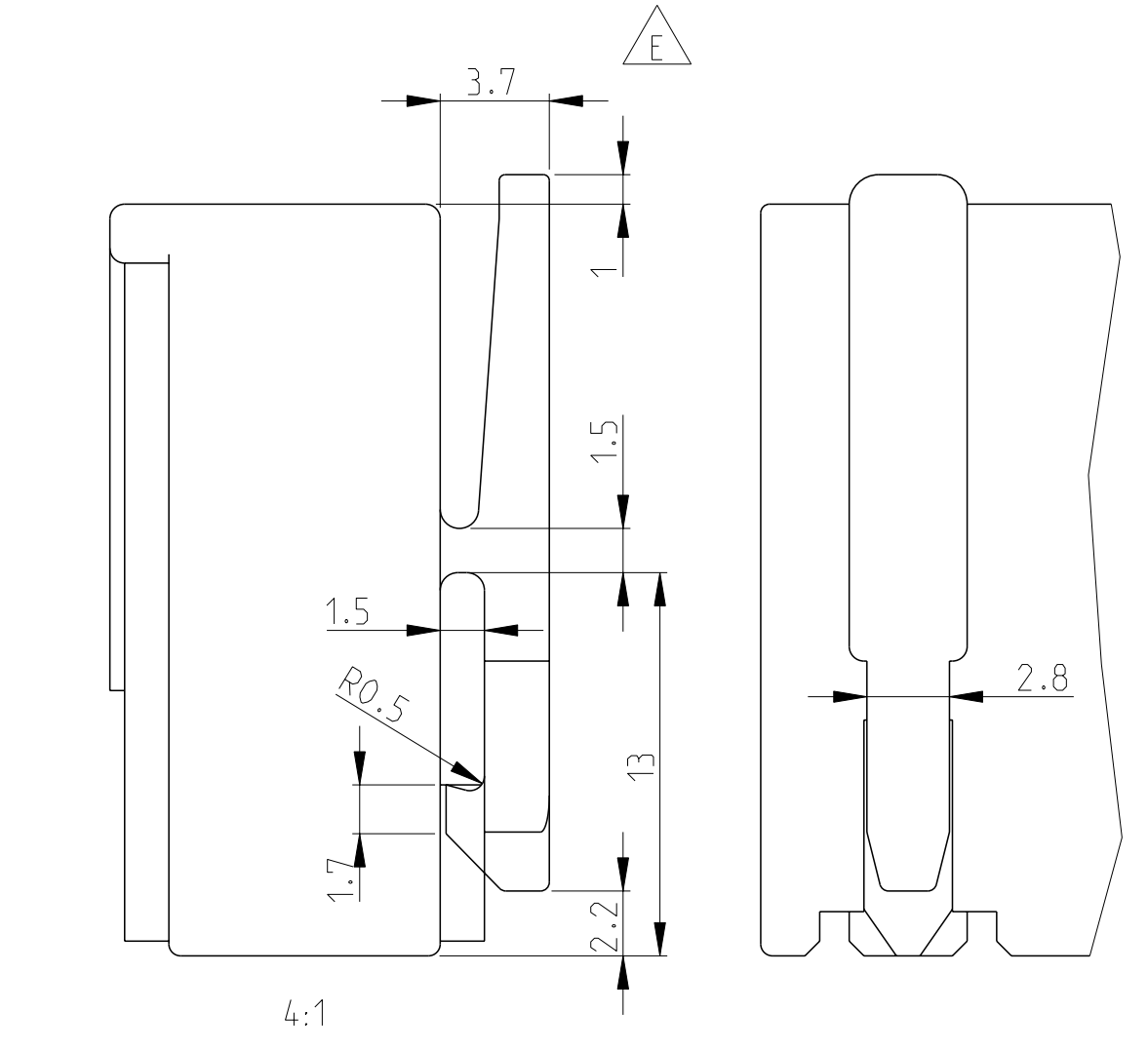
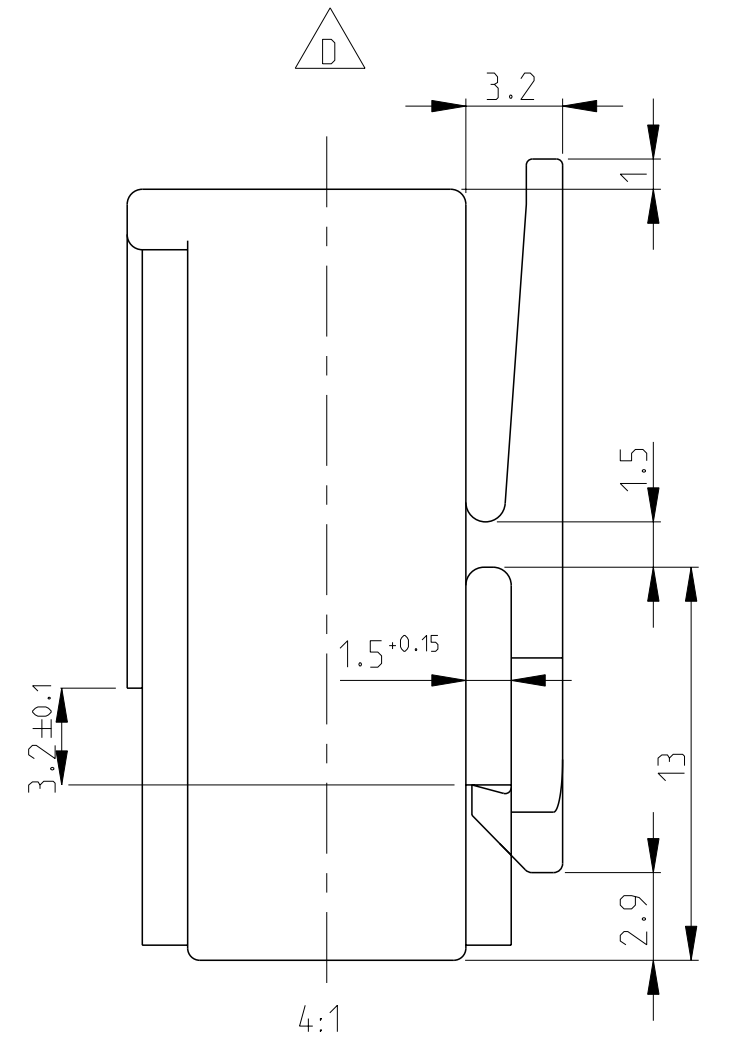
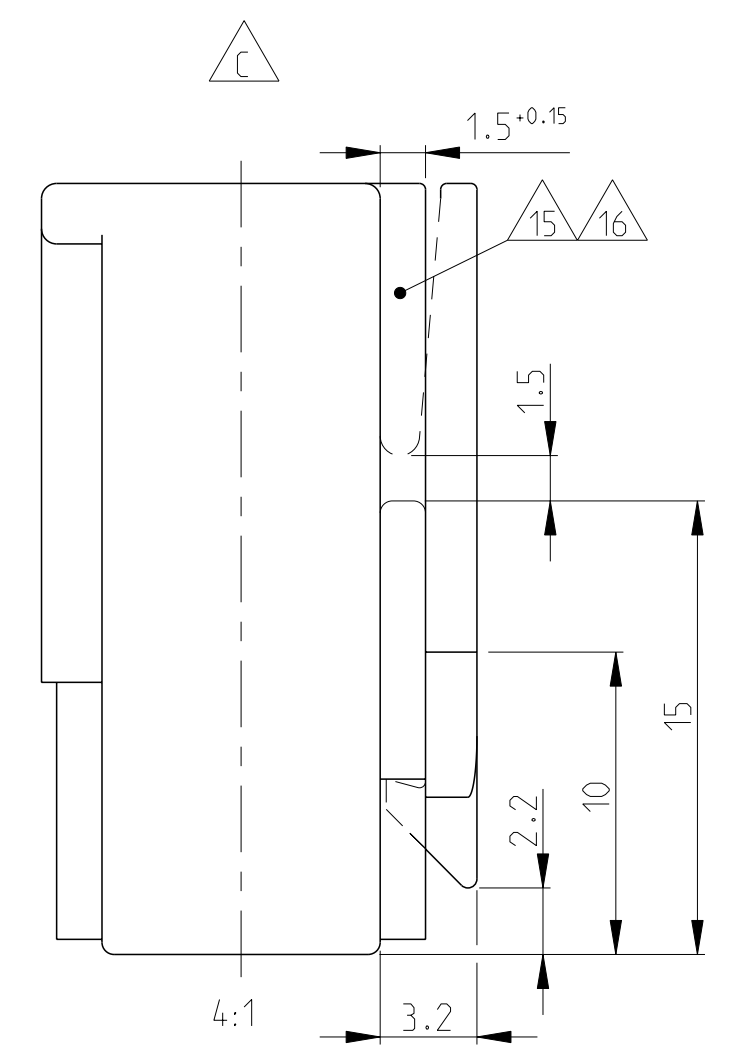
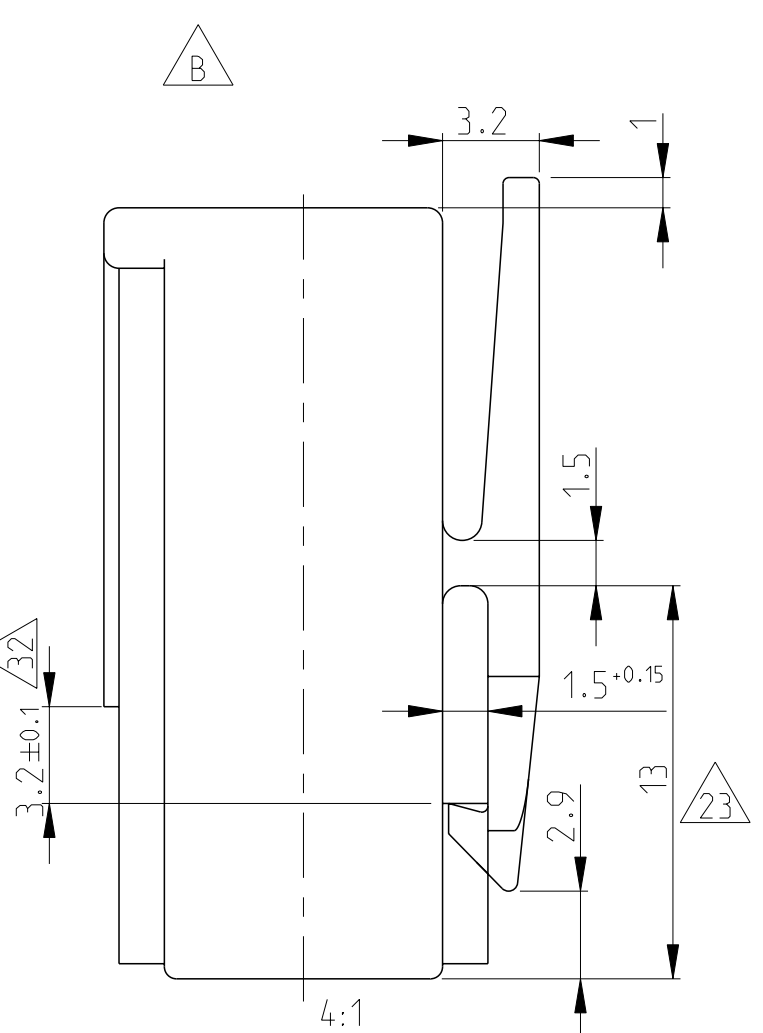
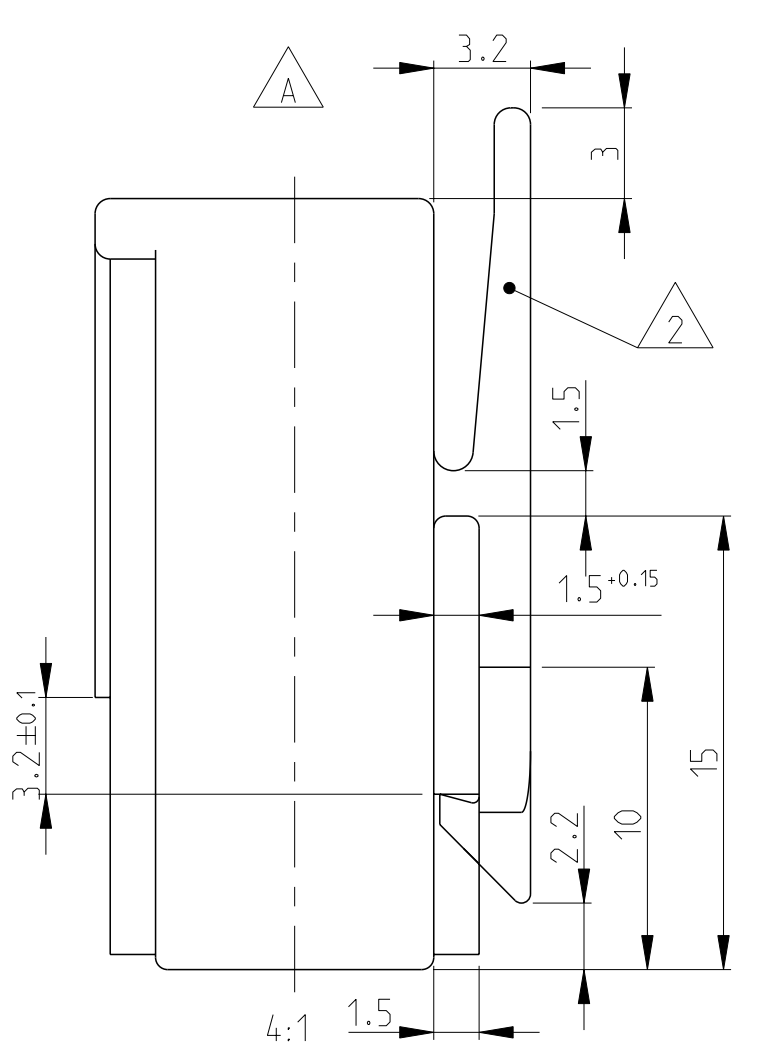
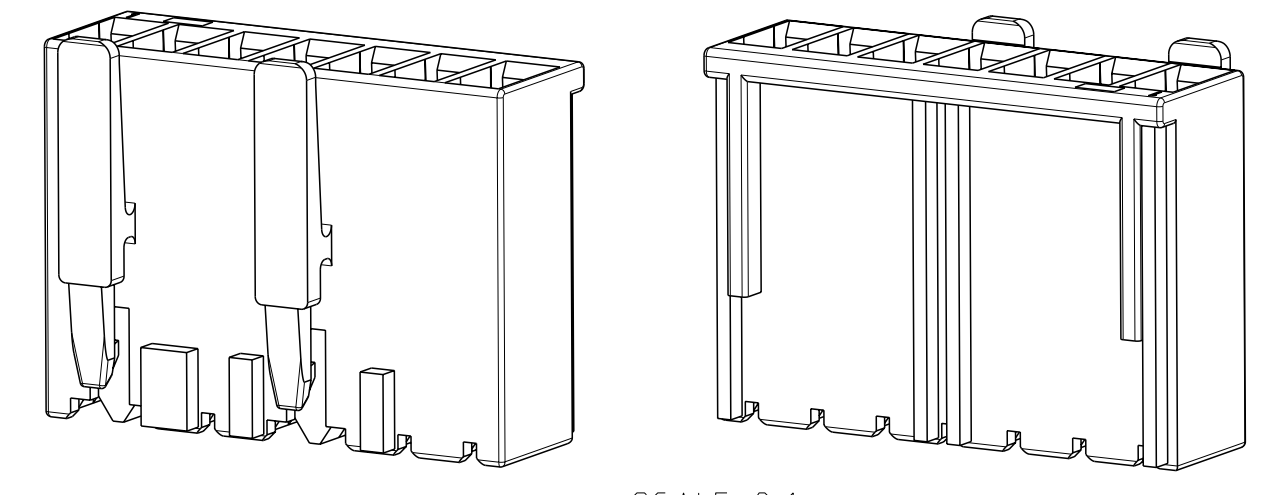
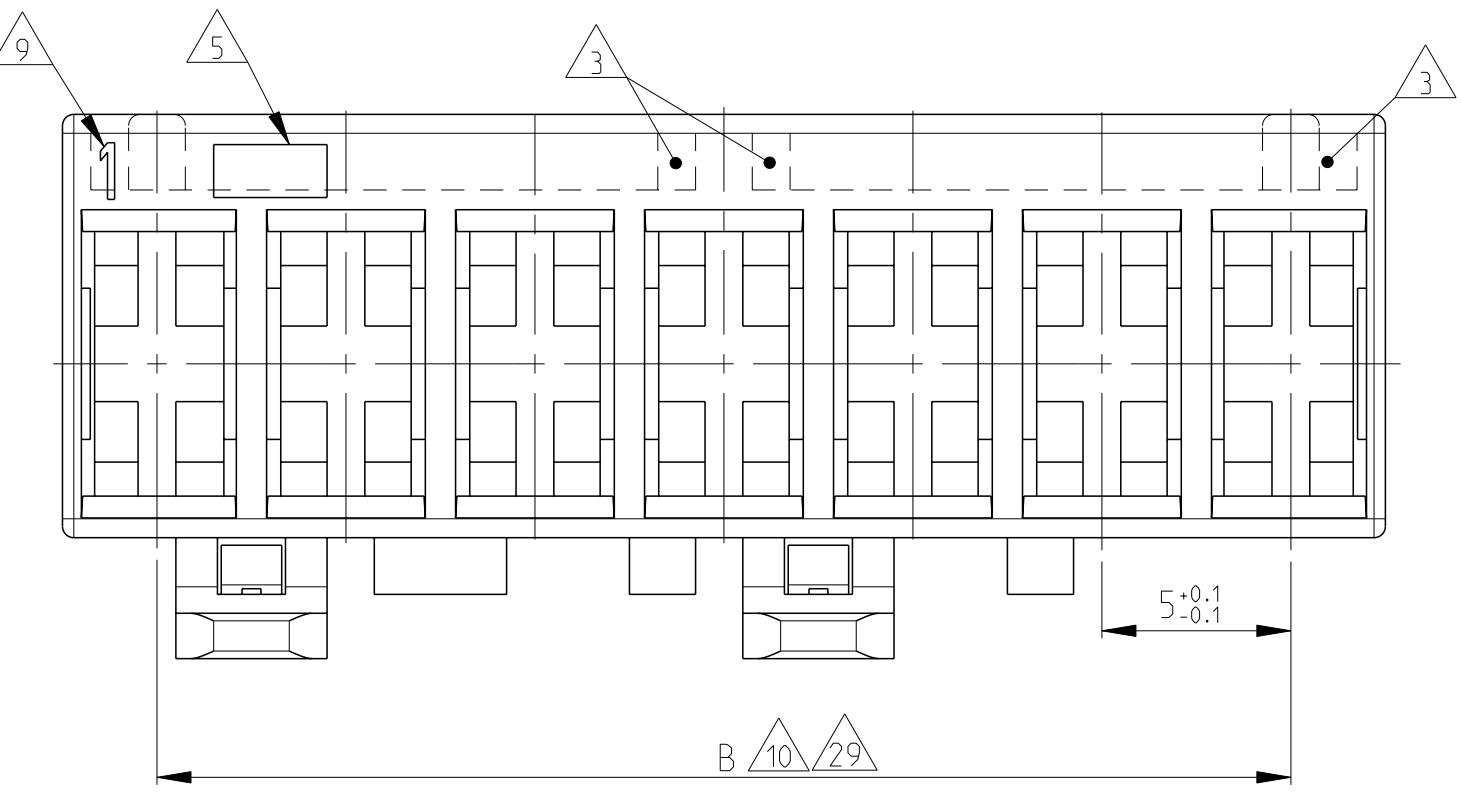


DESCRIPTION
 POSITION OF THE KEYING RIBS, POLARISATION RIBS AND THE LOCKING LATCH



PAY ATTENTION!
 DIFFERENT LOCKING LATCHES

ALL OTHER DIMENSIONS ARE SAME



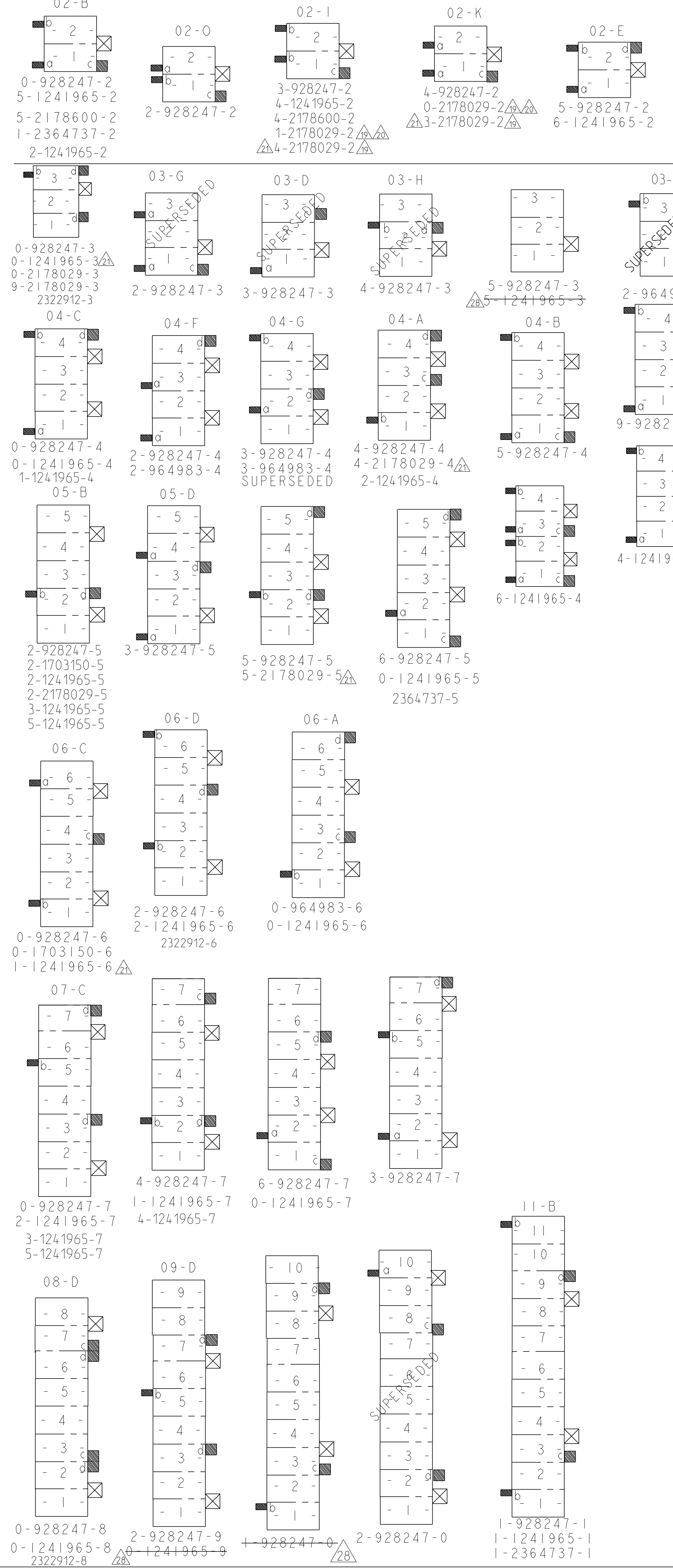
- 1 CAVITY SUITABLE TO STANDARD TIMER CONTACTS LISTED IN PROD. SPEC: 108-18049, ITEM 3.3.2
Kammer geeignet für Standard Timer Kontakte gelistet in Prod. Spec. 108-18049, Punkt 3.3.2
- 2 LOCKING LATCH BETWEEN CAVITY NO. Rasthaken zwischen Kammernummer
- 3 POLARIZATION RIB POSITION "a" OR POSITION "b", AT CAVITY NO. Polarisierungsrippen (Lage "a") oder (Lage "b") versetzt bei Kammer Nr
- 4 KEYING RIB POSITION "c" OR POSITION "d", AT CAVITY NO. Kodierungsrippen nach unten (Lage "c") oder oben (Lage "d") versetzt bei Kammernummer
- 5 AREA FOR TE LOGO ACC. TO SPEC 202-36 Bereich für TE Logo nach Spec. 202-36
- 6 WIDTH KEYING RIB BETWEEN CAVITY NO. Breite Kodierrippe zwischen Kammer Nr.
- 7 SUITABLE TO TAB 6.3x0.8mm AND 4.8x0.8mm ACCORDING TO DIN 46244 Geeignet für Flachstecker 6.3x0.8mm und 4.8x0.8mm nach DIN 46244
- 8 MATING STOP BETWEEN CAVITY NO.1 AND 2, ALSO BETWEEN THE LAST AND THE LAST BUT ONE CAVITY Tiefenanschlag zwischen Kammer Nr.1 und 2, ebenfalls zwischen der letzten und vorletzten Kammer
- 9 CONTACT CAVITY NO. Kammernummer
- 10 DIMENSION A AND DIMENSION B SEE SHEET 2 OF 3 Maß A und Maß B siehe Blatt 2 von 3
- 11 MATED WITH TE CONNECTOR: SEE TABLE, SHEET 2 OF 3 Passender TE Gegenstecker: siehe Tabelle, Seite 2 von 3
- 12 GENERAL SUITABLE TAB HEADER HOUSING SEE RAST 5 PERFORMANCE Generell passende Flachsteckerwanne, siehe RAST 5 Vorgabe
- 13 CONNECTION TO THE PC BOARD SEE DRAWING 88-9935-4 Leiterplattenanschluß siehe Zeichnung 88-9935-4
- 14 SEE TABLE, SHEET 2 OF 3 Siehe Tabelle, Blatt 2 von 3
- 15 MATERIAL CORRESPONDS TO THE REQUIREMENT EN 60335 (INCL. GLOW WIRE TEST 750°C WITHOUT FLAME)
- 16 WIRE TANGLING PROTECTION
- 17 WIRE TANGLING PROTECTION IN COMBINATION WITH CODING RIBS, ONLY VALID FOR VERSIONS 5-964702-3, 0-964702-3, 0-964702-1
- 18 KEYING ACC. TO RAST-5 STANDARD; COLOUR IS DIFFERENT
- 19 8 POS. SPECIAL VERSION WITH SWAGED KEYING RIB
- 20 SPECIAL MATERIAL PA66/6, UL 94 V0
- 21 DIMENSION "A" IS ACCEPTED WITHIN TOLERANCE +0.05/-0.20.
- 22 PRELIMINARY PART- NOT YET RELEASED FOR PRODUCTION
- 23 ONLY FOR PN 2178600-2, 3-2178600-2, 4-2178600-2, 5-2178600-2, TOLERANCE IS +0.4 -0.2, WORST CASE CAN BE OUT OF RAST STANDARD.
- 24 ONLY FOR PN 2178600-2, 3-2178600-2, 4-2178600-2, 5-2178600-2, TOLERANCE IS ±4°
- 25 ONLY FOR PN 3-1241965-5, 3-1241965-7 TOLERANCE IS +0.3 -0.2
- 26 ONLY FOR PN 3-1241965-5, 3-1241965-7 TOLERANCE IS +0.2 -0.2
- 27 ONLY FOR PN 3-1241965-5, 3-1241965-7 TOLERANCE IS +0.05 -0.2
- 28 OBSOLETE PART
- 29 ONLY FOR 4-1241965-7, 1-2364737-1, TOLERANCE IS -0.3
- 30 ONLY FOR 4-1241965-7, TOLERANCE IS +0.2/-0.25
- 31 ONLY FOR 1-2178029-3, TOLERANCE IS +0.15/-0.2

THIS DRAWING IS A CONTROLLED DOCUMENT.		OWN: K. Munz	18 JUL 2017	TE Connectivity
DIMENSIONS: mm		CHK: K. Munz	07-NOV-06	
TOLERANCES UNLESS OTHERWISE SPECIFIED: #±0.2		APVD: Th. Klenner	07-NOV-06	NAME: In-Klempner PRODUCT SPEC: 108-18049-1 APPLICATION SPEC:
MATERIAL: SEE TABLES		FINISH: -	WEIGHT: -	
Customer Drawing		SCALE: 5:1	SHEET: 1 of 4	REV: B55

ADDITIONAL NOTES SEE 3 OF SHEET 4

KEYING PLAN

REVISONS		DATE	OWN	APVD
1	SEE SHEET 1	-	-	-

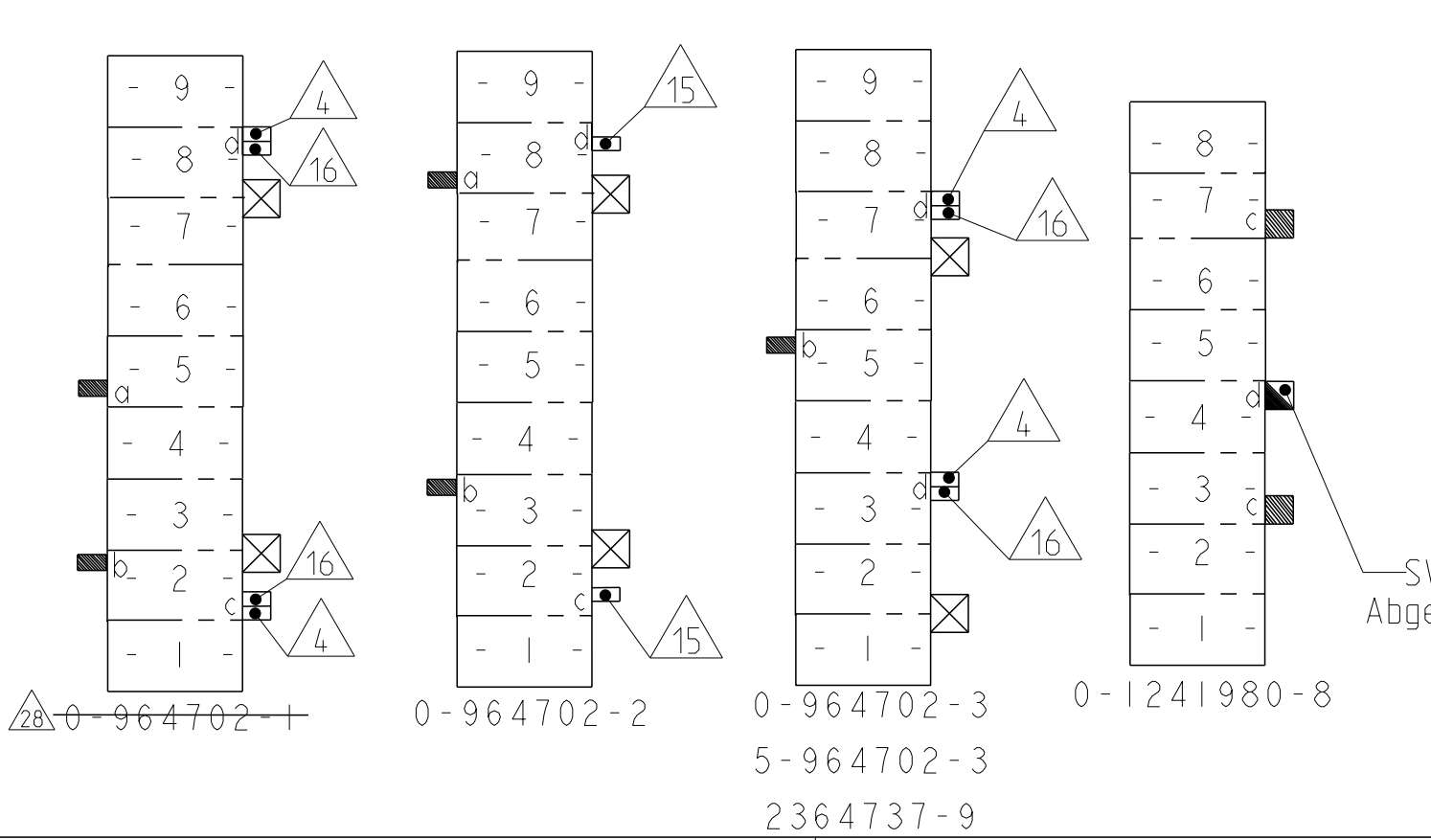


PART NO.	POS.	RAST 5	DIM A	DIM B	COLOUR	MATERIAL	LOCKING LATCH	MATED WITH
Bestell-Nr.	Pol.	Rast 5	Maß A	Maß B	Farbe		Rasthaken	Gegenstecker
3-1241965-7	7	07-C	35	30	NATURAL	PA6 GF15	D	
3-1241965-5	5	05-B	25	20	NATURAL	UL94V-2	D	
8-2178600-2	2	02-C	10	5	NATURAL	PA6 GF15	B	
5-2178600-2	2	02-B	10	5	BLACK	UL94V-2	B	
4-2178600-2	2	02-I	10	5	RED		B	
3-2178600-2	2	02-G	10	5	BLUE		B	
0-2178600-2	2	02-A	10	5	NATURAL		B	
2-1241965-7	7	07-C	35	30	NATURAL	PA6	B	
1-1241965-6	6	06-C	30	25	NATURAL	UL94V-2	B	
0-1241965-6	6	06-A	30	25	NATURAL		B	
5-1241965-3	3	-	15	10	NATURAL		A	
0-1241965-3	3	-	15	10	NATURAL		B	
6-1241965-2	2	02-E	10	5	NATURAL		B	

PART NO.	POS.	RAST 5	DIM A	DIM B	COLOUR	MATERIAL	LOCKING LATCH	MATED WITH
Bestell-Nr.	Pol.	Rast 5	Maß A	Maß B	Farbe		Rasthaken	Gegenstecker
5-2178029-5	5	-	25	20	GREEN		B	
2-2178029-5	5	-	25	20	BLACK		B	
4-2178029-4	4	-	20	15	NATURAL		B	
9-2178029-3	3	-	15	10	YELLOW		B	
1-2178029-3	3	-	15	10	NATURAL		B	
0-2178029-3	3	-	15	10	NATURAL		B	
5-2178029-2	2	02-B	10	5	NATURAL	PA66/6	B	
4-2178029-2	2	02-I	10	5	NATURAL	UL94V-0	B	
3-2178029-2	2	02-K	10	5	NATURAL		B	
2-2178029-2	2	02-B	10	5	BLACK		B	
1-2178029-2	2	02-I	10	5	RED		B	
0-2178029-2	2	02-K	10	5	GREEN		B	

PART NO.	POS.	RAST 5	DIM A	DIM B	COLOUR	MATERIAL	LOCKING LATCH	MATED WITH
Bestell-Nr.	Pol.	Rast 5	Maß A	Maß B	Farbe		Rasthaken	Gegenstecker

SPECIAL VERSIONS SEE SHEET 3 OF 3



POS.	RAST 5	DIM A	DIM B	COLOUR	MATERIAL	LOCKING LATCH	MATED WITH
Pol.	Rast 5	Maß A	Maß B	Farbe		Rasthaken	Gegenstecker
7-1241965-2	2	02-M	10	5	NATURE		
0-1241980-8	8	-	40	35	NATURE/natur	UL94 V-0	B
5-964702-3	-	-	-	-	NATURE/natur		
0-964702-3	9	-	45	40	NATURE/natur	UL94V-2	C
0-964702-2	-	-	-	-	BLACK/schwarz		
0-964702-1	-	-	-	-	NATURE/natur		
0-964983-6	6	06-A	30	25	WHITE/weiß		
3-1241817-4	4	04-G	20	15	GREY/grau		
2-964983-4	4	04-F	20	15	ORANGE/orange		
2-1241817-3	3	03-K	15	10	GREEN/grün	UL94V-2	B
2-964983-2	2	02-M	10	5	VIOLET/violett (lila)		
2-964983-2	2	02-G	10	5	BLUE/blau		
0-964983-2	2	02-D	10	5	BLACK/schwarz		
1-1241965-1	11	11-B	55	50	NATURE/natur		
0-1241965-9	9	09-D	45	40	NATURE/natur		
0-1241965-8	8	08-D	40	35	NATURE/natur		
1-1241965-7	7	-	35	30	NATURE/natur		
0-1241965-7	7	-	35	30	NATURE/natur		
2-1241965-6	6	06-D	30	25	NATURE/natur		
2-1241965-5	5	05-B	25	20	NATURE/natur		
0-1241965-5	5	-	25	20	NATURE/natur	UL94V-2	B
6-1241965-4	4	-	20	15	NATURAL		
0-1241965-4	4	04-C	20	15	NATURE/natur		
9-1241965-2	2	-	10	5	NATURE/natur		
5-1241965-2	2	02-B	10	5	BLACK/schwarz		
4-1241965-2	2	02-I	10	5	RED/rot		
3-1241965-2	2	02-G	10	5	BLUE/blau		
0-1241965-2	2	02-A	10	5	NATURE/natur		
1-928247-1	11	11-B	55	50	YELLOW/gelb		
2-928247-0	10	-	50	45	GREY/grau		
1-928247-0	10	-	50	45	BROWN/braun	UL94V-2	B
2-928247-9	9	09-D	45	40	BLUE/blau		
0-928247-8	8	08-D	40	35	BLUE/blau		
6-928247-7	7	-	35	30	GREEN/grün		
4-928247-7	7	-	35	30	NATURE/natur		
3-928247-7	7	-	35	30	NATURE/natur	UL94V-0	A
0-928247-7	7	07-C	35	30	GREY/grau		
2-928247-6	6	06-D	30	25	BLUE/blau		
0-1703150-6	6	06-C	30	25	GREY/grau		
0-928247-6	6	06-C	30	25	GREY/grau	UL94V-2	B
6-928247-5	5	-	25	20	NATURE/natur		
5-928247-5	5	-	25	20	GREEN/grün		
3-928247-5	5	05-D	25	20	BLUE/blau		
2-1703150-5	5	05-B	25	20	BLACK/schwarz		
2-928247-5	5	05-B	25	20	BLACK/schwarz		
9-928247-4	4	-	20	15	NATURE/natur	UL94V-0	A
5-928247-4	4	04-B	20	15	BLACK/schwarz		
4-928247-4	4	04-A	20	15	NATURE/natur		
3-928247-4	4	04-G	20	15	VIOLET/violett (lila)		
2-928247-4	4	04-F	20	15	WHITE/weiß		
0-928247-4	4	04-C	20	15	GREY/grau		
5-928247-3	3	-	15	10	NATURE/natur		
4-928247-3	3	03-H	15	10	BROWN/braun	UL94V-2	B
3-928247-3	3	03-D	15	10	BLUE/blau		
2-928247-3	3	03-G	15	10	VIOLET/violett (lila)		
0-928247-3	3	-	15	10	YELLOW/gelb		
9-928247-2	2	-	10	5	NATURE/natur		
8-928247-2	2	02-C	10	5	GREY/grau		
7-928247-2	2	02-P	10	5	PURPLED/purpurrot		
6-928247-2	2	02-A	10	5	NATURE/natur		
5-928247-2	2	02-E	10	5	GREEN/grün		
4-928247-2	2	02-K	10	5	YELLOW GREEN/gelbgrün		
3-928247-2	2	02-I	10	5	ORANGE/orange		
2-928247-2	2	02-O	10	5	PINK/rosa		
0-928247-2	2	02-B	10	5	BLACK/schwarz		

Customer Drawing

SCALE 5:1 SHEET 2 OF 4 REV B55

TE Connectivity

2-12 POS. STANDARD TIMER HSG WITH EXTERIOR LOCKING

Customer Drawing

Customer Drawing


LOC	DIST	REVISIONS					
		P	LYR	DESCRIPTION	DATE	OWN	APVD
A1	-			SEE SHEET 1			

- 32 ONLY FOR 2322912-3. TOLERANCE IS +0.1/-0.15
- 33 ONLY FOR 2322912-6. 1-2364737-1. TOLERANCE IS -0.30
- 34 CANDIDATE PRELIMINARY P/N. NOT YET OFFICIAL. ONLY FOR DISCUSSION. NOT YET RELEASED FOR PRODUCTION.
- 35 DOUBLE SOURCE RESIN: ALTERNATIVE RESIN UNDER APPROVAL.

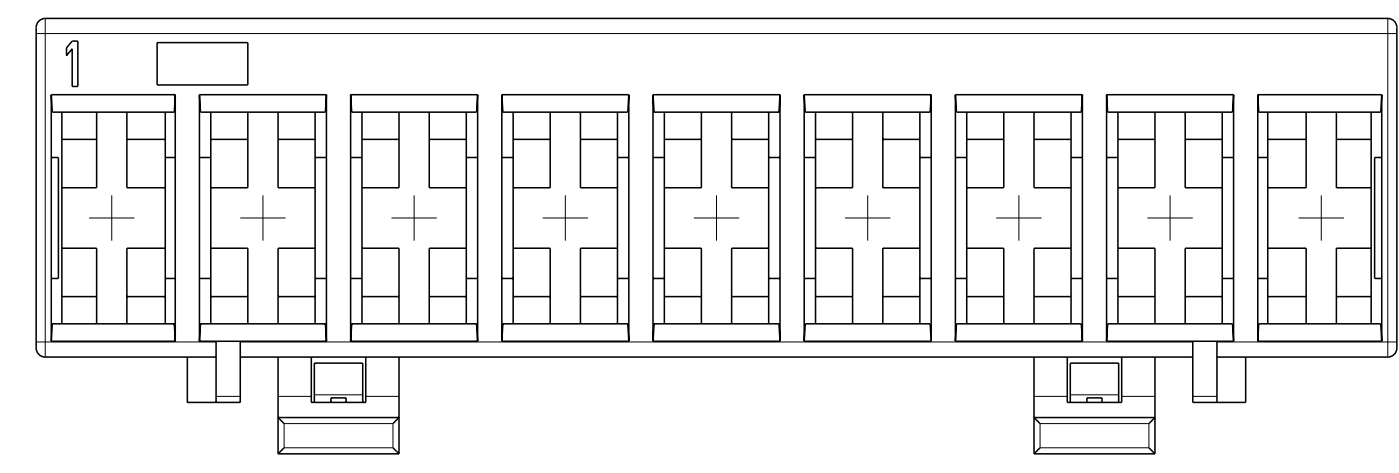
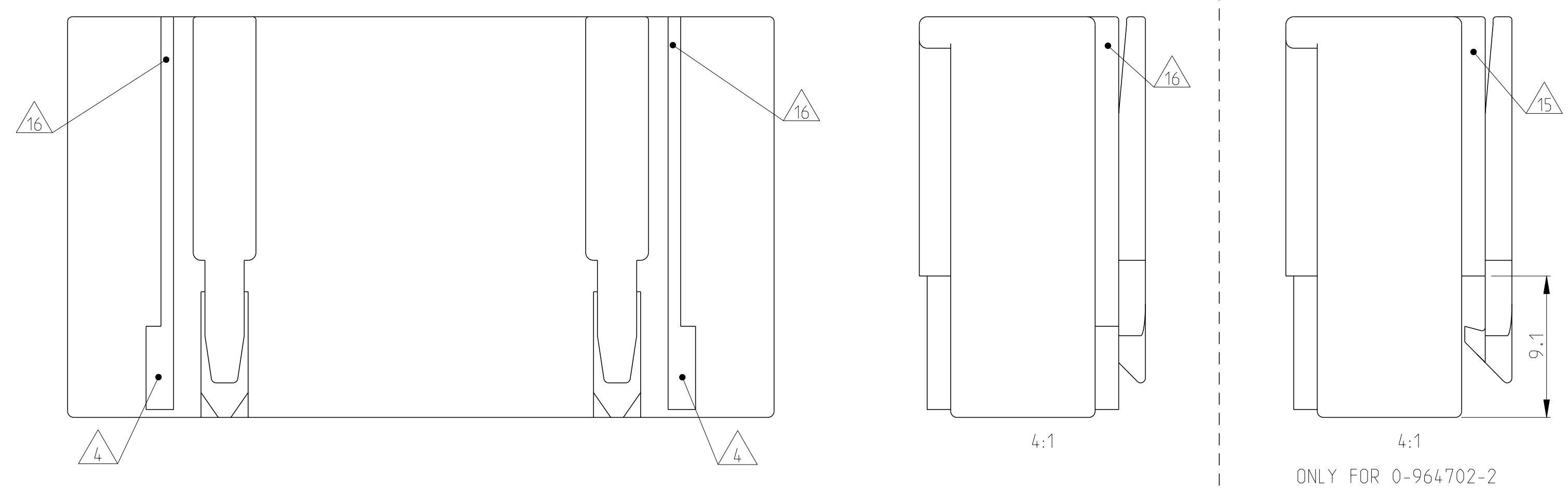
	5-1241965-5	5	05-B	25	20	NATURAL	UL94-V0 & GW EPT 750 no flame	E	△ △	
△ △	1-2364737-1	11	11-B	55	50	BLUE	UL94-V0 & GW EPT 750 no flame	B	△ △	
	2364737-9	9	-	45	40	BLUE		C	△ △	
	2364737-5	5	-	25	20	BLUE		B	△ △	
	1-2364737-2	2	02-B	10	5	BLUE		B	△ △	
	2364737-2	2	02-A	10	5	BLUE		B	△ △	
	2322912-8	8	08-D	40	35	BLUE	PA66 UL94 V0 GW T 750	B	△ △	
	2322912-6	6	06-D	30	25	BLUE		B	△ △	
	2322912-3	3	-	15	10	YELLOW		B	△ △	
	2-2322912-2	2	02-A	10	5	NATURE		B	△ △	
△	1-2322912-2	2	02-G	10	5	BLUE		B	△ △	
	2322912-2	2	02-C	10	5	GREY	B	△ △		
	5-1241965-7	7	07-C	35	30	NATURAL	PA66 UL94 V0 GW T 750 CT1350	E	△ △	
	4-1241965-7	7	-	35	30	NATURAL		E	△ △	
△	5-1241965-5	5	05-B	25	20	NATURAL		E	△ △	
	5-1241965-4	4	-	20	15	NATURAL		E	△ △	
△	4-1241965-4	4	-	20	15	NATURAL		E	△ △	
	3-1241965-4	4	-	20	15	NATURAL		E	△ △	
	2-1241965-4	4	-	20	15	NATURAL		E	△ △	
	1-1241965-4	4	04-C	20	15	NATURAL		E	△ △	
	8-1241965-2	2	02-C	10	5	NATURAL		E	△ △	
	2-1241965-2	2	-	10	5	NATURAL		E	△ △	
	PART NO.	POS.	RAST 5	DIM A	DIM B	COLOUR	MATERIAL	LOCKING LATCH	MATED WITH	
	SPECIAL VERSION: UL94 V0 & GW T 750									

2345754-1	2	02-C	10	5	NATURAL	PA66 UL94 V0	E	△ △
PART NO.	POS.	RAST 5	DIM A	DIM B	COLOUR	MATERIAL	LOCKING LATCH	MATED WITH
SPECIAL VERSION: UL94 V0								

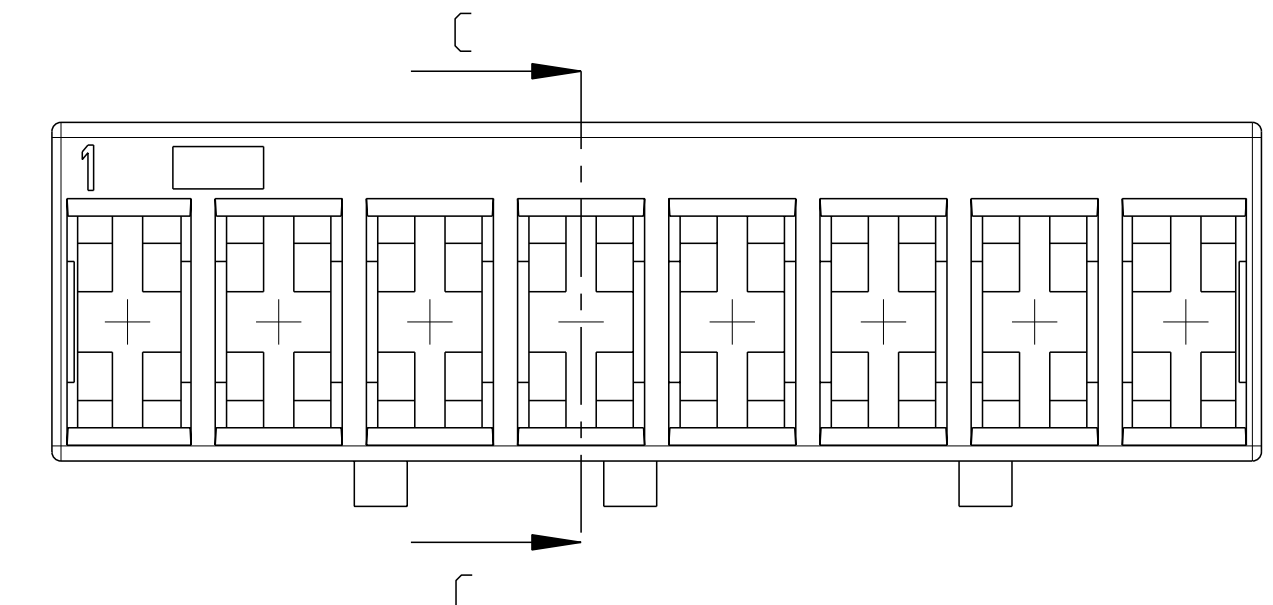
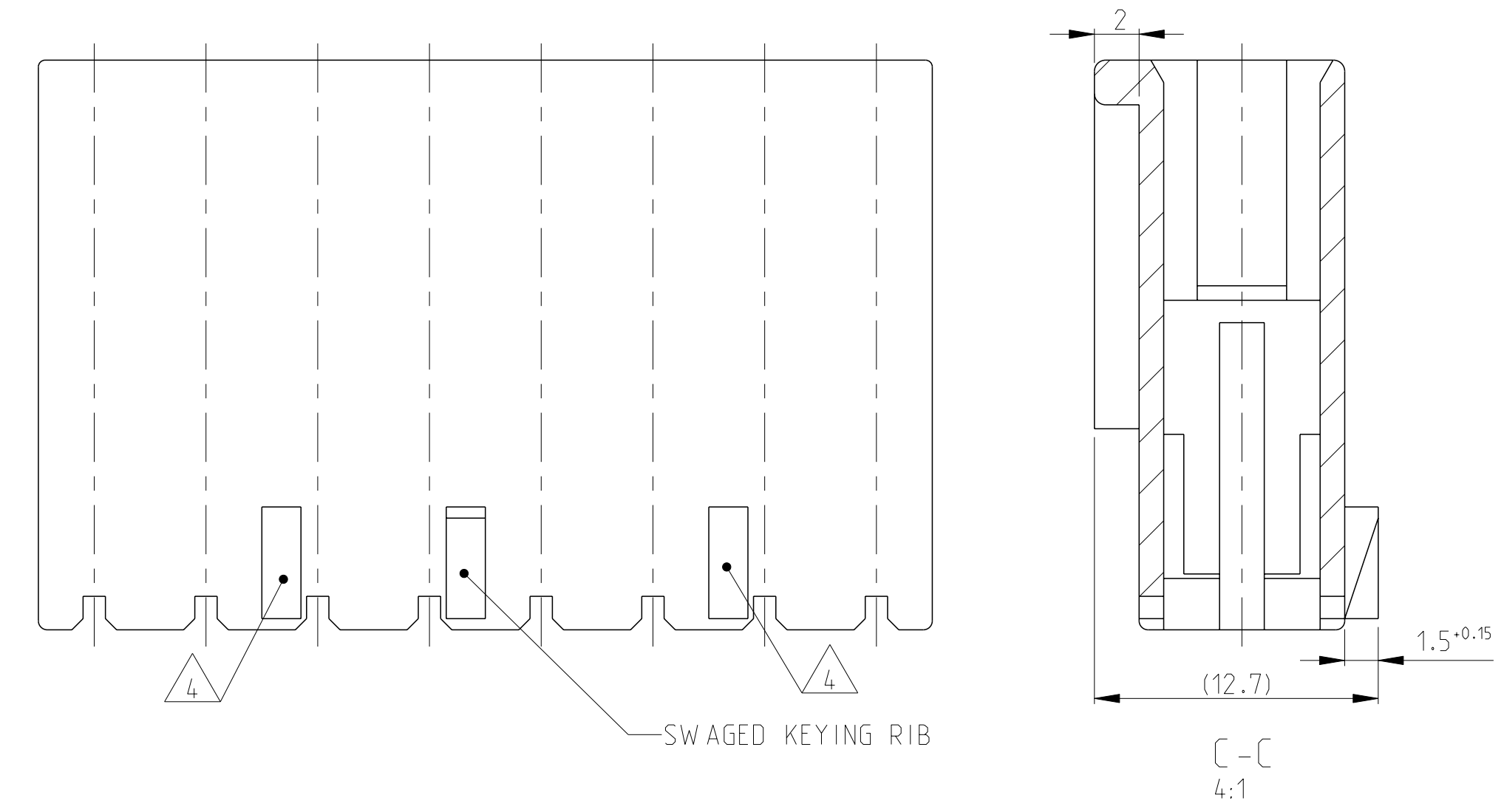
KEYING PLAN SEE SHEET 2 OF 4

THIS DRAWING IS A CONTROLLED DOCUMENT.		OWN: Kishor M 18 JUL 2017	 TE Connectivity	
DIMENSIONS: mm		CHK: K. Munz 07-NOV-06		
TOLERANCES UNLESS OTHERWISE SPECIFIED:		APVD: Th. Klenner 07-NOV-06	NAME: 2-12 POS. STANDARD TIMER HSG WITH EXTERIOR LOCKING	
0 PLC ±0.1 1 PLC ±0.1 2 PLC ±0.01 3 PLC ±0.001 4 PLC ±0.001 ANGLES FINISH *		PRODUCT SPEC: 108-18049	RESTRICTED TO: -	
MATERIAL SEE TABLES		WEIGHT: -	SIZE: A1 00779 C=1241965	
		Customer Drawing	SCALE: 5:1	SHEET 3 OF 4

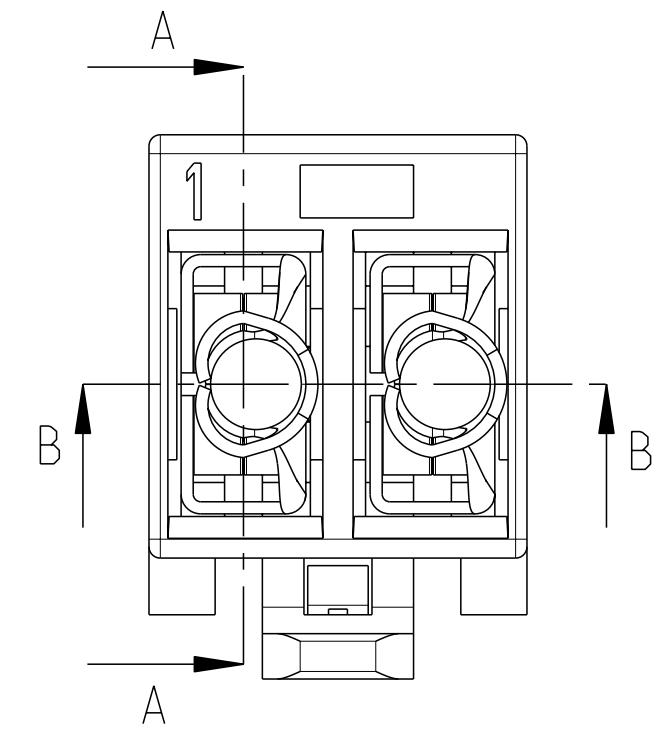
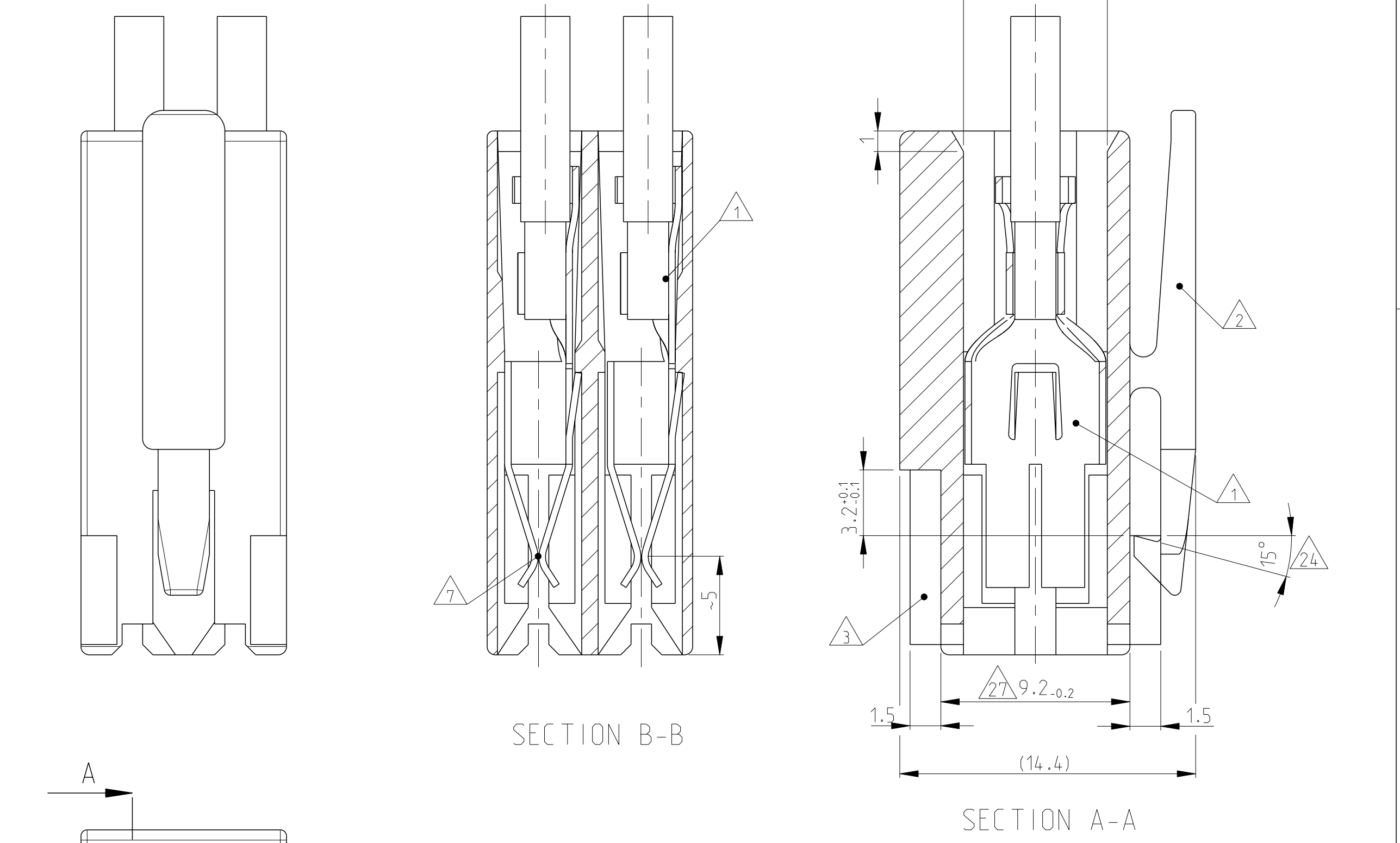
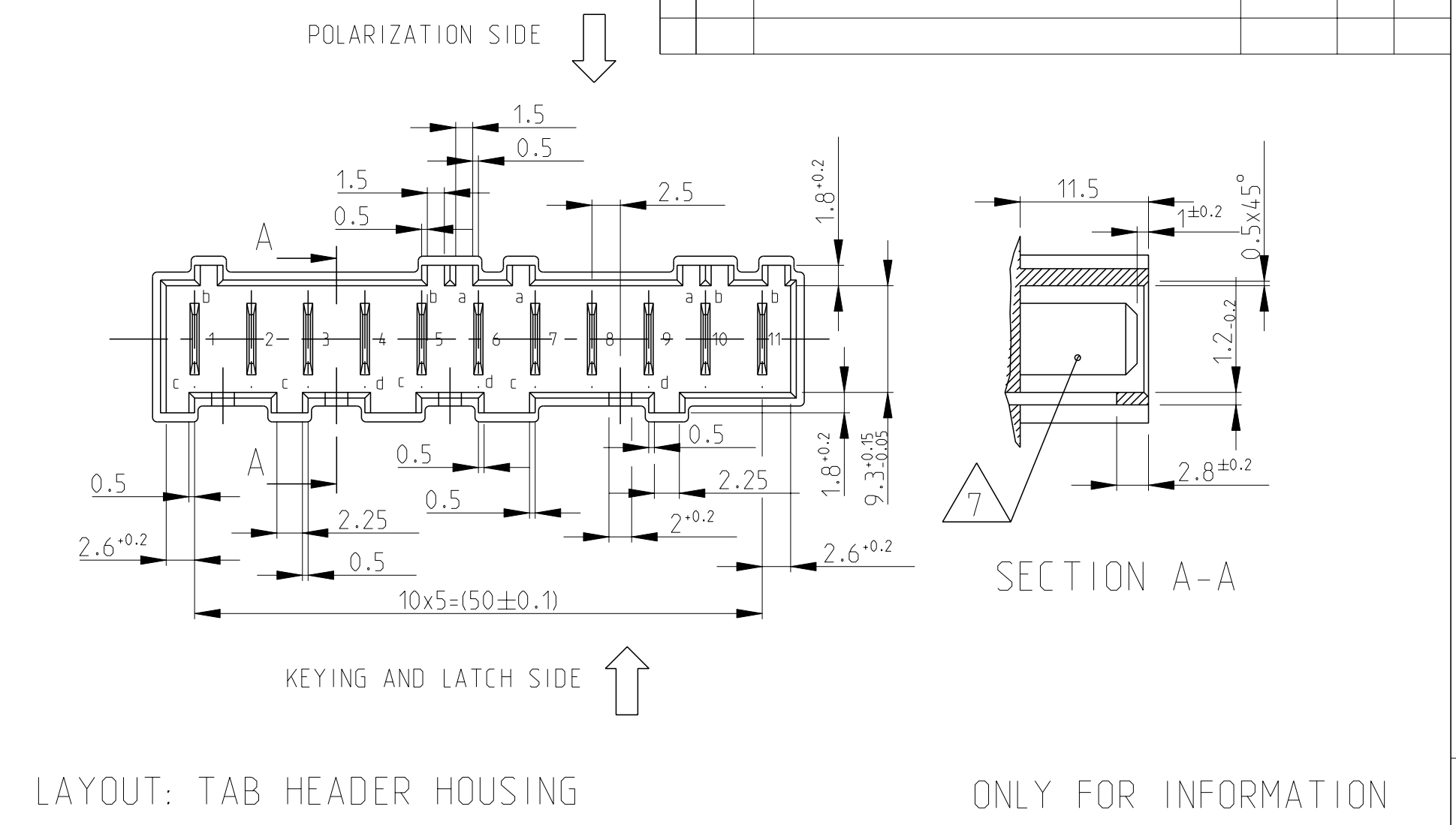
SPECIAL VERSIONS $\triangle 15$ $\triangle 16$
 9 POS STD. TIMER HSG. WITH TANGLING PROTECTION



SPECIAL VERSION $\triangle 18$
 8 POS SPECIAL STD. TIMER HSG.



LOC	DIST	REV	DESCRIPTION	DATE	OWN	APVD
A1	-	-	SEE SHEET 1	-	-	-



THIS DRAWING IS A CONTROLLED DOCUMENT.		OWN: Kistor M 18JUL2017	TE Connectivity
DIMENSIONS: mm		CHK: K. Munz 07-NOV-06	
TOLERANCES UNLESS OTHERWISE SPECIFIED: ±0.2		APVD: Th. Klenner 07-NOV-06	NAME: 2-12 POS. STANDARD TIMER HSG WITH EXTERIOR LOCKING
0-PLC ±0.2 1-PLC ±0.1 2-PLC ±0.1 3-PLC ±0.001 4-PLC ±0.0001		PRODUCT SPEC: 108-18049	SIZE: A1
MATERIAL: SEE TABLES		APPLICATION SPEC: 108-18049	CAGE CODE DRAWING NO: 00779
ANGLES: FINISH: -		WEIGHT: -	SCALE: 5:1
		Customer Drawing	SHEET 4 OF 4
			REV B55

单击下面可查看定价，库存，交付和生命周期等信息

[>>TE Connectivity\(泰科\)](#)