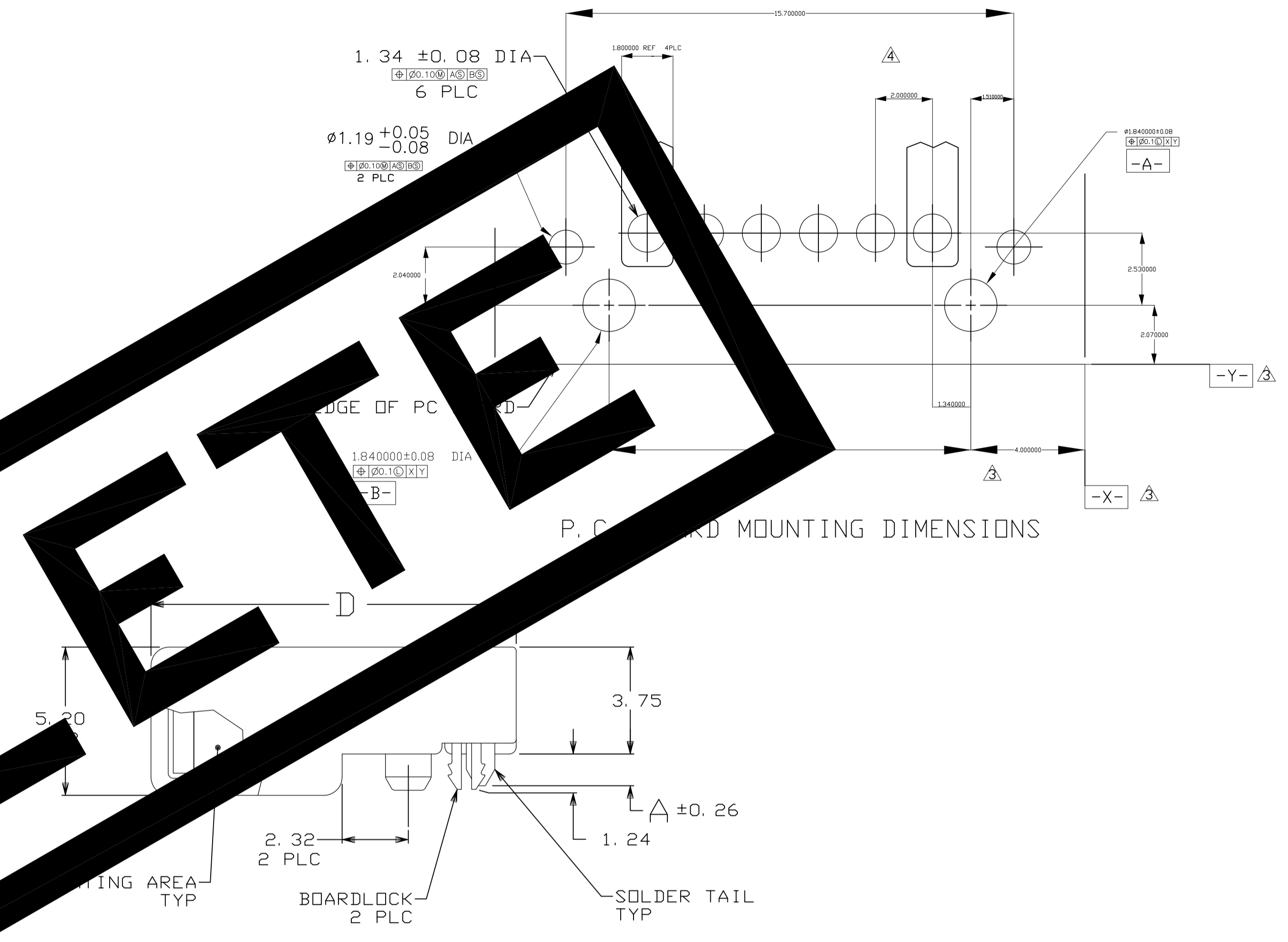
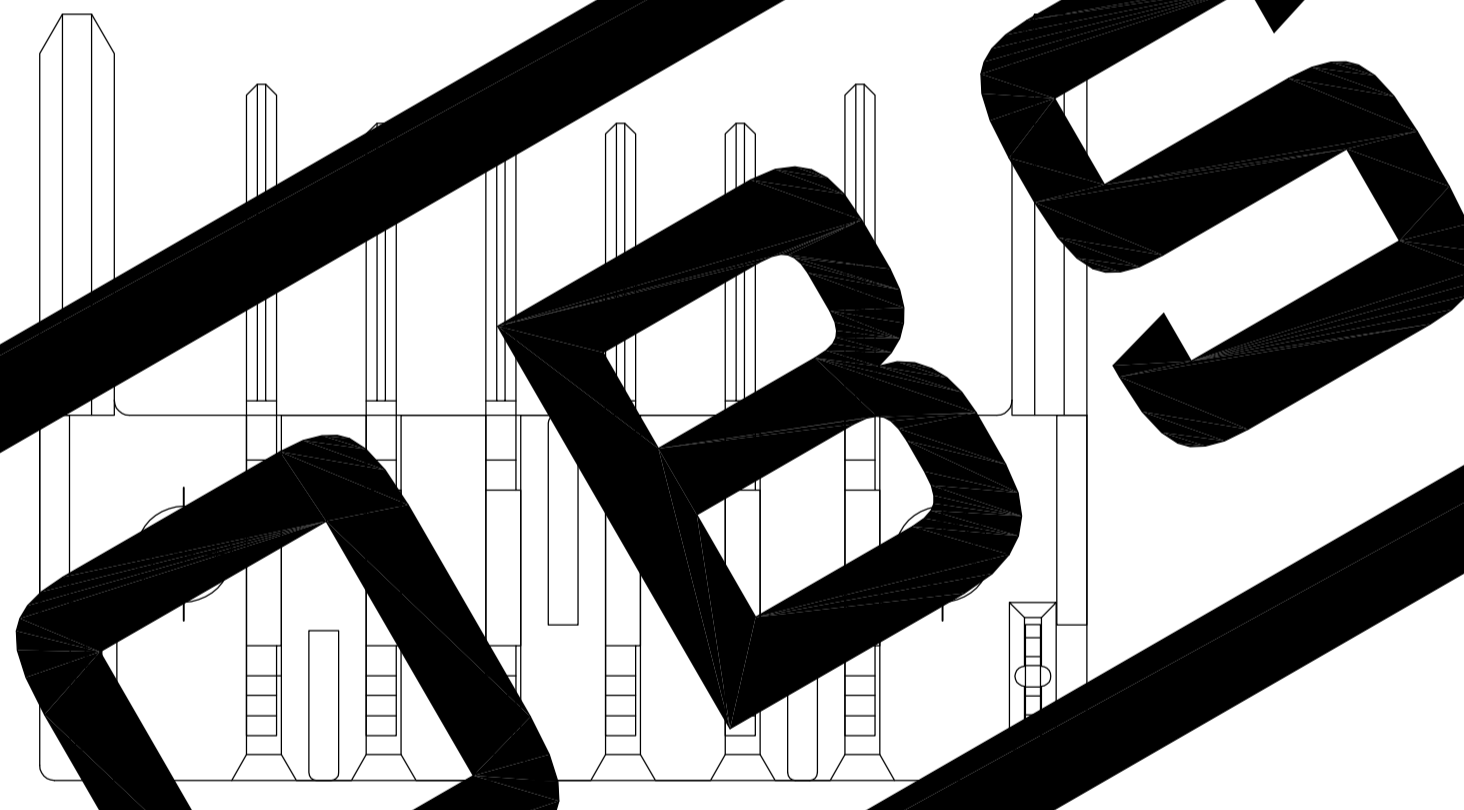
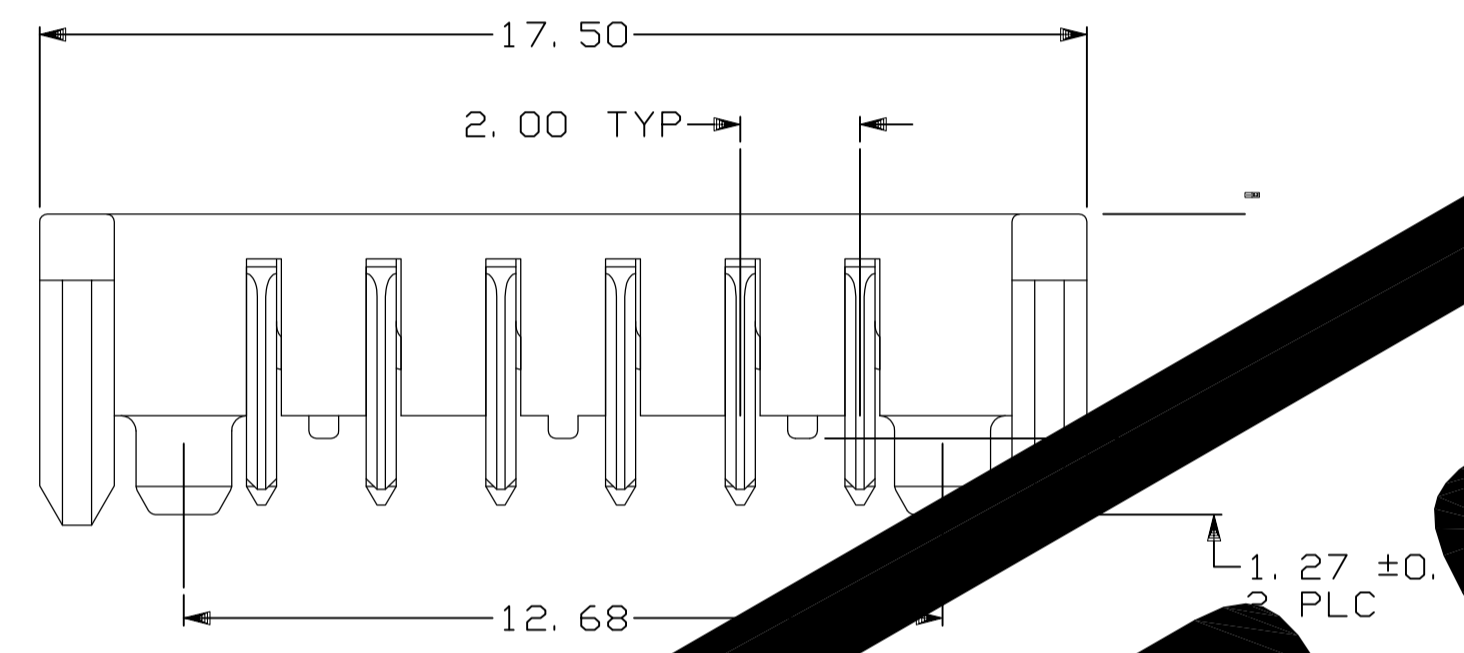
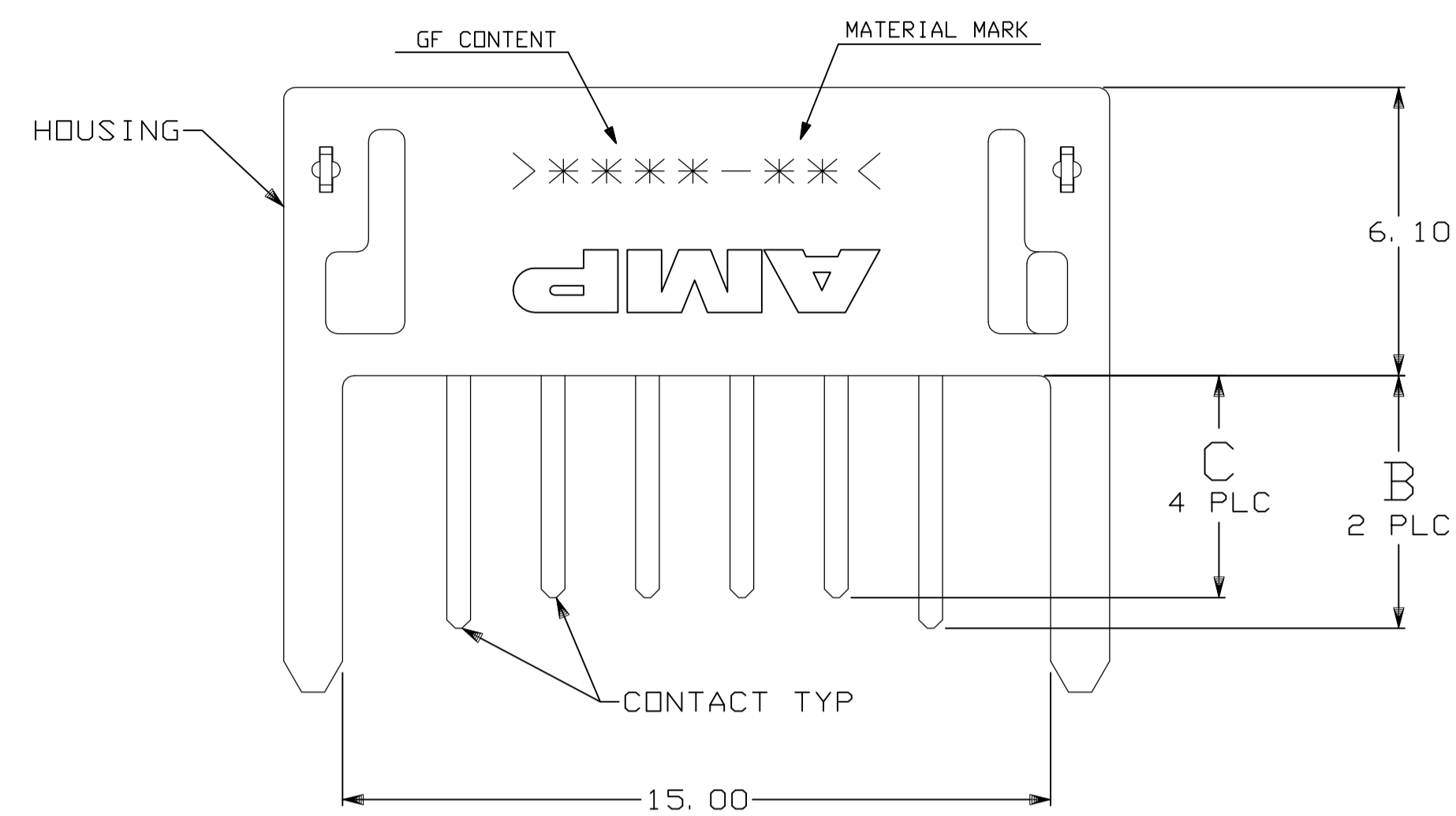


LOC	DIST	REVISIONS			
P	LTR	DESCRIPTION	DATE	DWN	APVD
A		Released ECR-06-007005	22MAR05	A.S	S.Y
A1		REVISED PER ECO-09-024927	07NOV09	KK	AEG
A2		OBSOLETE, REVISED PER ECO-17-016893	01DEC17	AL	WH



OBSOLETE

- ① HOUSING: LCP, 94V-0 RATED, BLACK
 CONTACTS: BRASS
 BOARDLOCKS: COPPER ALLOY.
- ② CONTACTS: 0.076um MINIMUM NICKEL OVER 0.76um MINIMUM PALLADIUM
 NICKEL ON MATING SURFACE, 0.127um MINIMUM TIN ON SOLDER
 TAIL, ALL OVER 1.27um MINIMUM NICKEL.
 BOARDLOCKS: 3.80um MINIMUM TIN OVER 1.27um MINIMUM NICKEL.
- ③ DATUMS AND BASIC DIMENSION ESTABLISHED BY CUSTOMER.
- ④ RECOMMENDED MINIMUM TRACE WIDTH FOR END POSITIONS WHEN CARRYING
 4 AMPS: 1.8 WIDE x 55um THICK, BOTH SIDES.
- ⑤ PRELIMINARY. NOT RELEASED FOR PRODUCTION.
- ⑥ OBSOLETE PARTS: OBSOLETE CIS STREAMLINING PER D.RENAUD/D.SINISI

OBSOLETE	①	10.80	4.70	5.35	2.00	④ -5146877-5
	①	12.80	4.70	5.35	2.00	④ -5146877-4
	①	12.80	5.20	6.10	2.00	④ -5146877-3
	①	12.80	5.20	6.10	1.11	④ -5146877-2
OBSOLETE	①	12.80	4.70	5.35	1.11	④ -5146877-1

MATERIAL	D	C	B	A	PART NUMBER

THIS DRAWING IS A CONTROLLED DOCUMENT.		DWN GAVIN ZHANG 07DEC04	Tyco Electronics Corporation Shanghai, P.R.China, 200233																	
DIMENSIONS: mm		CHK STEVEN YAO 07DEC04																		
TOLERANCES UNLESS OTHERWISE SPECIFIED:		APVD T. ENOMOTO 07DEC04																		
<table border="1"> <tr><td>0 PLC</td><td>±</td><td>-</td></tr> <tr><td>1 PLC</td><td>±</td><td>-</td></tr> <tr><td>2 PLC</td><td>±</td><td>0.13</td></tr> <tr><td>3 PLC</td><td>±</td><td>-</td></tr> <tr><td>4 PLC</td><td>±</td><td>-</td></tr> <tr><td>ANGLES</td><td>±</td><td>-</td></tr> </table>		0 PLC		±	-	1 PLC	±	-	2 PLC	±	0.13	3 PLC	±	-	4 PLC	±	-	ANGLES	±	-
0 PLC	±	-																		
1 PLC	±	-																		
2 PLC	±	0.13																		
3 PLC	±	-																		
4 PLC	±	-																		
ANGLES	±	-																		
MATERIAL	FINISH	PRODUCT SPEC	PERFORMANCE HEADER ASSEMBLY, 6 POSITION, MDI																	
		APPLICATION SPEC	SIZE GAGE CODE DRAWING NO RESTRICTED TO																	
		WEIGHT	A1 00779 C=5146877																	
		CUSTOMER DRAWING	SCALE 8:1 SHEET 1 OF 1 REV A2																	

单击下面可查看定价，库存，交付和生命周期等信息

[>>TE Connectivity\(泰科\)](#)