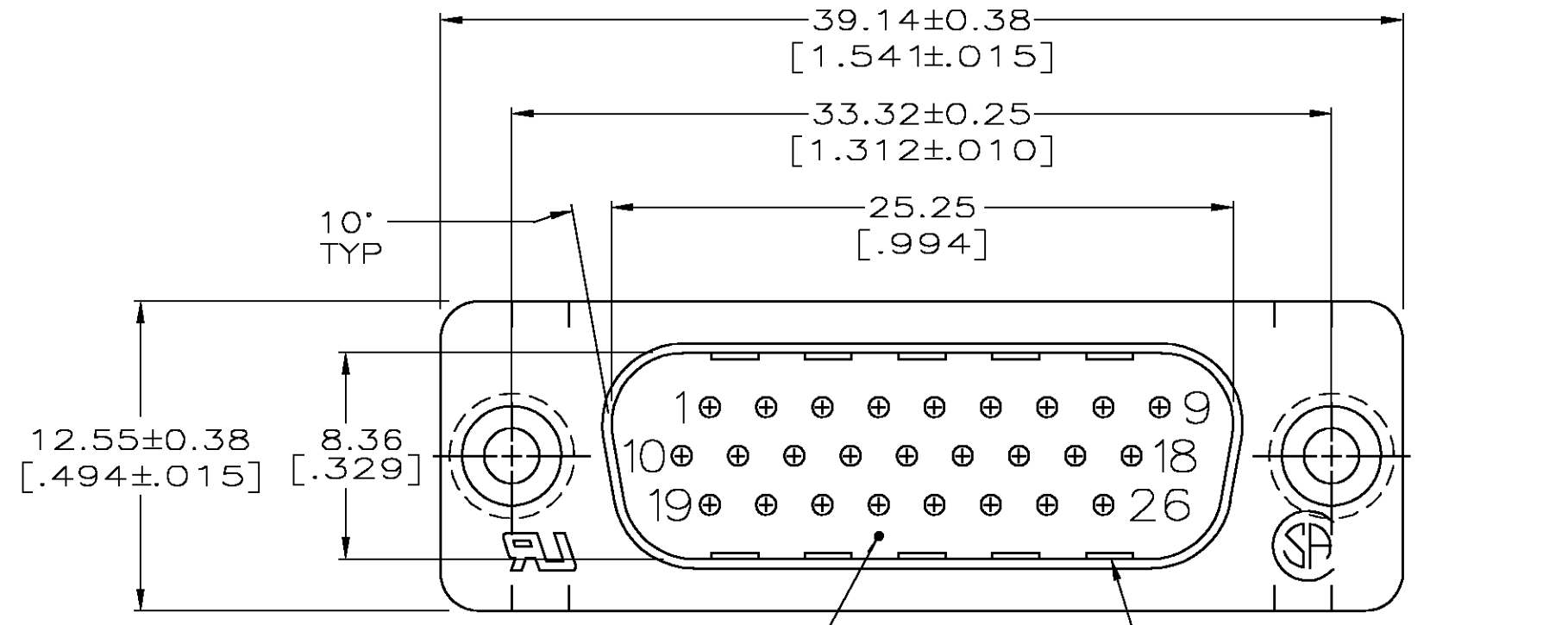
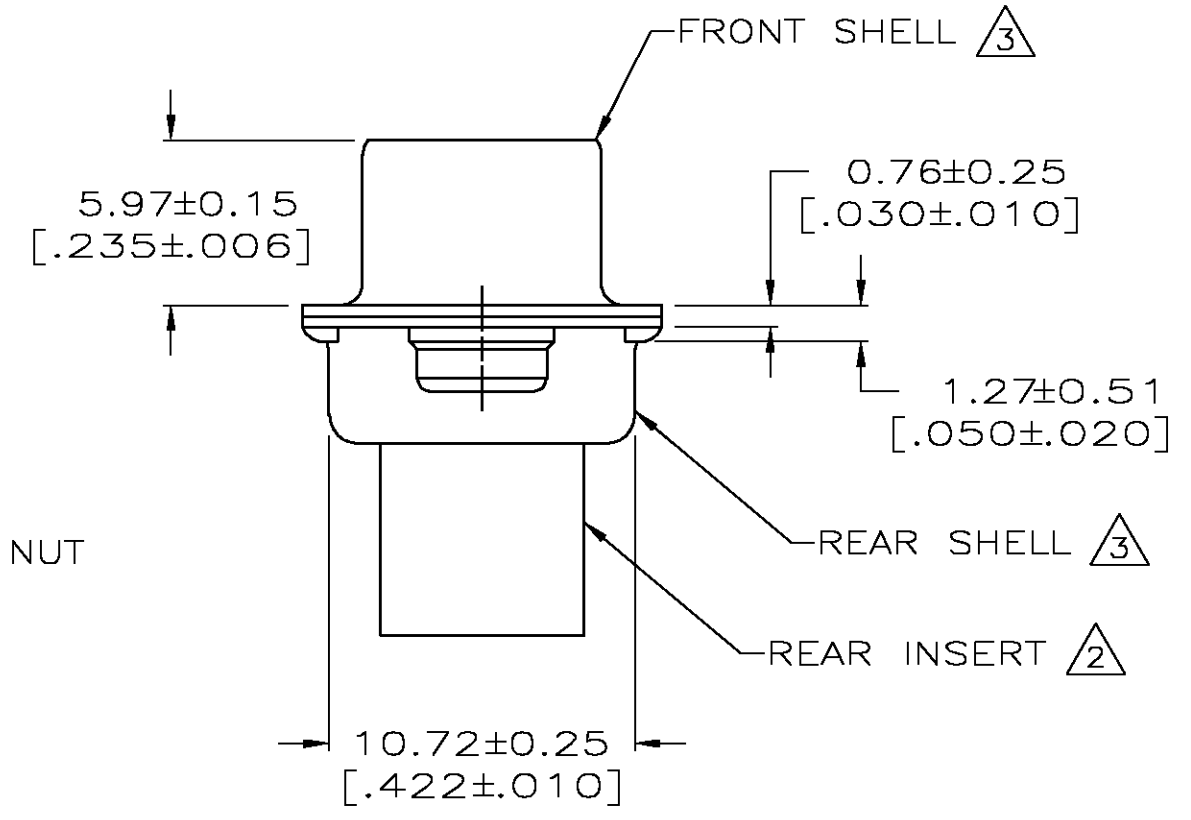
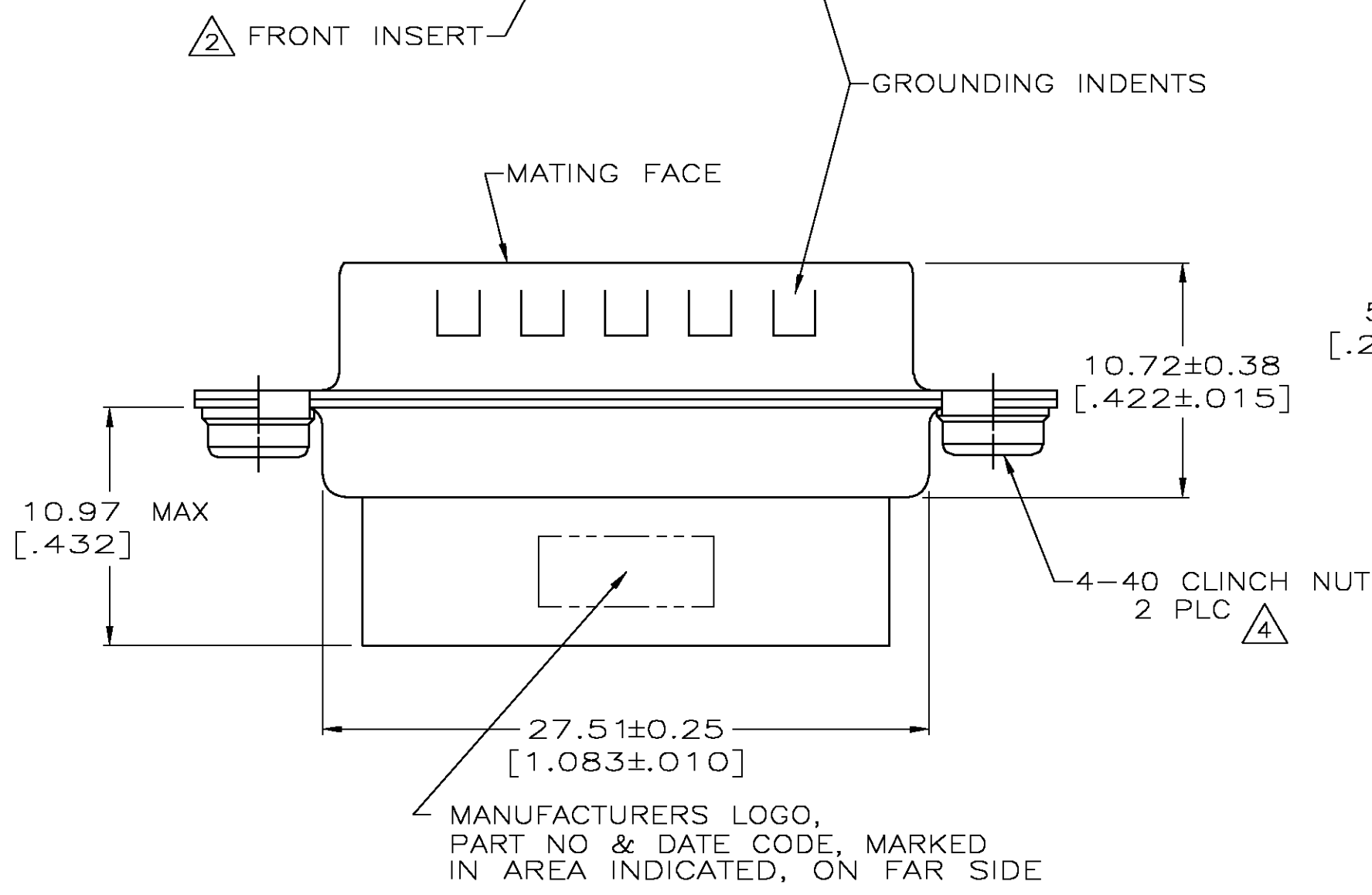


THIS DRAWING IS UNPUBLISHED. RELEASED FOR PUBLICATION
 © COPYRIGHT BY TYCO ELECTRONICS CORPORATION. ALL RIGHTS RESERVED.

LOC	DIST	REVISIONS			
P	LTR	DESCRIPTION	DATE	DWN	APVD
GP	00	0	RELEASED PER EC 0513-0257-04	11-11-04	GA JG



- CONNECTOR ACCEPTS SIZE 22 DF PIN CONTACTS. RETENTION TINES ARE AN INTEGRAL PART OF INSERT.
- FLAME RETARDANT UL 94V-0 RATED GLASS FILLED NYLON, BLACK.
- CARBON STEEL; .000200 MIN TIN OVER .000100 MIN COPPER.
- CARBON STEEL; ZINC PLATED CLEAR CHROMATE.



5749717-1
PART NO

THIS DRAWING IS A CONTROLLED DOCUMENT.		DWN G. ATTADIA - DOCK5 11-11-04	Tyco Electronics Corporation Harrisburg, PA 17105-3608	
DIMENSIONS: mm [INCHES]		CHK J. GERACE 11-11-04	NAME M. WALMSLEY	
TOLERANCES UNLESS OTHERWISE SPECIFIED:		APVD M. WALMSLEY 11-11-04	PRODUCT SPEC 108-1268	
0 PLC ± -		APPLICATION SPEC 114-10001		
1 PLC ± -		SIZE A2		
2 PLC ± 0.13 [.005]		CAGE CODE 00779		
3 PLC ± -		DRAWING NO C-5749717		
4 PLC ± -		RESTRICTED TO -		
ANGLES ± 2'		WEIGHT -		
MATERIAL SEE CALLOUTS		FINISH SEE CALLOUTS		
CUSTOMER DRAWING		SCALE 4:1 SHEET 1 OF 1 REV 0		

单击下面可查看定价，库存，交付和生命周期等信息

[>>TE Connectivity\(泰科\)](#)