

Figure 1

1. INTRODUCTION

AMP* MTA Terminating Head 58247-2 (shown in Figure 1) to terminate unstripped wire sizes 26 through 18 AWG onto MTA-156 closed end IDC (insulation displacement contact) receptacle connectors with or without lock (ramp) and with lock and polarizing tabs. Slotted contacts for IDC termination are pre-assembled on 3.96 mm [.156 in.] centerlines in each color-coded housing for a specific wire size. Refer to Figure 2.

NOTE

The product part numbers listed are not intended to be a complete list. Refer to AMP Catalog 82056.

The head is used in Pistol Grip Manual Handle Assembly 58074-1 or Pistol Grip Pneumatic Handle Assembly 58075-1. Refer to 408-6790 (for manual assembly) or 408-6789 (for pneumatic assembly) for head installation and removal. Read these instructions and referenced documents thoroughly before using the terminating head.

NOTE

Dimensions in this instruction sheet are in metric units [with U.S. customary units in brackets]. Figures are not drawn to scale.

Reasons for reissue of this instruction sheet are provided in Section 8, REVISION SUMMARY.

2. DESCRIPTION

The terminating head serves as a guide and support for the connector during termination. Features of the head and their functions are as follows:

Wire inserter—forces wire into the two slotted beams of the contact. Note that it provides support for the

contact beams when applying insertion force on the wire.

Adjuster (insertion rod)—is a piston for the wire inserter and regulates wire inserter travel.

Feed slide—automatically positions the connector after each termination.

Locating pawl—aligns the connector for insertion, and retains it during termination. The locating pawl is sometimes referred to as the “anti-backup pawl.”

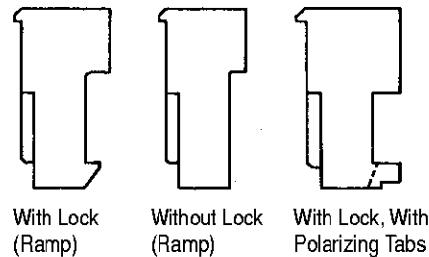
3. SETUP ADJUSTMENT AND TESTING

The adjuster (insertion rod) of the wire inserter is preset for wire sizes 26 through 18 AWG. If the wire is being inserted too deeply or not deeply enough inside the contact, adjustments may be necessary.

3.1. Testing

1. Determine wire size, and select the appropriate color-coded connector. Refer to Figure 2. Dash numbers are used to indicate number of contact positions.

MTA-156 Closed End IDC Receptacle Connectors



WIRE SIZE (AWG)	CONNECTOR				
	COLOR CODE	With Lock		Without Lock	
		Without Tabs	With Tabs	Without Tabs	With Tabs
26	Blue	640430	—	640435	—
22	Red	640428	643819	640433	644463
		641219	644662	641224	644566
24	Natural	640429	643820	640434	644464
				644503	
20	Yellow	640427	643818	640432	644462
		641218	644663	641223	
18	Orange	640426	643817	640431	644082
		641217	644460	641222	644461
				644502	

Figure 2

2. Using a small knife, cut off the wire retainers (strain relief). This will provide a clear view for inspecting the connector for a properly terminated wire in the contact. See Figure 3.

CAUTION

Wire retainers are removed to provide a connector for testing only. Do NOT use such connectors for production applications.

3. Place the connector in the head and make a test termination as described in Section 4, TERMINATING PROCEDURE.

4. Push the connector out of the right side of the head.

5. If using the manual handle assembly, inspect the termination in accordance with Section 5, TERMINATION INSPECTION. If the wire insertion depth is incorrect, proceed to Paragraph 3.2, Wire Insertion Depth Adjustment.

6. If using the pneumatic handle assembly, inspect the termination to ensure that the conductor is terminated passed the lead-in transition and is positioned about halfway into the contact slot. Inspect the termination to ensure that the wire insulation is beyond the front of the contact beam by at least 1.52 mm [.060 in.]. See Figure 3.

- a. If the wire is inserted too deep in the wire contact slot, refer Paragraph 3.2, A.
- b. If the wire is not inserted deeply enough in contact slot, increase the air pressure by 69 kPa [10 psi], and repeat the termination and

inspection procedure. Continue in this manner until either the proper insertion depth is obtained or the air pressure is set to 483 kPa [70 psi]. If the proper insertion depth is still NOT reached, return the air pressure to 276 kPa [40 psi] and refer to Paragraph 3.2, B.

3.2. Wire Insertion Depth Adjustment (Figure 4)**A. Wire Too Deep**

If the wire is inserted too deep in the wire contact slot, remove the head from the tool, and turn the adjuster *clockwise* one-sixth of a revolution. The wire insertion depth will be reduced by approximately 0.203 mm [.008 in.]. Repeat the test procedure as described in Paragraph 3.1.

B. Wire Not Deep Enough

If the wire is not inserted deeply enough in contact slot, remove the head from the tool and turn the adjuster *counterclockwise* one-sixth of a revolution. The wire insertion depth will be increased by approximately 0.203 mm [.008 in.]. Repeat the test procedure as described in Paragraph 3.1.

4. TERMINATING PROCEDURE

1. Insert connector into left side of head as shown in Figure 5.
2. Align the contact to be terminated with the wire inserter. Make sure that the locating pawl rests between the connector index ribs.

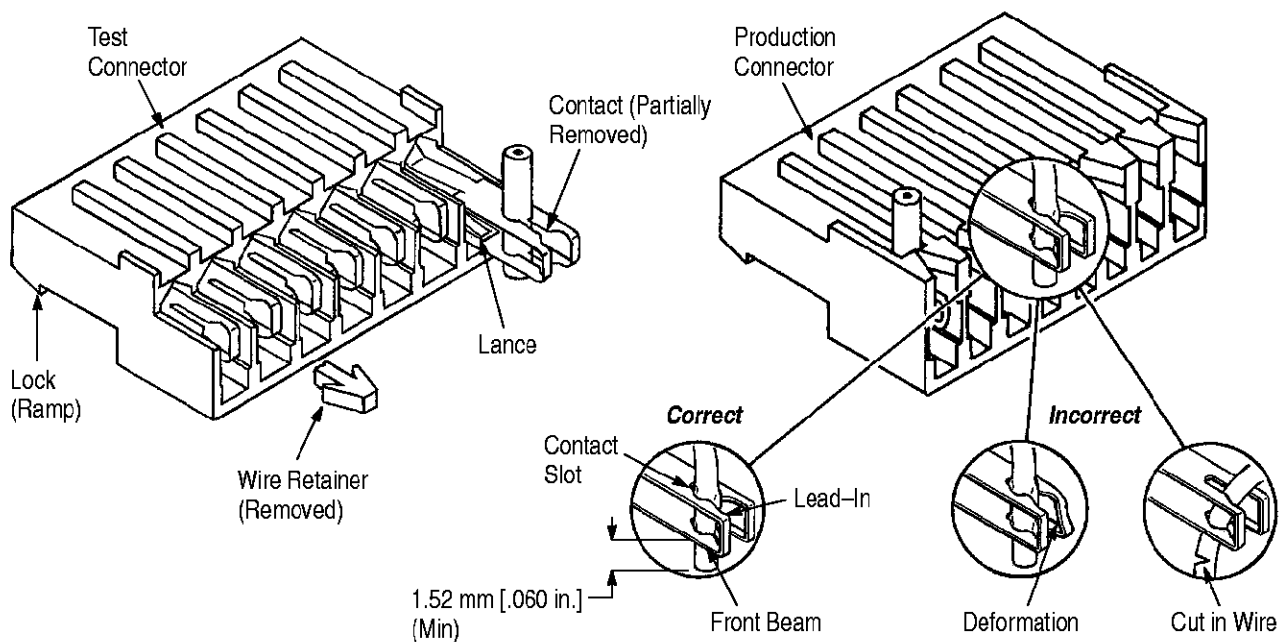
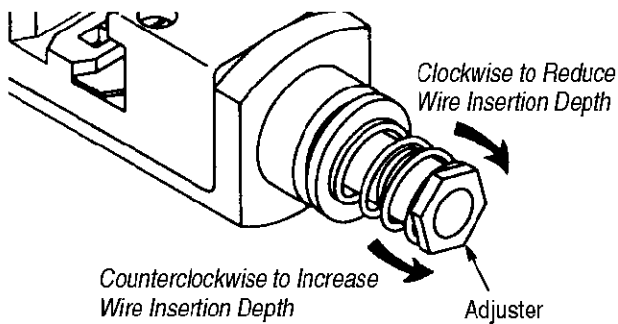


Figure 3



Note: $\frac{1}{6}$ turn equals 0.203-mm [.008-in.] adjustment.

Figure 4

3. Insert an unstripped wire into the funnel area between contact and wire inserter until the wire bottoms on the tool base.
4. Depress the trigger (or squeeze the cam handle) of the pistol grip handle assembly and hold until the inserter bottoms or ratchet releases.
5. Release trigger (or cam handle). The inserter will retract and the feed slide will automatically advance the connector to the next contact position.

NOTE

The locating pawl will move up and down as the connector automatically advances through the head. However, if movement is obstructed, or if desirable, the locating pawl can be depressed and the connector moved manually out the RIGHT side of the head.

6. Repeat Steps 2 through 5 until all contacts have been terminated. Inspect each termination according to Section 5, TERMINATION INSPECTION.

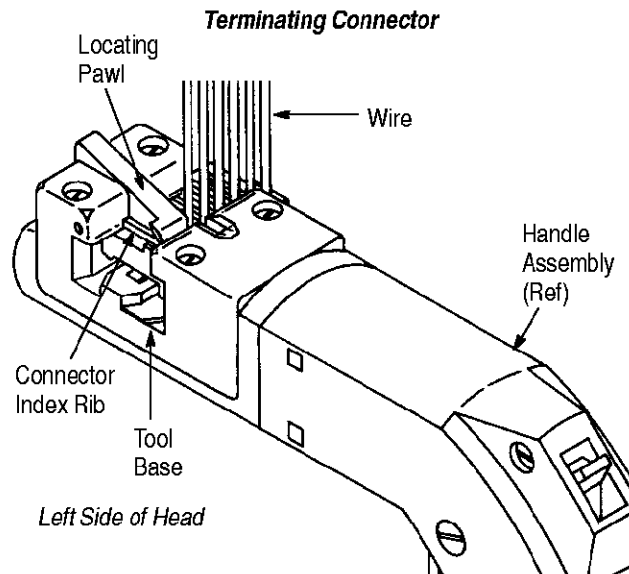


Figure 5

5. TERMINATION INSPECTION

Inspect each termination to ensure the following:

NOTE

For detailed inspection requirements, refer to Application Specification 114-1020.

- conductor is terminated past the lead-in transition and about halfway in the contact slot
- insulation is 1.52 mm [.060 in.] (minimum) beyond the front contact beam (see Figure 3)
- wire is NOT bottomed in contact slot
- contact beams are NOT deformed. If damage is apparent, replace contacts in accordance with the instructions packaged with the connector
- insulation of wire is NOT nicked or cut in any area other than the two wire slots
- wire extends below the strain-relief features of connector

6. MAINTENANCE AND INSPECTION

The head is inspected before shipment. It is recommended that the head be inspected immediately upon arrival at your facility to ensure that the head conforms to the dimensions provided in Section 7 and that the head has not been damaged during transit. Each operator should be aware of, and responsible for, the following:

6.1. Daily Maintenance

1. Remove dust, moisture, and other contaminants with a clean brush, or soft, lint-free cloth. Do NOT use objects that could damage the head.
2. Make sure all components are in place and properly secured. If NOT, refer to Section 7 for information on obtaining evaluation and repair.
3. Actuate handle assembly to ensure mechanisms inside head move smoothly.

6.2. Periodic Maintenance

Regular inspections should be performed by quality control personnel with a record of these control inspections remaining with the personnel responsible for the head. AMP recommends one inspection a month; however, operator training and skill, amount of use, ambient working conditions, and your company's established standards are all factors in establishing frequency of inspections. These inspections should be performed in the following sequence:

1. Remove any accumulated film with a suitable cleaning agent that will NOT affect plastic material.
2. Make sure all components are in place and properly secured. Refer to Section 7.
3. Make a few test terminations and inspect the terminations in accordance with Section 5, TERMINATION INSPECTION.

4. Check for chipped, cracked, worn, or broken areas. If damage is evident, repair is necessary. See Section 7, REPLACEMENT AND REPAIR.

For customer repair service, please contact an AMP representative at 1-800-526-5136.

7. REPLACEMENT AND REPAIR

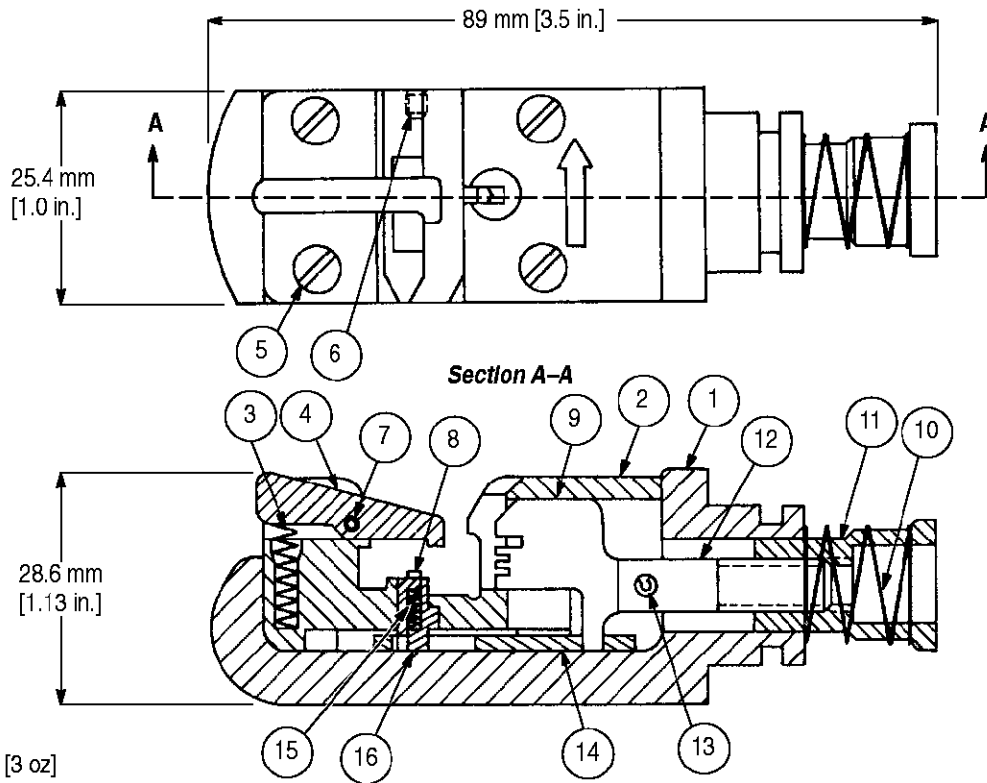
Customer-replaceable parts are listed in Figure 6. A complete inventory should be stocked and controlled to prevent lost time when replacement of parts is necessary. Parts other than those listed should be replaced by AMP to ensure quality and reliability. Order replacement parts through your AMP representative, or call 1-800-526-5142, or send a facsimile of your purchase order to 717-986-7605, or write to:

CUSTOMER SERVICE (038-035)
AMP INCORPORATED
PO BOX 3608
HARRISBURG PA 17105-3608

8. REVISION SUMMARY

Revisions to this instruction sheet per EC 0990-1382-99 include:

- Updated document to corporate requirements
- Changed title of document
- Removed quad connectors
- Replaced customer repair address with phone number



Weight: 85 g [3 oz]

REPLACEMENT PARTS

ITEM	PART NUMBER	DESCRIPTION	QTY PER HEAD
1	312150-1	HEAD, Finished	1
2	313814-1	HOUSING, Insert	1
3	6-22278-5	SPRING, Compression	1
4	768531-2	PAWL, Locating	1
5	4-22430-8	SCREW, Machine (4-40 x .875 L)	4
6	1-21010-9	SETSCREW, Socket (4-40 x .125 L)	1
7	21041-7	PIN, Spiral Spring	1
8	312192-1	PAWL, Feed	1
9	312154-1	INSERTER, Wire	1
10	22488-5	SPRING, Compression	1
11	312149-1	ADJUSTER, Rod Insertion	1
12	312148-1	ROD, Inserter	1
13	3-21028-2	PIN, Slotted Spring	1
14	768530-2	CAM, Traverse Slide	1
15	1-23147-2	SPRING, Compression	1
16	312151-1	SLIDE, Feed	1

Figure 6

单击下面可查看定价，库存，交付和生命周期等信息

[>>TE Connectivity\(泰科\)](#)