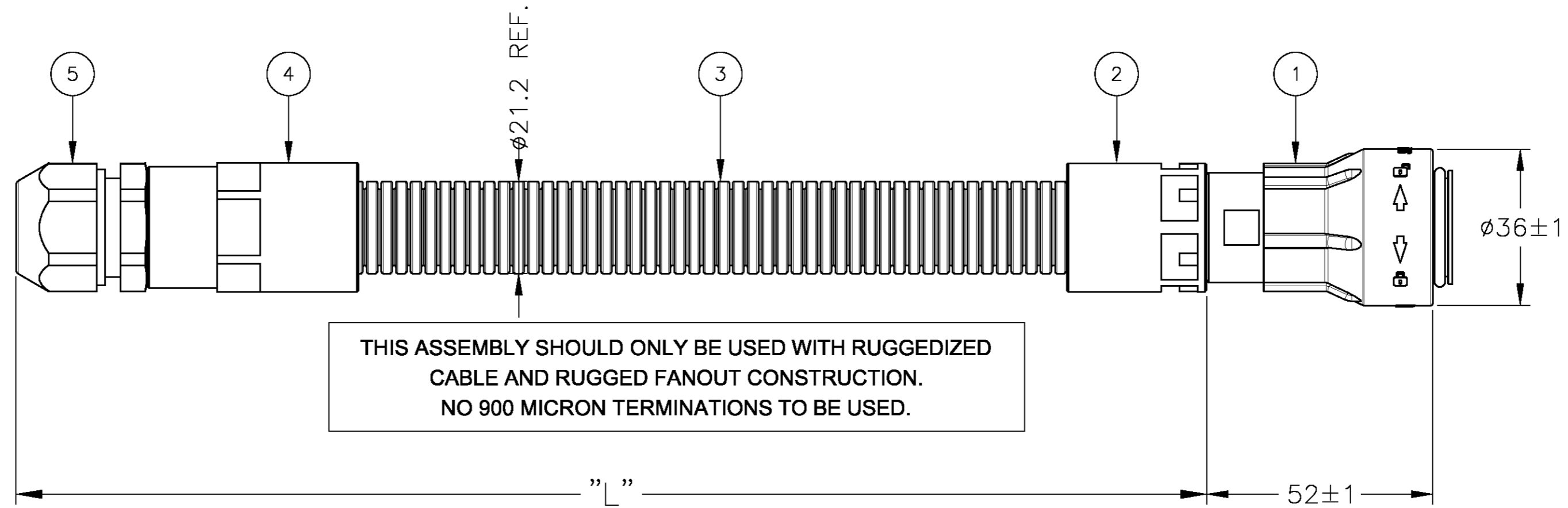
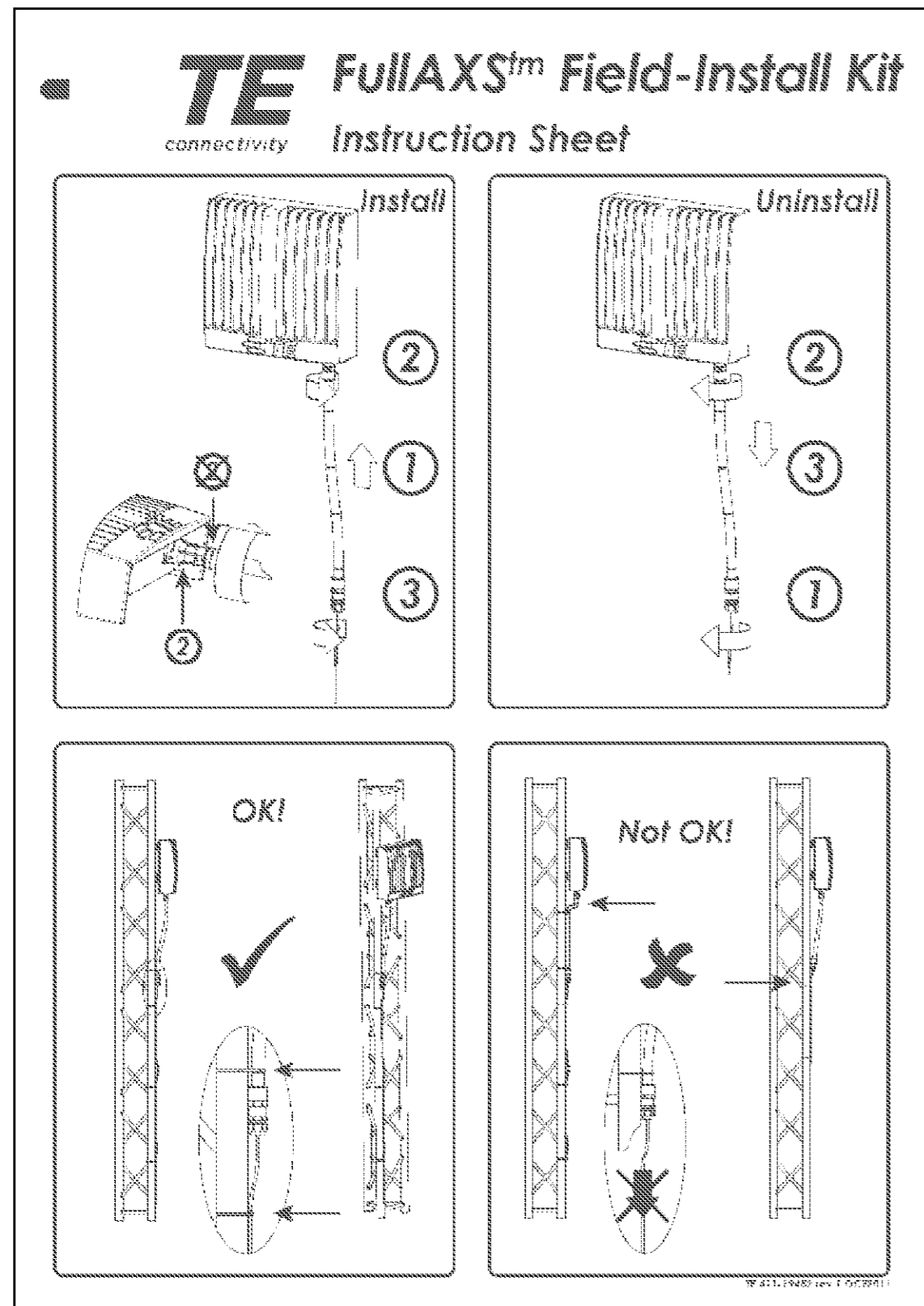


LOC		DIST		REVISIONS			
P	LTR	DESCRIPTION	DATE	DWN	APVD		
C1	ECR-13-012380		06AUG2013	RC	SS		



1 EXAMPLE INSTRUCTION SHEET:



NOTES:

- 1 EACH FULLAXS FIELD-INSTALL KIT IS PACKED IN A PROTECTION SLEEVE WITH THE INSTRUCTION SHEET SHOWN
- 2 PACKED PER 40 ASSEMBLIES IN A BOX

PART NUMBER	"L" (meter)	CABLE DIAMETER
2061664-1	0.5 ±0.02	5.0-9.0 mm
2061664-2	0.3 ±0.02	5.0-9.0 mm
2061664-3	0.5 ±0.02	4.5-6.5 mm
2061664-4	0.3 ±0.02	4.5-6.5 mm
2061664-5	0.14 ±0.02	4.5-6.5 mm
2061664-6	0.35 ±0.01	4.5-6.5 mm
2061664-7	0.40 ±0.02	4.5-6.5 mm

1	FOAC CABLE GLAND PG16	5
1	FOAC CABLE CONDUIT ADAPTER, PG16 INSIDE THREADED, BLACK	4
1	FOAC CABLE CONDUIT, OUTSIDE DIAMETER 21.2 mm, BLACK	3
1	FOAC CABLE CONDUIT ADAPTER, PG16 OUTSIDE THREADED, BLACK	2
1	FOAC FULLAXS™ FIELD INSTALL COUPLING	1
Qty	Description	Item

THIS DRAWING IS A CONTROLLED DOCUMENT.

DWN	R. COOLEN	21MAR2012	
CHK	S. BORGAS	22MAR2012	
APVD	A. HENGELMOLEN	22MAR2012	
NAME			
DIMENSIONS: mm TOLERANCES UNLESS OTHERWISE SPECIFIED: 0 PLC ± - 1 PLC ± - 2 PLC ± - 3 PLC ± - 4 PLC ± - ANGLES ± - MATERIAL - FINISH -			PRODUCT SPEC - APPLICATION SPEC - WEIGHT - CUSTOMER DRAWING
FIBER OPTIC FIELD INSTALL ASSEMBLY			SIZE A2 CAGE CODE 00779 DRAWING NO. C-2061664 RESTRICTED TO - SCALE NTS SHEET 1 of 1 REV C1

单击下面可查看定价，库存，交付和生命周期等信息

[>>TE Connectivity\(泰科\)](#)