

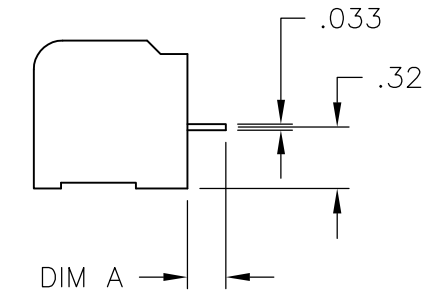
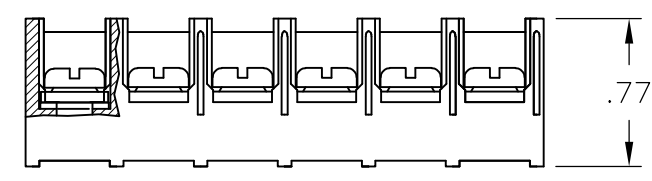
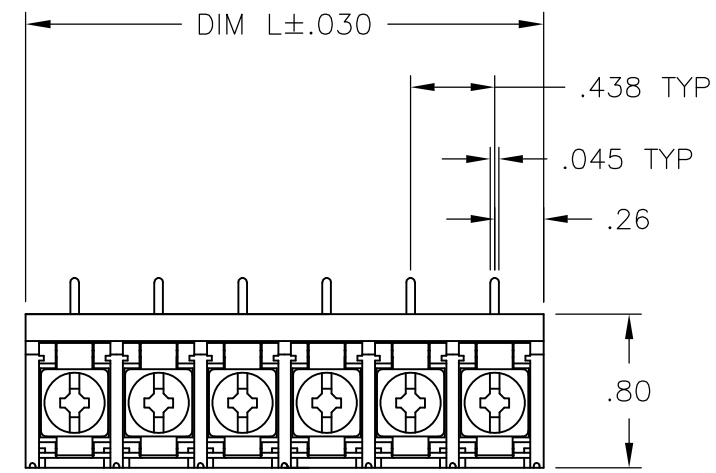
THIS DRAWING IS UNPUBLISHED. RELEASED FOR PUBLICATION
 © COPYRIGHT - By - ALL RIGHTS RESERVED.

LOC	DIST	REVISIONS				
P	LTR	DESCRIPTION	DATE	DWN	APVD	
FT	0					
	D1	REVISED PER ECO-12-009693	23MAY12	KH	MS	

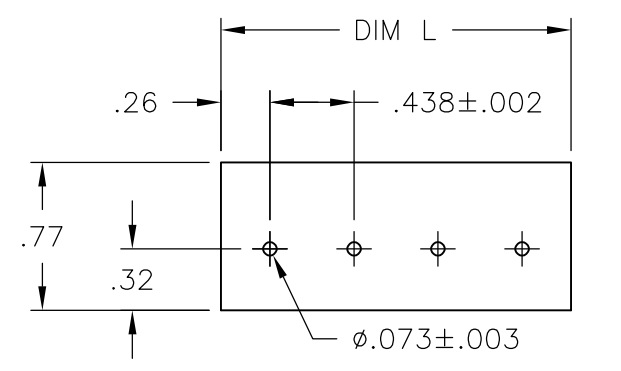
MATERIALS:
 HOUSING: THERMOPLASTIC, UL94V-0, BLACK.
 TERMINAL: BRIGHT TIN PLATED COPPER ALLOY.
 SCREWS: 8-32, ZINC PLATED STEEL.

ELECTRICAL:
 CURRENT RATING: 30A
 VOLTAGE RATING: 600V
 WIRE RANGE: 10-18 AWG (UL)
 10-22 AWG (CSA)

MECHANICAL:
 RECOMMENDED TORQUE: 20 IN-LB.
 OPERATING TEMP.: -40°C TO +120°C.



.126	4.010	9	8PCR-09-006A	2-1546566-1
.200	8.823	20	8PCR-20-006	2-1546566-0
.200	8.385	19	8PCR-19-006	1-1546566-9
.200	7.948	18	8PCR-18-006	1-1546566-8
.200	7.510	17	8PCR-17-006	1-1546566-7
.200	7.073	16	8PCR-16-006	1-1546566-6
.200	6.635	15	8PCR-15-006	1-1546566-5
.200	6.198	14	8PCR-14-006	796875-3
.200	5.760	13	8PCR-13-006	1-1546566-3
.200	5.323	12	8PCR-12-006	1-1546566-2
.200	4.885	11	8PCR-11-006	796875-1
.200	4.448	10	8PCR-10-006	5-1546159-4
.200	4.010	9	8PCR-09-006	1546566-9
.200	3.573	8	8PCR-08-006	4-1437657-3
.200	3.135	7	8PCR-07-006	5-1546159-2
.200	2.698	6	8PCR-06-006	3-1437657-7
.200	2.260	5	8PCR-05-006	3-1437657-3
.200	1.823	4	8PCR-04-006	3-1437657-1
.200	1.385	3	8PCR-03-006	2-1437657-8
.200	.948	2	8PCR-02-006	2-1437657-2



THIS DRAWING IS A CONTROLLED DOCUMENT.		DWN S SCHLEGEL 10/25/06				
DIMENSIONS: INCHES		CHK S. YODER 10/25/06				
TOLERANCES UNLESS OTHERWISE SPECIFIED:		APVD S. YODER 10/25/06	NAME			
0 PLC ± - 1 PLC ± - 2 PLC ± .01 3 PLC ± .005 4 PLC ± - ANGLES ± 1°		PRODUCT SPEC -	8PCR-XX-006 ASSEMBLY			
MATERIAL -		APPLICATION SPEC -	SIZE	CAGE CODE	DRAWING NO	RESTRICTED TO
FINISH -		WEIGHT -	A3	00779	C-2-1437657-2	-
CUSTOMER DRAWING			SCALE 1:1	SHEET 1 OF 1	REV D1	

单击下面可查看定价，库存，交付和生命周期等信息

[>>TE Connectivity\(泰科\)](#)