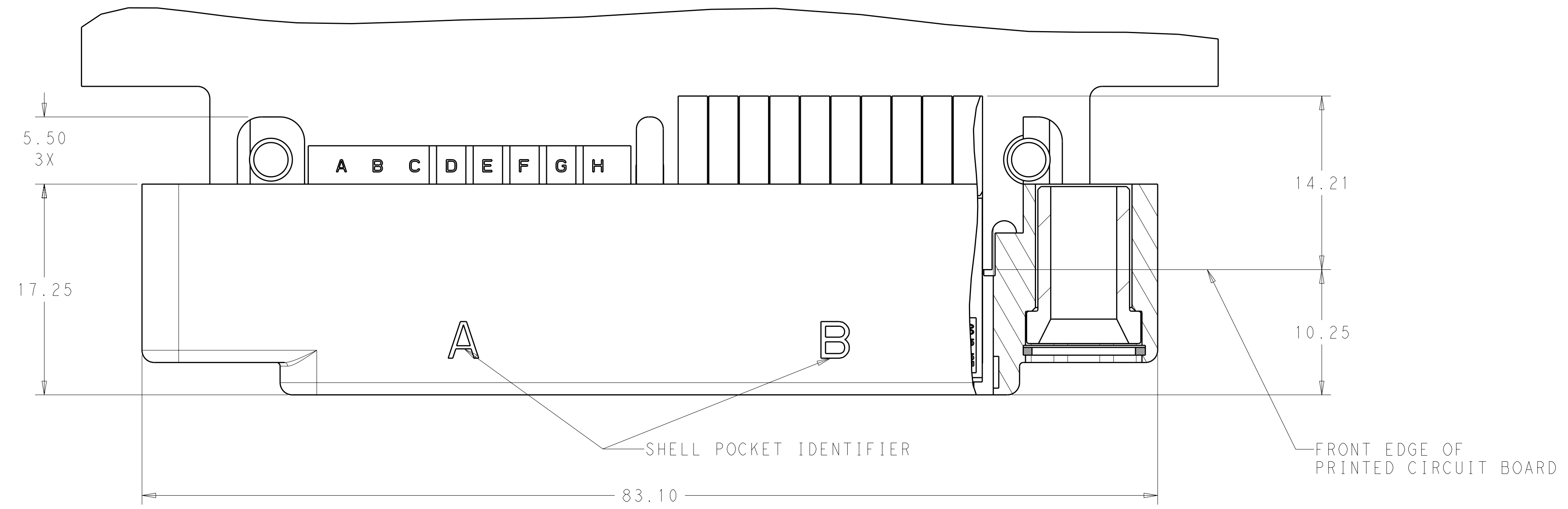
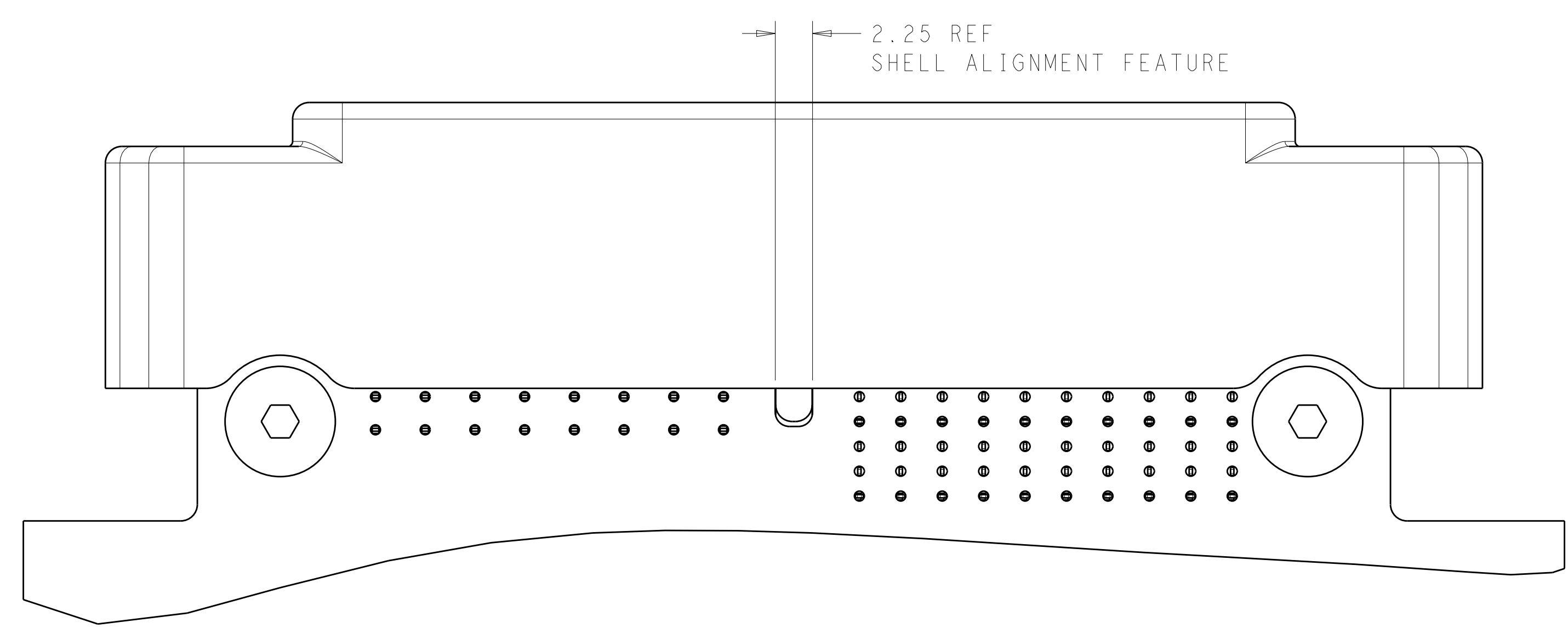
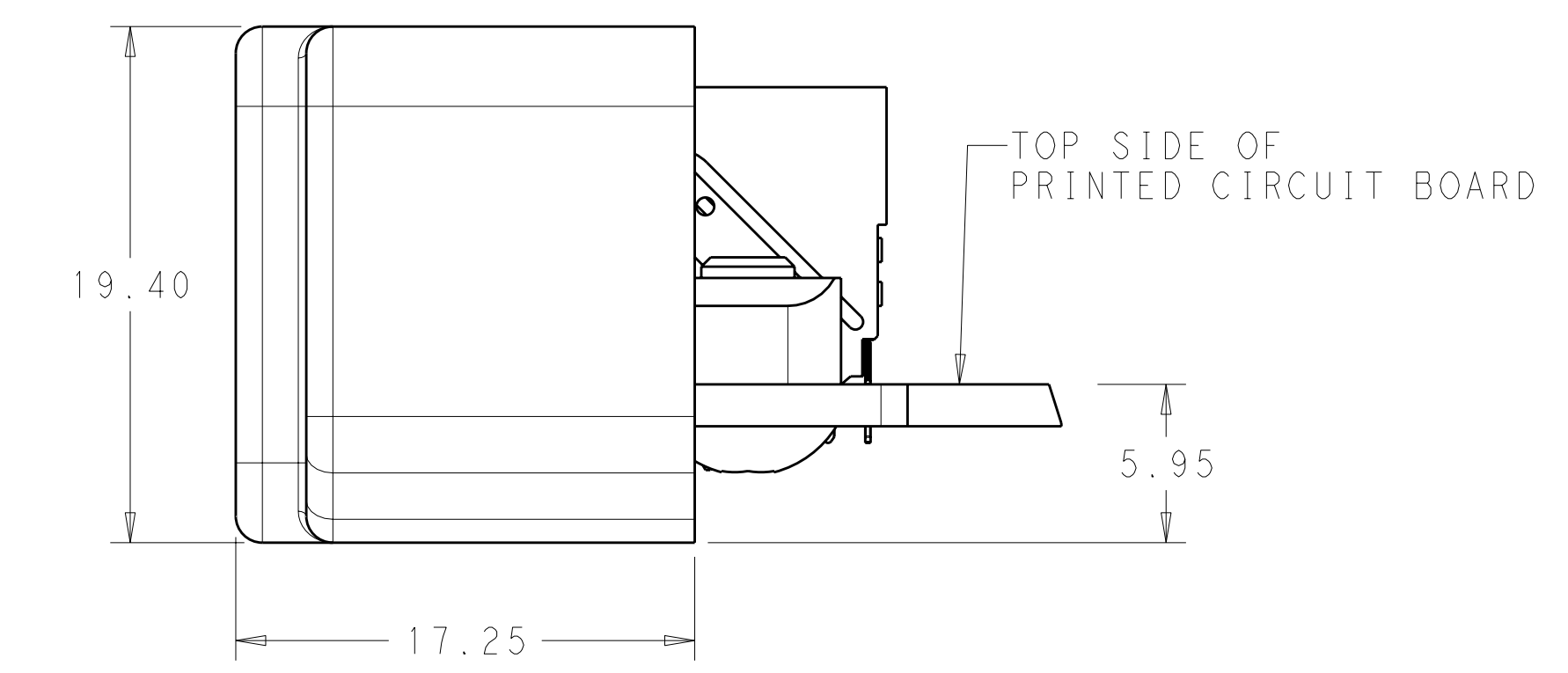
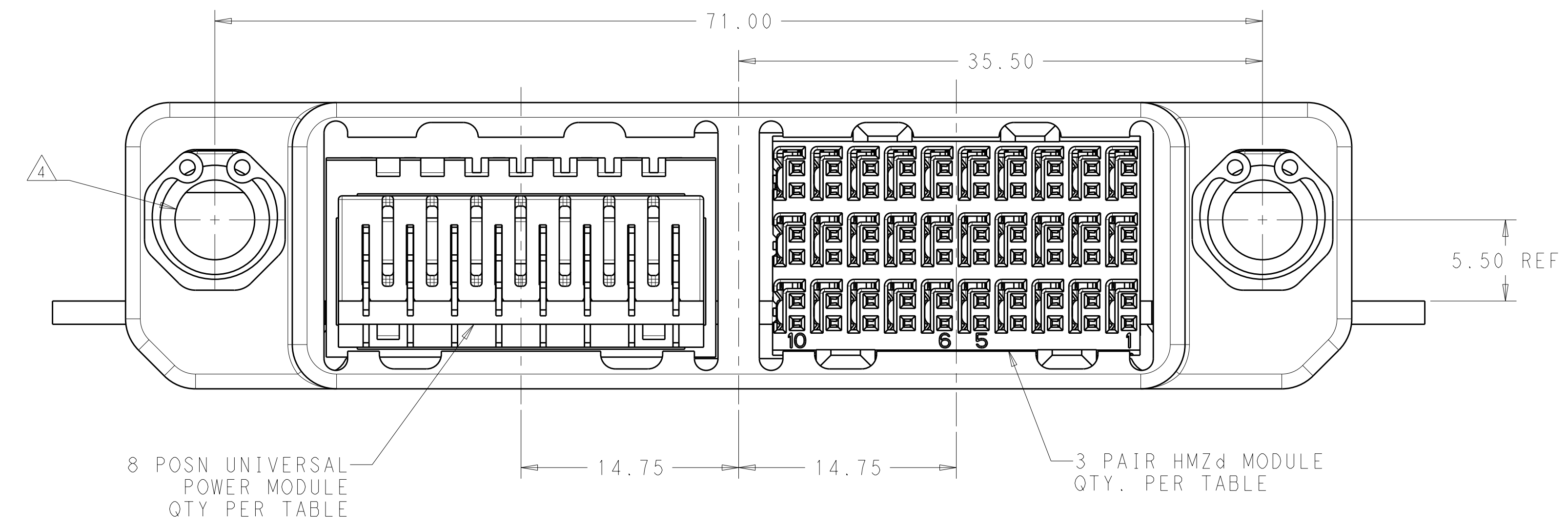


| LOC | DIST | REV | DATE | BY | CHK | APPV |
|-----|------|-----|--------|----|-----|------|
| - | - | D | 3-2-11 | CT | DH | |



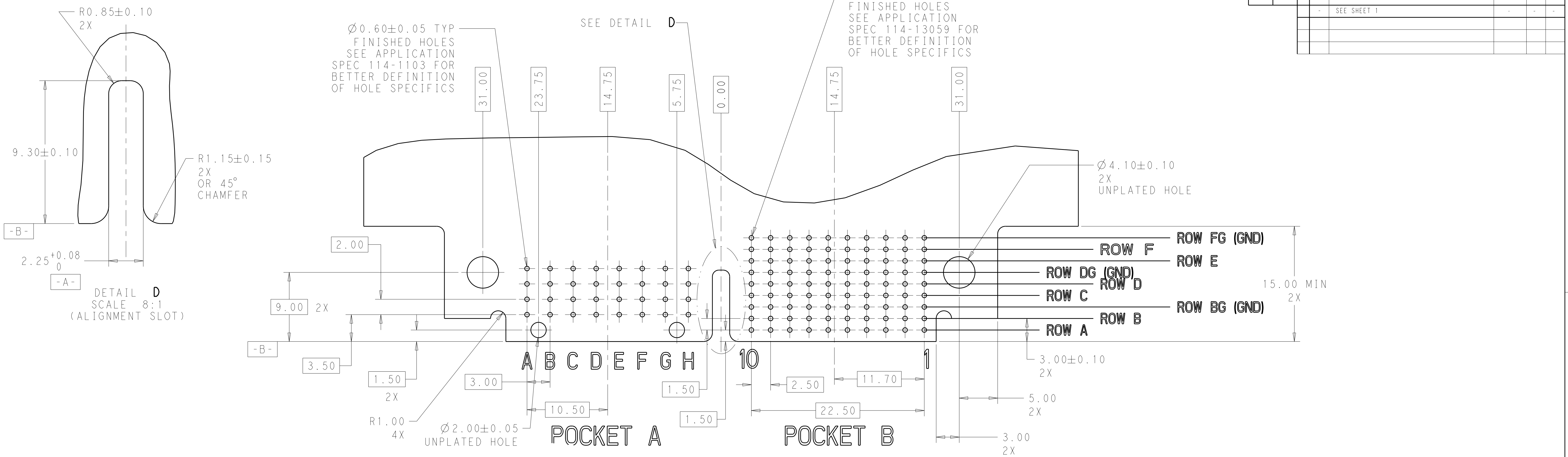
- MATING CONNECTOR FOR THIS CONNECTOR IS 2033994.
- MATERIAL - SHELL: ALUMINUM
HOUSING: GLASS FILLED POLYESTER, UL94V0
RETAINING RING: STAINLESS STEEL
KEYING GUIDE SOCKET: STAINLESS STEEL
- PLATING - CONTACT MATING AREA:
1.27µm MIN GOLD OVER 1.27µm MIN NICKEL
CONTACT PCB AREA: 0.5µm MIN BRIGHT
TIN-LEAD OVER 1.27µm MIN NICKEL
SHELL: ELECTROLESS NICKEL
- KEYING GUIDE SOCKET AND RETAINING RING PACKAGED FOR ASSEMBLY BY CUSTOMER.



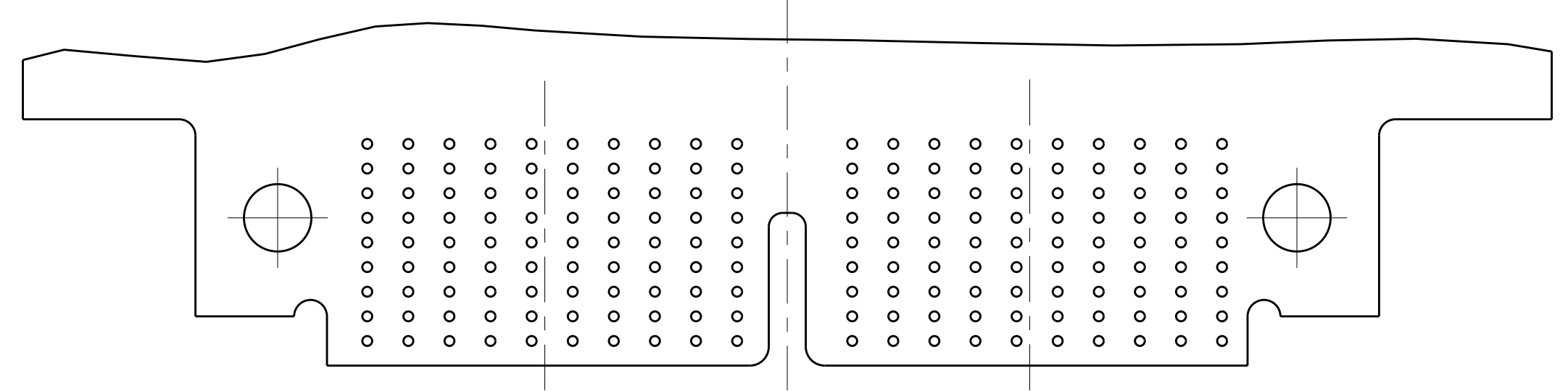
| | | | |
|---------------------|--------------------------------|-----------------------------|-------------|
| - | 2 | - | 2033993-3 |
| 1 | 1 | - | 2033993-2 |
| NOT RELEASED | | | 2033993-1 |
| 8 POSN UPM | 3 PAIR HMZd WITHOUT ESD SHIELD | 3 PAIR HMZd WITH ESD SHIELD | PART NUMBER |
| MODULE QTY PER ASSY | | | |

| | | | |
|---|--|--|---|
| DIMENSIONS: mm TOLERANCES UNLESS OTHERWISE SPECIFIED: 9 PLC ± 1 PLC ±0.13 5 PLC ±0.013 4 PLC ± ANGLES ±#1 FINISH: 2, 3 | | DWN: Brent D. Toth CHK: CHONG YI APPV: M. R. McALONIS DATE: 13JAN2010 PRODUCT SPEC: 108-2381 APPLICATION SPEC: WEIGHT: CUSTOMER DRAWING | Tyco Electronics Harrisburg, PA 17105-3608 NAME: DAUGHTER CARD CONNECTOR HIGH SPEED RUGGEDIZED (HSR) 2 BAY, UNSEALED, RIGHT ANGLE SIZE: A100779 CAGE CODE: C=2033993 SCALE: 1:1 SHEET 1 OF 2 REV D |
|---|--|--|---|

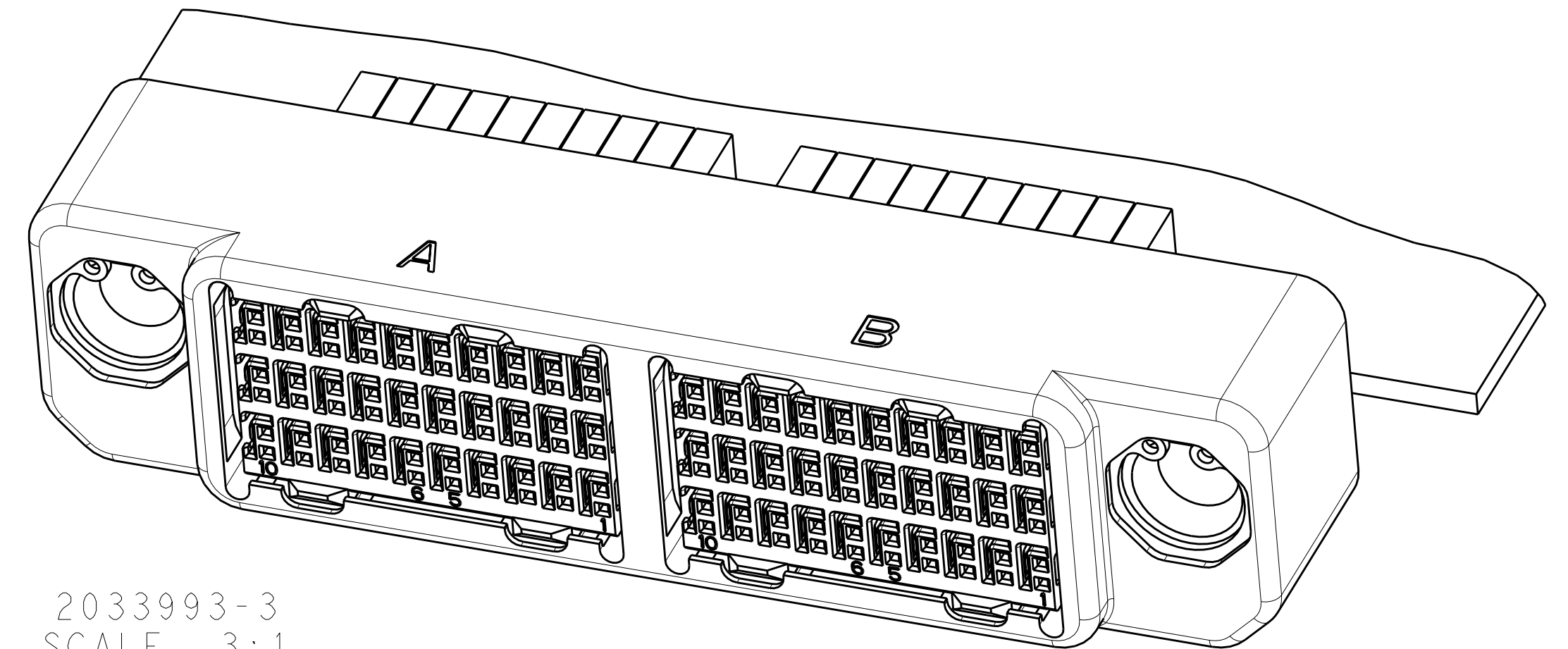
| LOC | | DIST | | REVISIONS | | | |
|-----|---|------|---|-----------|-------------|----|------|
| | | | | REV | DATE | BY | APPD |
| - | - | - | - | 1 | SEE SHEET 1 | - | - |



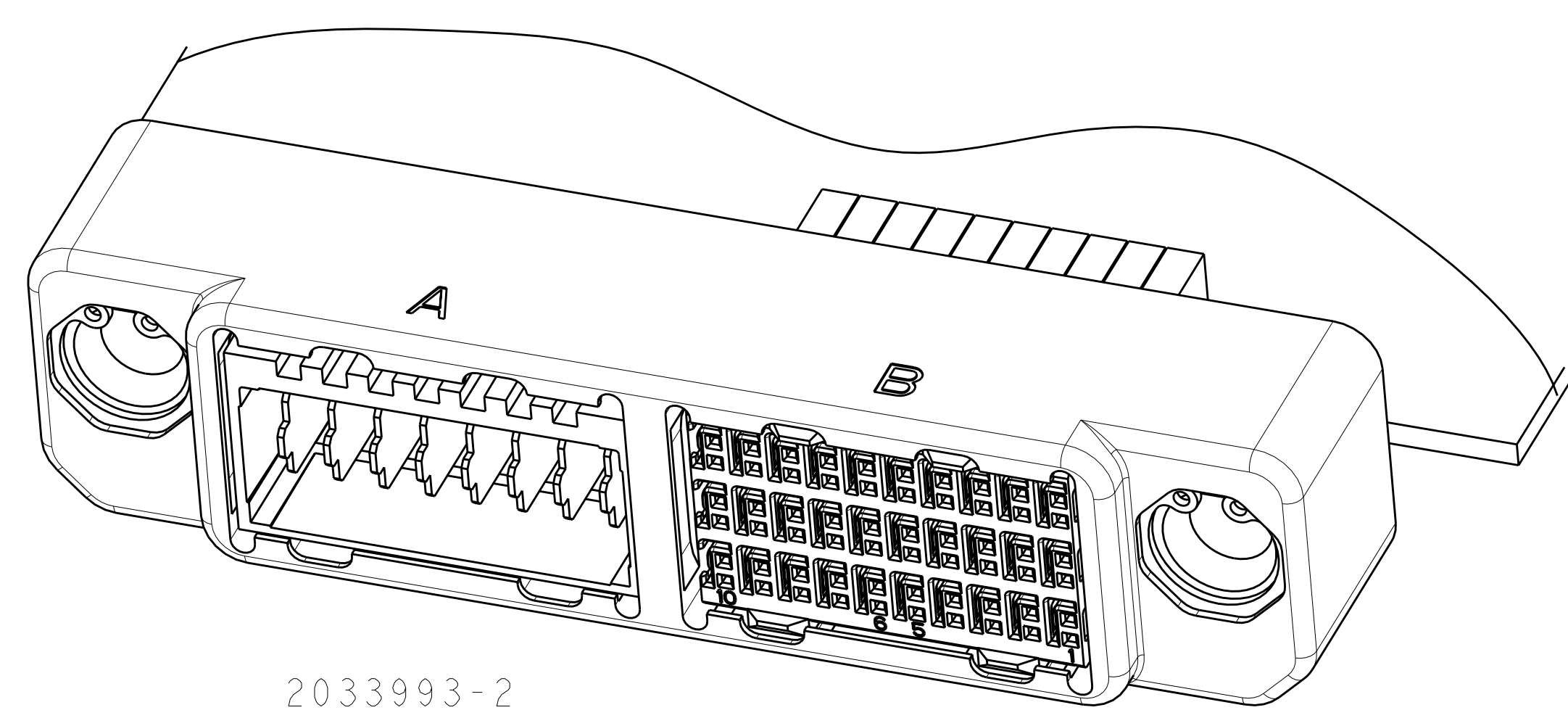
**RECOMMENDED PRINTED CIRCUIT BOARD LAYOUT
 AS VIEWED FROM TOP OF PRINTED CIRCUIT BOARD**



2033993-3 PCB
 SCALE 3:1



2033993-3
 SCALE 3:1



2033993-2
 SCALE 3:1

| | | | | | | | |
|-------------|---------|--|-------------|---------------------------------------|---------|--|-------------------------------|
| DIMENSIONS: | | TOLERANCES UNLESS OTHERWISE SPECIFIED: | | DWG: 13JAN2010 BY: Brent D. Toth | | Tyco Electronics Harrisburg, PA 17105-3608 | |
| mm | 0 PLC ± | 1 PLC ± | 2 PLC ±0.13 | 3 PLC ±0.013 | 4 PLC ± | 5 PLC ± | 6 PLC ± |
| | ANGLES | FINISH #1 | | CHK: CHONG YI APVD: M. R. McALONIS | | NAME: DAUGHTER CARD CONNECTOR HIGH SPEED RUGGEDIZED (HSR) 2 BAY, UNSEALED, RIGHT ANGLE | |
| MATERIAL: | | | | | | SIZE: CAGE CODE: DRAWING NO: A100779C=2033993 | RESTRICTED TO: |
| | | | | | | CUSTOMER DRAWING | SCALE: 4:1 SHEET 2 OF 2 REV D |

单击下面可查看定价，库存，交付和生命周期等信息

[>>TE Connectivity\(泰科\)](#)