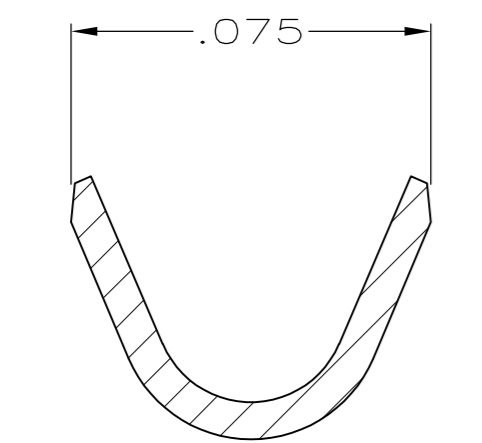
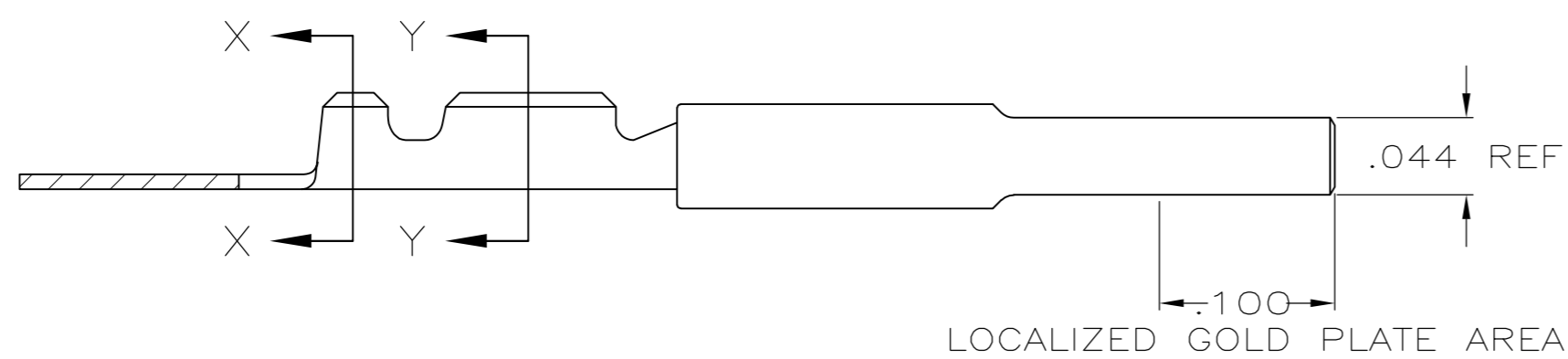
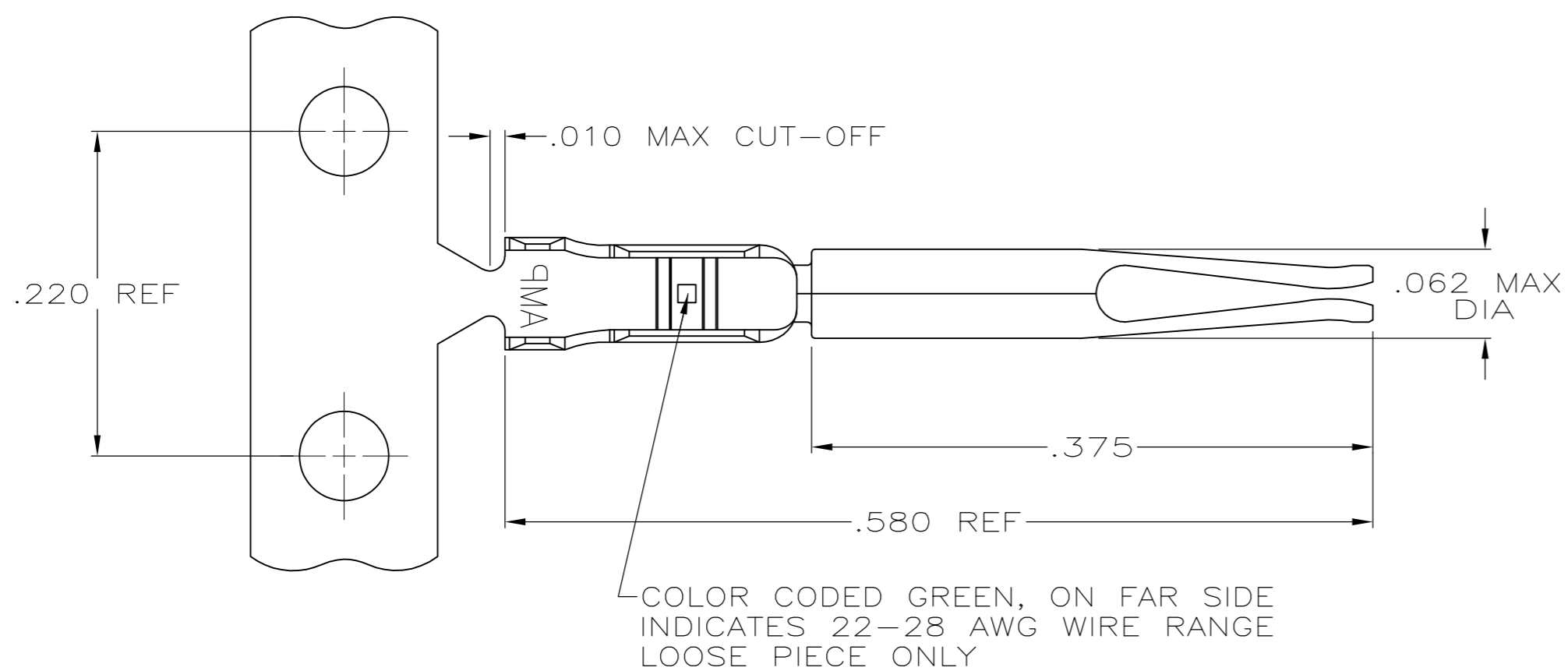
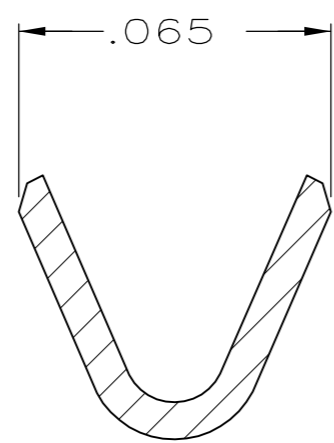


THIS DRAWING IS UNPUBLISHED. RELEASED FOR PUBLICATION
 © COPYRIGHT - By - ALL RIGHTS RESERVED.

Loc		DIST		REVISIONS			
P	LTR	DESCRIPTION		DATE	DWN	APVD	
GP	00	H1	REVISED PER ECO-11-004835		11MAR11	RK	HMR



SECTION X-X
INSULATION BARREL



SECTION Y-Y
WIRE BARREL

- ① FOR MINI APPLICATOR.
- ② FOR HAND TOOL USE ONLY.
- 3. WIRE RANGE OF 22-28, INSULATION RANGE OF .030-.040.
- ④ GOLD PLATING PER MIL-G-45204, NICKEL PLATING PER QQ-N-290, TIN PLATING PER MIL-T-10727.
- ⑤ PLATED WITH .000030 GOLD IN LOCALIZED GOLD PLATE AREA, TIN PLATED WIRE BARRELS, OVER .000050 NICKEL.
- ⑥ PLATED WITH GOLD FLASH IN LOCALIZED GOLD PLATE AREA, TIN PLATED WIRE BARRELS, OVER .000030 NICKEL.
- ⑦ PLATED WITH .000050 GOLD ON INSIDE OF LOCALIZED GOLD PLATE AREA, .000050 GOLD ON REMAINDER, ALL OVER .000050 NICKEL UNDERPLATE.
- ⑧ GOLD PLATING ON THE CARRIER STRIP IS NOT REQUIRED.
- ⑨ OBSOLETE.

SMALL PACK	⑥	⑨	748610-7	⑨	1-748610-1
-	⑦	⑧	748610-9	⑨	748610-8
STANDARD	⑥	⑨	748610-7	⑨	748610-5
-	⑤	⑨	748610-4	⑨	748610-2
PACKAGING	FINISH ④	LOOSE PIECE ②	PART NUMBER ①		

DIMENSIONS: INCHES		TOLERANCES UNLESS OTHERWISE SPECIFIED:		MATERIAL		FINISH		WEIGHT		CUSTOMER DRAWING		
0 PLC	± -	0 PLC	± -	PHOS BRONZE PER	SEE TABLE	WEIGHT	-	CUSTOMER DRAWING	SCALE	10:1	SHEET	1 of 1
1 PLC	± -	1 PLC	± -	QQ-B-750								
2 PLC	± -	2 PLC	± -									
3 PLC	± .005	3 PLC	± .005									
4 PLC	± -	4 PLC	± -									
ANGLES	± 0° 30'	ANGLES	± 0° 30'									

THIS DRAWING IS A CONTROLLED DOCUMENT.		DWN		C.RICHARD		1-12-88		TE Connectivity	
CHK		W.LENKER		1-14-88		NAME		SOCKET CONTACT, SIZE 22 DF, 22-28 AWG, W/.030-.040 DIA INSULATION SUPPORT	
APVD		V.KUMAR		1-19-88		SIZE		A2	
PRODUCT SPEC		APPLICATION SPEC		CAGE CODE		DRAWING NO		RESTRICTED TO	
MATERIAL		FINISH		WEIGHT		SCALE		SHEET	
PHOS BRONZE PER QQ-B-750		SEE TABLE		-		10:1		1 of 1	
CUSTOMER DRAWING		SCALE		SHEET		REV		H1	
		10:1		1 of 1		H1			

单击下面可查看定价，库存，交付和生命周期等信息

[>>TE Connectivity\(泰科\)](#)