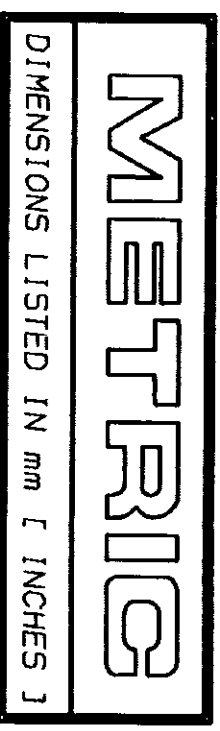
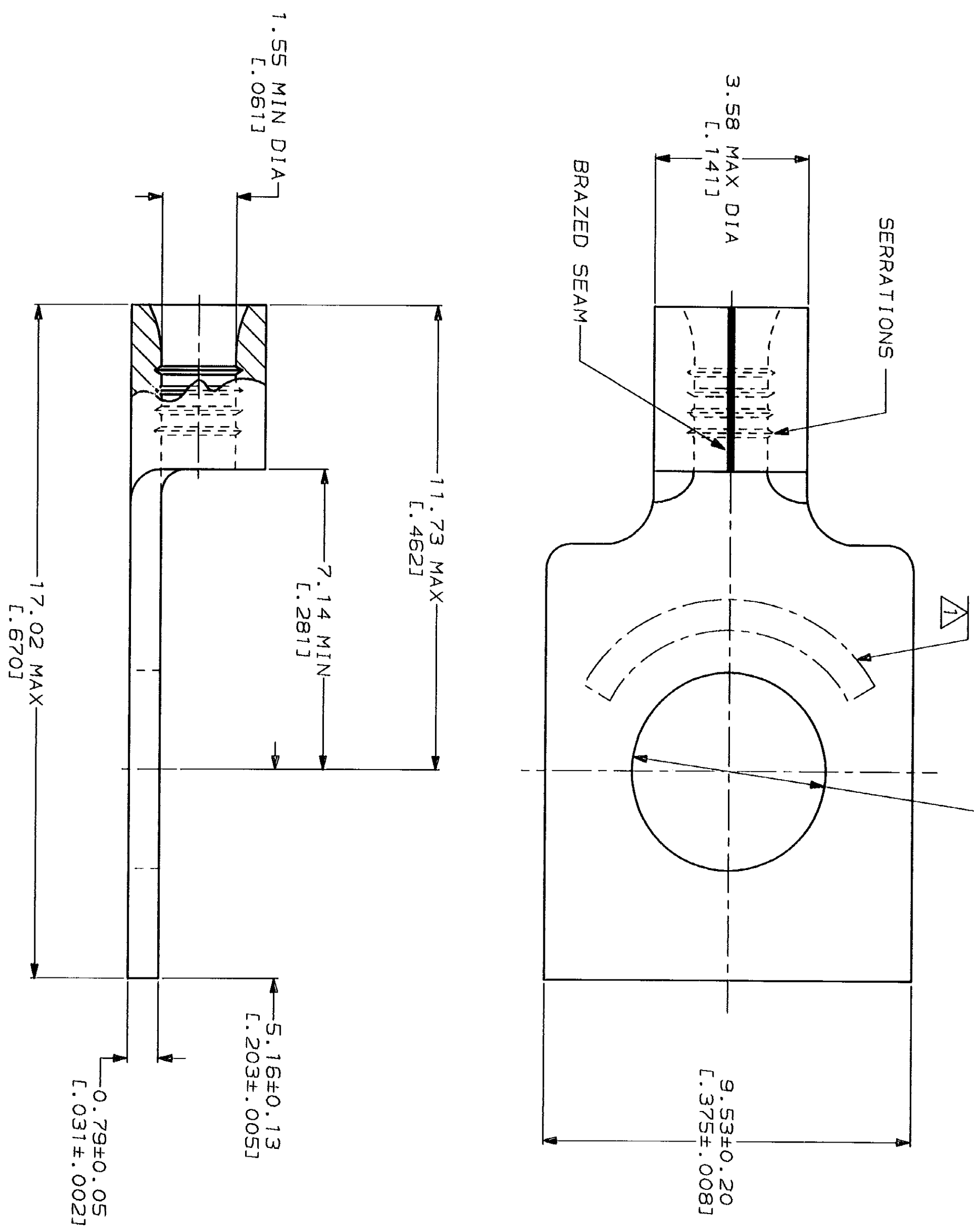


LOC	DIST	REV	ZONE	LTR	DESCRIPTION	DATE	APP
G	14	F			REVISED & REDRAWN PER 0720-0040-93	3-26-93	JAB
				F	REACTIVATE 323106 PER 0720-6018-92		



AMP WIRE RANGE	UL E13288 Listed
22-16 AWG SOLID OR STRANDED	22-16 AWG SOLID OR STRANDED
LR7189 Certified	MILITARY P/N AND CLASS
22-16 AWG SOLID OR STRANDED	NOT APPLICABLE

STAMP AMP 22-18* APPROX AS SHOWN
 22-16 TERMINALS ARE STAMPED 22-18 IN
 ACCORDANCE WITH MILITARY SPECIFICATION
 MIL-T-7928, COMMERCIAL WIRE RANGE IS 22-16



AMP INCORPORATED
CUSTOMER SERVICE SYSTEMS

FOR ADDITIONAL PRODUCT INFORMATION OR COPIES OF DRAWINGS AND TECHNICAL DOCUMENTS	PRODUCT INFORMATION CENTER 1-800-522-6752
FOR APPLICATION TOOLING INFORMATION	TOOLING ASSISTANCE CENTER 1-800-722-1111
FOR ORDER ENTRY	1-800-526-5142

MAX RECOMMENDED OPERATING TEMPERATURE: 170°C MAX
 VOLTAGE RATING: NOT APPLICABLE
 WIRE CROSS SECTIONAL AREA RANGE: 0.26-1.65mm² [509-3,260] CIR MILS
 SOLID OR STRANDED

DO NOT SCALE PRINT. UNLESS SPECIFIED DIMENSIONS IN mm [INCHES] TOLERANCES IN :
 2 PLC DEC ±
 3 PLC DEC ±
 ANGLES
 MATERIAL: COPPER PER ASTM B-152 ANNEALED
 FINISH: TIN PLATE
 0.00254 [L.000100] MIN THK PER MIL-T-10727

DR 3-26-93 TA BRINKMAN	5000	ON TAPE	2-323106-1
CHK 3-26-93 DA PATTERSON		LOOSE PIECE	323106
APPD 3-26-93 DE MILLER		PACKAGE TYPE	PART NO
APPD 3-26-93 JL MECKLEY			
PRODUCT SPEC			
APPLICATION SPEC			
WEIGHT			

AMP
 AMP Incorporated
 Harrisburg, PA 17105-3608

TERMINAL, RECTANGULAR TONGUE, SOLISTRAND™

SIZE: 00779
 CAGE CODE: 00779
 DRAWING NO: 323106
 SCALE: 10:1
 SHEET: 1 OF 1

单击下面可查看定价，库存，交付和生命周期等信息

[>>TE Connectivity\(泰科\)](#)