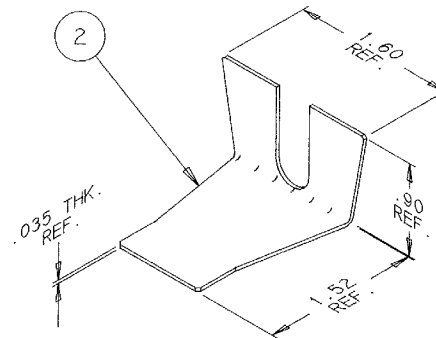
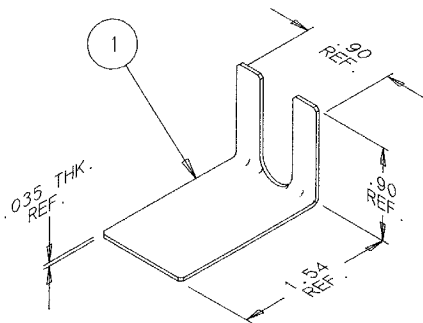


REVISIONS			
LTR	DESCRIPTION	DATE	APPROVED
N/C	NEW RELEASE PER ECN T-16734	9/20/91	<i>[Signature]</i>



ITEM	QTY	DESCRIPTION
1	2	BLADE, 1" MTC REMOVAL
2	2	BLADE, 2" MTC REMOVAL

If this document is printed it becomes uncontrolled. Check for the latest revision.

SPECIFICATION CONTROL DRAWING © Raychem Corporation 1988

UNLESS OTHERWISE SPECIFIED DIMENSIONS ARE IN INCHES. METRIC DIMENSIONS ARE IN BRACKETS.  DECIMALS .XXX ± [ mm] .XX ± [ mm] ANGLES  WEIGHT lbs [ g]	DRAWN	<i>R. RAMIREZ</i>	9/20/91	<b>Raychem</b> <small>RAYCHEM CORPORATION          300 CONSTITUTION DRIVE          MENLO PARK, CALIFORNIA 94025</small>		
	CHECKED					
	APPROVED	<i>[Signature]</i>	9/20/91	TITLE		
	APPROVED			<b>INSERT REMOVAL          BLADE SET</b> <i>CE-1604800</i>		
	CAD NAME	69		SIZE	CODE IDENT. NO.	DWG. NO.
	THIRD ANGLE PROJECTION			<b>B</b>	<b>06090</b>	<b>CE-1604800</b>
				DO NOT SCALE THIS DRAWING	SCALE 1/1	

单击下面可查看定价，库存，交付和生命周期等信息

[>>TE Connectivity\(泰科\)](#)