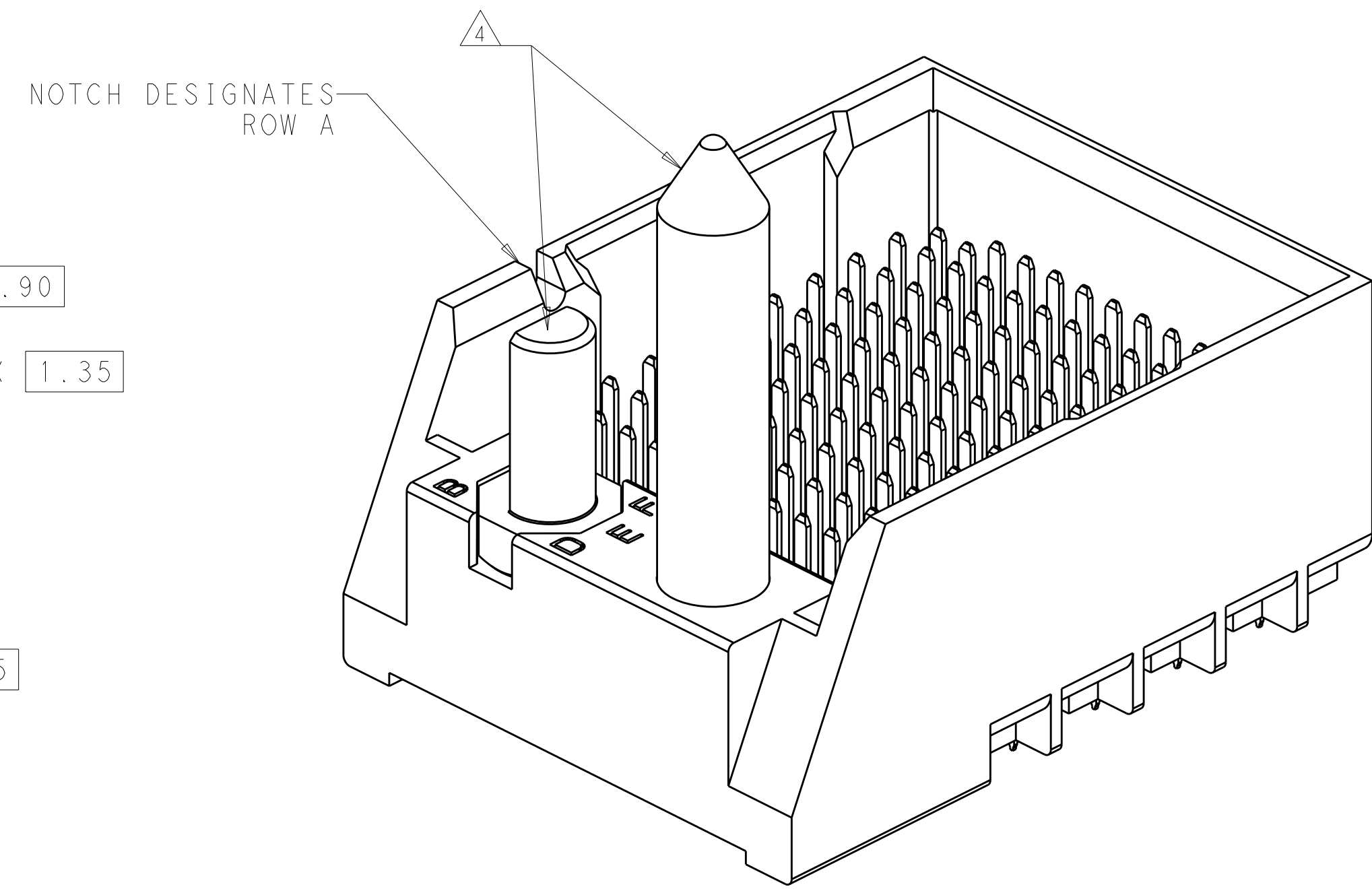
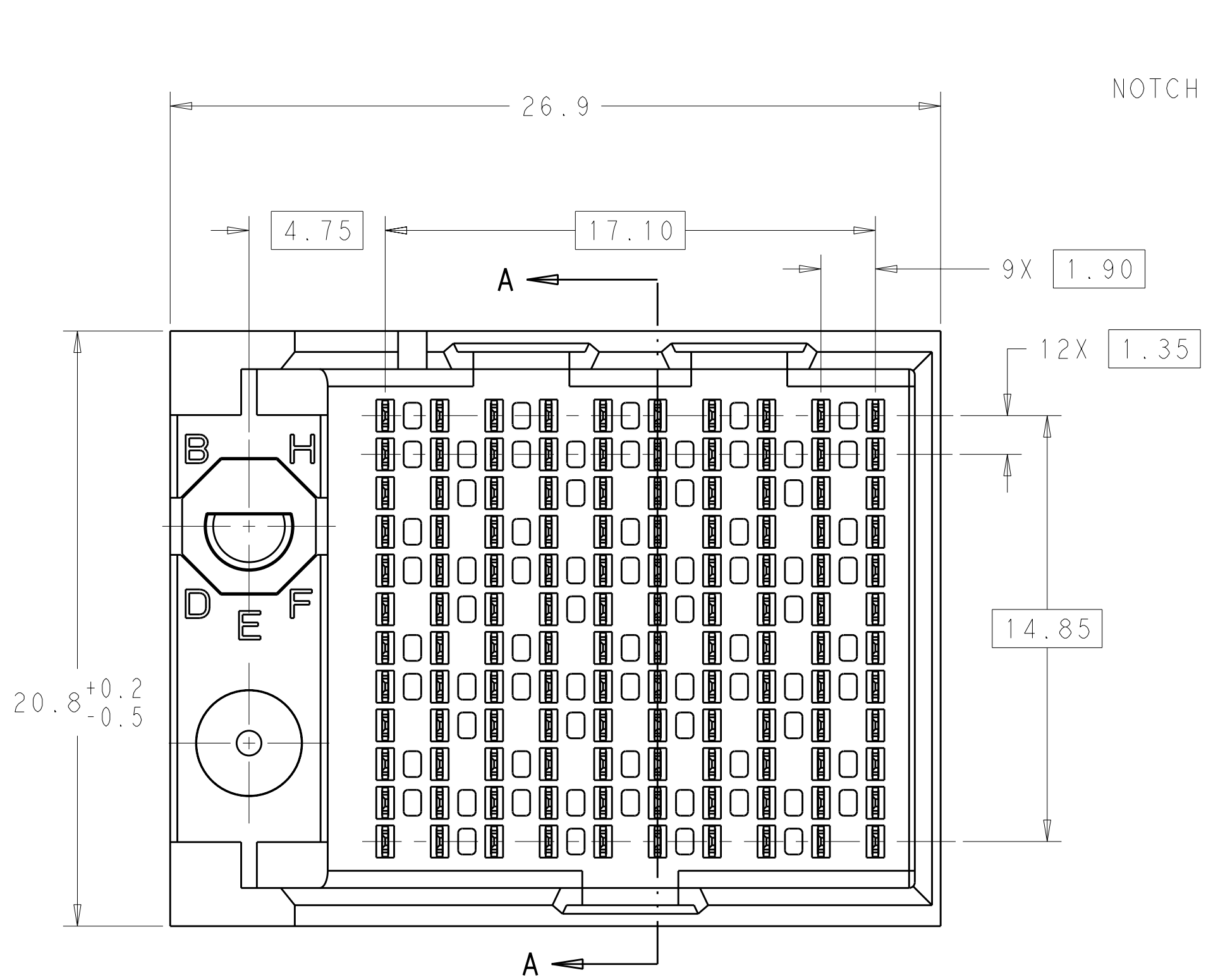
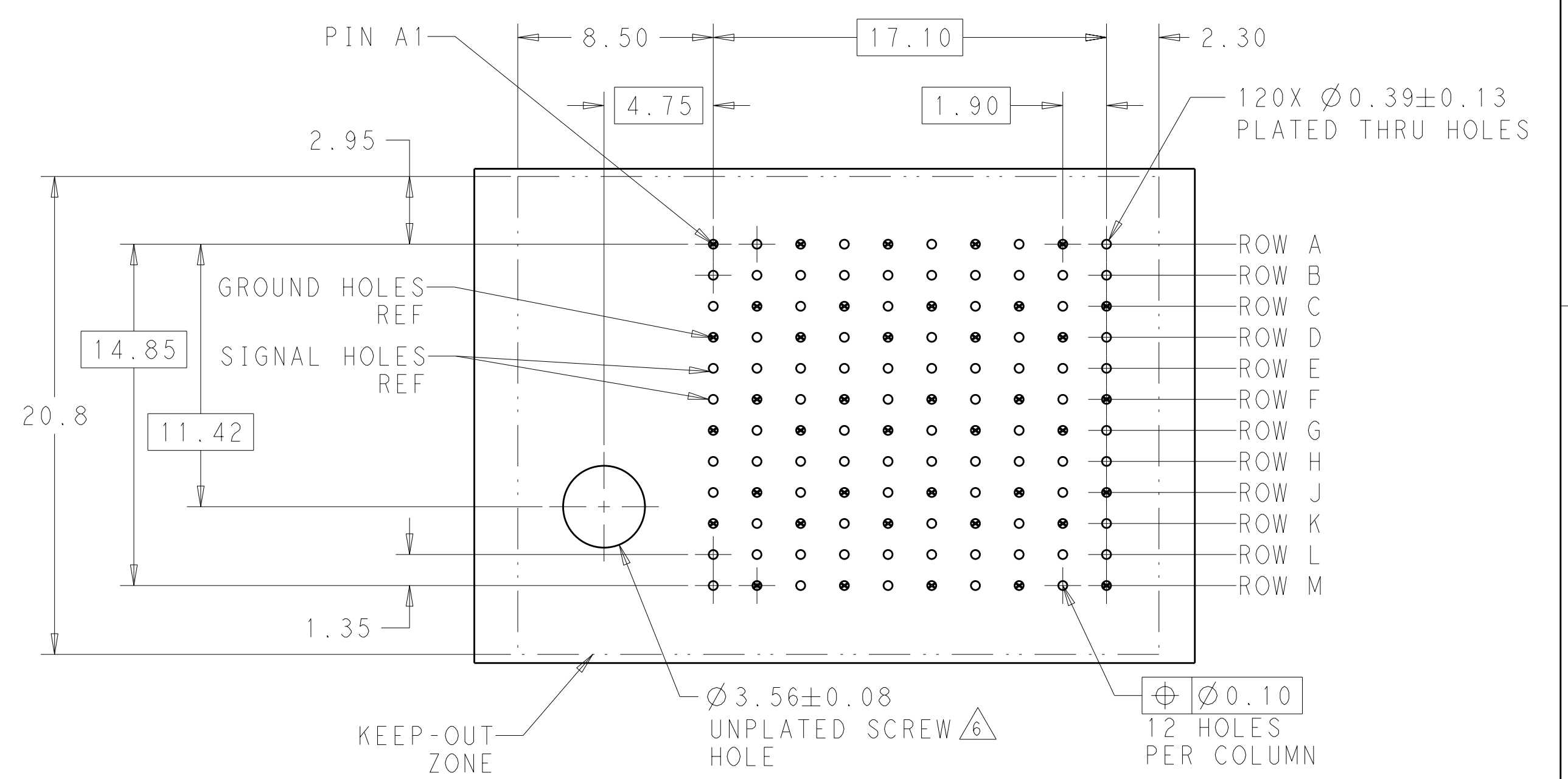


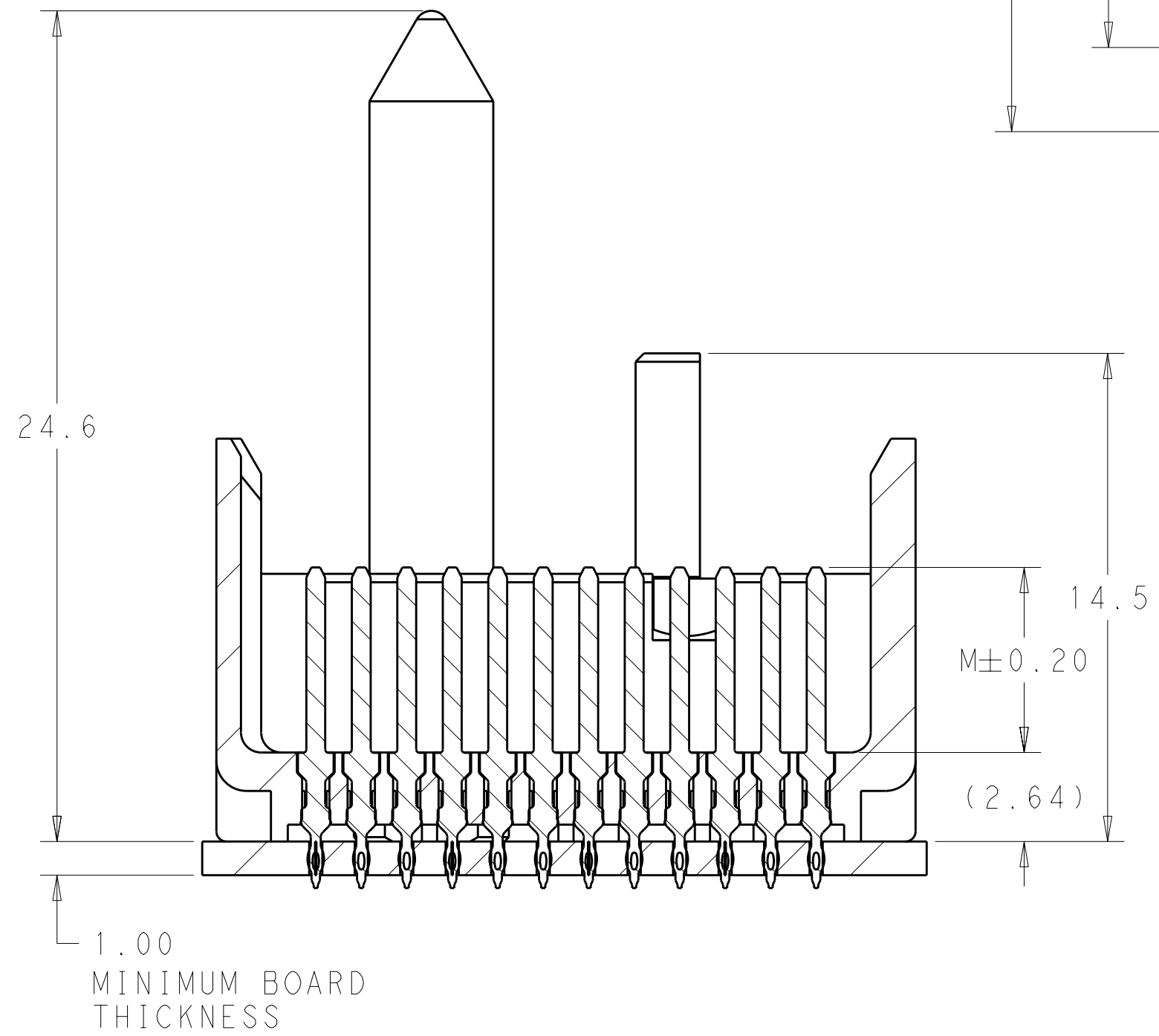
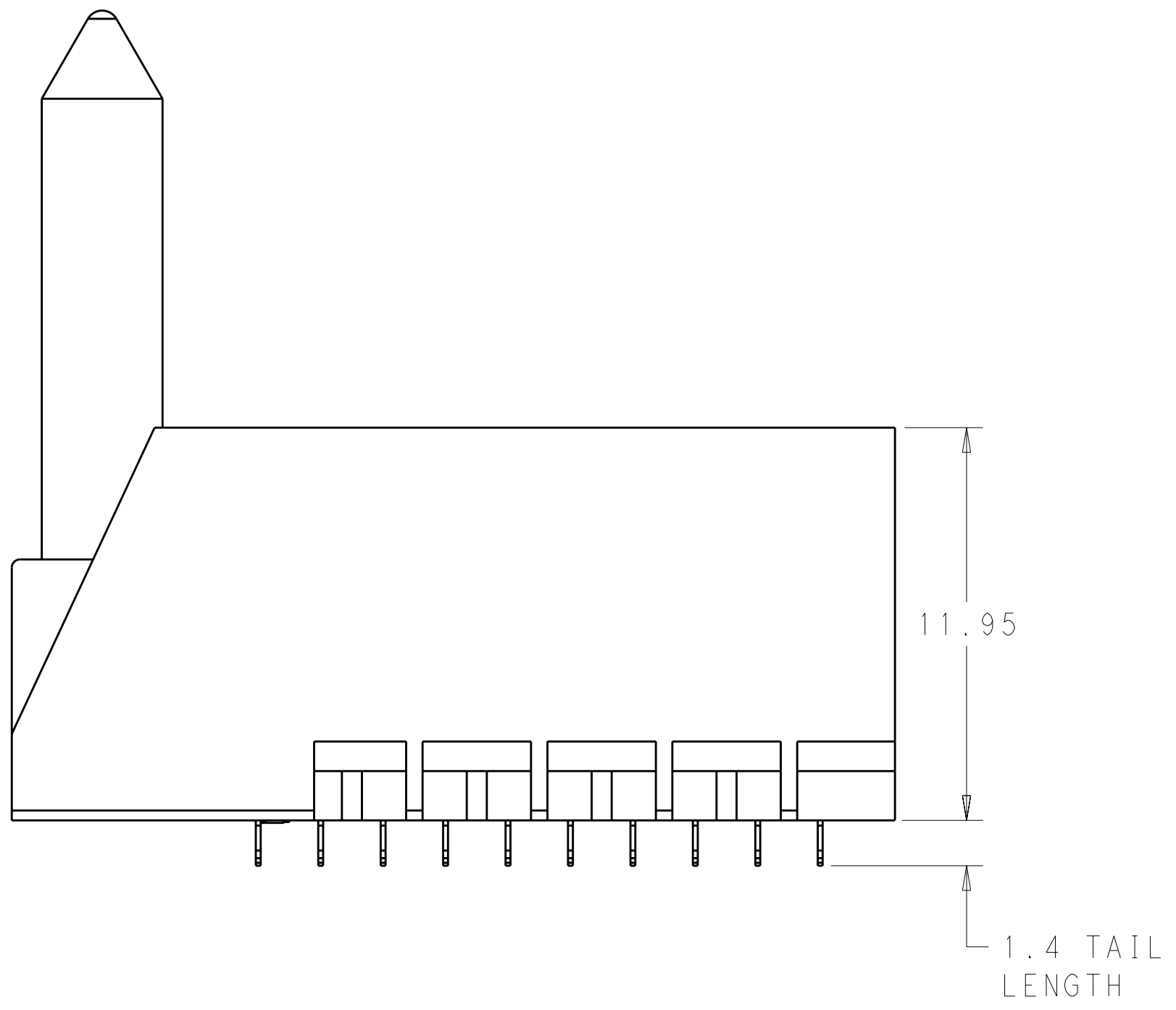
LOC	DIST	REV	DATE	BY	CHKD	APVD
AD	00	A	18FEB2010	JKS	JE	



- 1 MATERIAL:  
HOUSING: LCP GLASS FILLED UL94V-0  
TERMINALS: HIGH PERFORMANCE COPPER ALLOY
- 2 FINISH:  
30µ" MIN GOLD IN CONTACT AREA  
SELECTIVE TIN ON PCB TAILS.  
NICKEL OVERALL.
- 3 FINISH:  
30µ" MIN GOLD IN CONTACT AREA  
SELECTIVE TIN-LEAD ON PCB TAILS.  
NICKEL OVERALL.
- 4 OPTIONAL DEPENDING  
ON PART NUMBER
- 5. SCREWS PACKAGED IN END OF PACKAGING TUBE.
- 6 FOR GROUNDED GUIDE PIN USE Ø3.56±0.08 PTH,  
Ø3.66 DRILL, AND Ø6.5 PAD.
- 7. KEYING PIN SHOWN IN POSITION A, SEE KEYING CHART  
ON SHEET 2 FOR OTHER POSITIONS.



LEFT GUIDED  
BACKPLANE HOLE PATTERN  
(CONNECTOR SIDE)  
SCALE 5:1

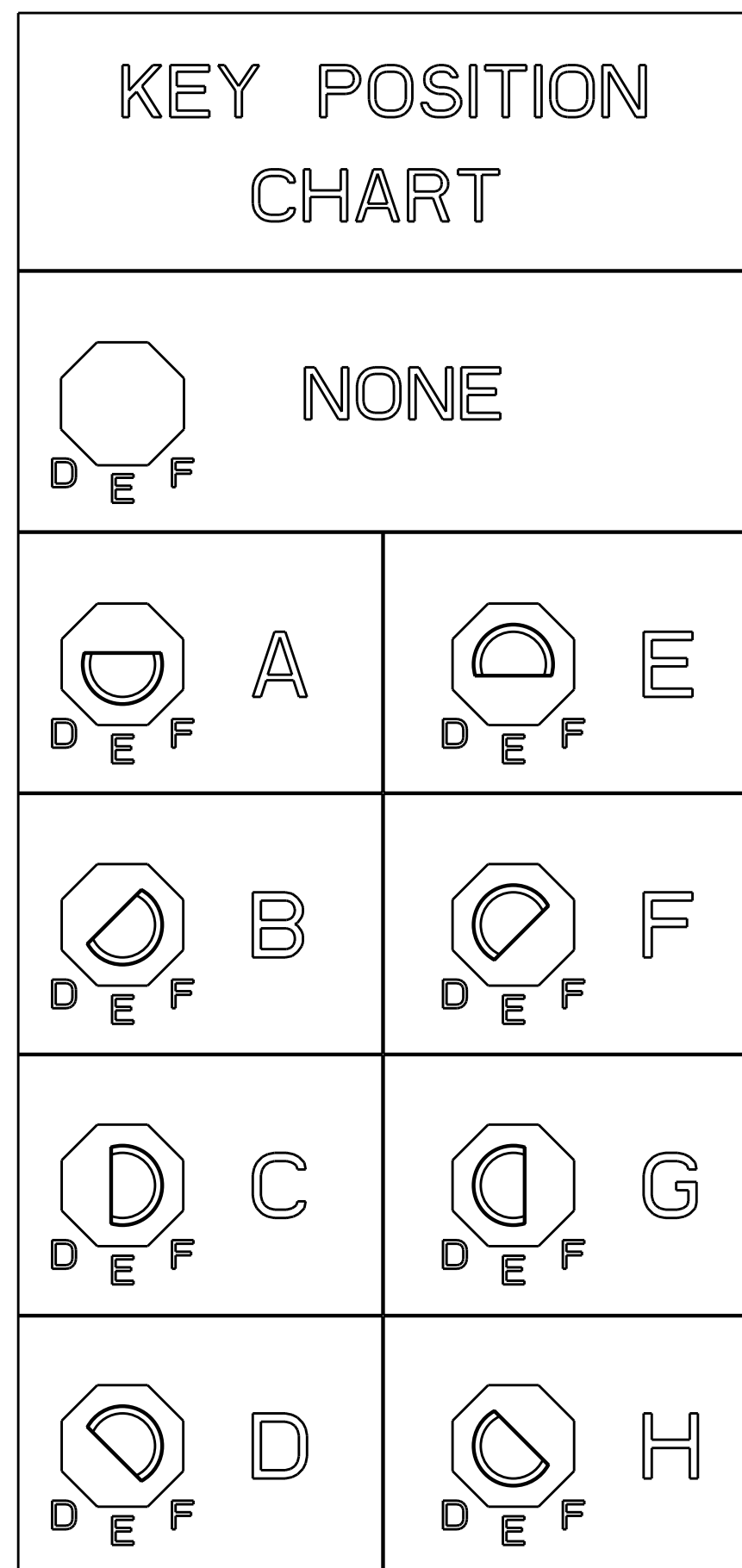
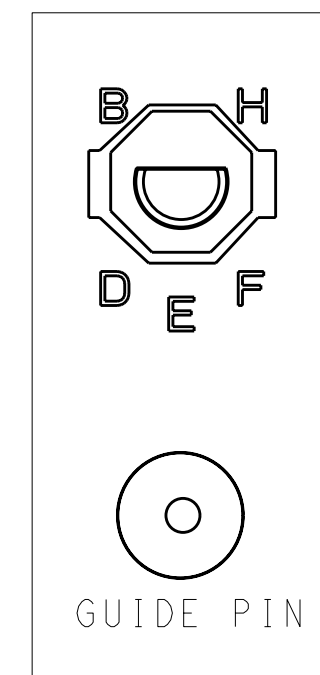


SECTION A-A

DIMENSIONS: mm 		TOLERANCES UNLESS OTHERWISE SPECIFIED: 9 PLC ±.5 1 PLC ±0.13 5 PLC ±0.013 4 PLC ±0.001 ANGLES ±.		DWN D. HUMBERT 31MAR2010 CHK J. EARY 31MAR2010 APVD J. EARY 31MAR2010		Tyco Electronics Harrisburg, PA 17105-3608	
MATERIAL 		FINISH 		NAME IMPACT, 4 PAIR HEADER, LEFT GUIDED END WALL, SELECT LOAD, HEADER ASSEMBLY, 0.39 PTH		SIZE CAGE CODE DRAWING NO A100779C=2143400	
CUSTOMER DRAWING		WEIGHT -		APPLICATION SPEC -		RESTRICTED TO -	
SCALE 11:1		SHEET 1 OF 2		REV A		DATE 18FEB2010	

LOC	DIST	REVISIONS					
AD	00	P	LTB	DESCRIPTION	DATE	DWN	APVD
		-	-	SEE SHEET 1	-	-	-

2143400-1		FINISH								
PART NUMBER		FINISH								
CONTACT LAYOUT										
A = 4.5mm (DIM M)										
B = 4.9mm (DIM M)										
C = 5.5mm (DIM M)										
COLUMNS										
	1	2	3	4	5	6	7	8	9	10
A	C	C	C	C	C	C	C	C	C	A
B	C	C	C	C	C	C	C	C	C	A
C	C	C	C	C	C	C	C	C	C	C
D	C	C	C	C	C	C	C	C	C	C
E	A	C	C	C	C	C	C	C	C	C
F	C	C	C	C	C	C	C	C	C	C
G	C	C	C	C	C	C	C	C	C	C
H	C	C	C	C	C	C	C	C	C	C
J	C	C	C	C	C	C	C	C	C	C
K	C	C	C	C	C	C	C	C	C	C
L	C	C	C	C	C	C	C	C	C	C
M	C	C	C	C	C	C	C	C	C	C



SCALE 4:1

THIS DRAWING IS UNPUBLISHED. RELEASED FOR PUBLICATION 20. THIS DRAWING IS UNPUBLISHED. RELEASED FOR PUBLICATION 20. THIS DRAWING IS UNPUBLISHED. RELEASED FOR PUBLICATION 20.		DWN: D. HUMBERT 31MAR2010	Tyco Electronics Harrisburg, PA 17105-3608												
DIMENSIONS: mm		CHK: J. EABY 31MAR2010													
TOLERANCES UNLESS OTHERWISE SPECIFIED:		APVD: J. EABY 31MAR2010	NAME: IMPACT, 4 PAIR HEADER, LEFT GUIDED END WALL, SELECT LOAD, HEADER ASSEMBLY, 0.39 PTH												
<table border="0"> <tr> <td>0 PLC</td> <td>±</td> </tr> <tr> <td>1 PLC</td> <td>±0.5</td> </tr> <tr> <td>2 PLC</td> <td>±0.13</td> </tr> <tr> <td>3 PLC</td> <td>±0.013</td> </tr> <tr> <td>4 PLC</td> <td>±0.001</td> </tr> <tr> <td>ANGLES</td> <td>±</td> </tr> </table>		0 PLC	±	1 PLC	±0.5	2 PLC	±0.13	3 PLC	±0.013	4 PLC	±0.001	ANGLES	±	PRODUCT SPEC: -	SIZE: A   00779   C=2143400
0 PLC	±														
1 PLC	±0.5														
2 PLC	±0.13														
3 PLC	±0.013														
4 PLC	±0.001														
ANGLES	±														
MATERIAL: FINISH		APPLICATION SPEC: -	RESTRICTED TO: -												
MATERIAL: FINISH		WEIGHT: -	CUSTOMER DRAWING												
		SCALE: 11:1	SHEET 2 OF 2 REV A												

单击下面可查看定价，库存，交付和生命周期等信息

[>>TE Connectivity\(泰科\)](#)