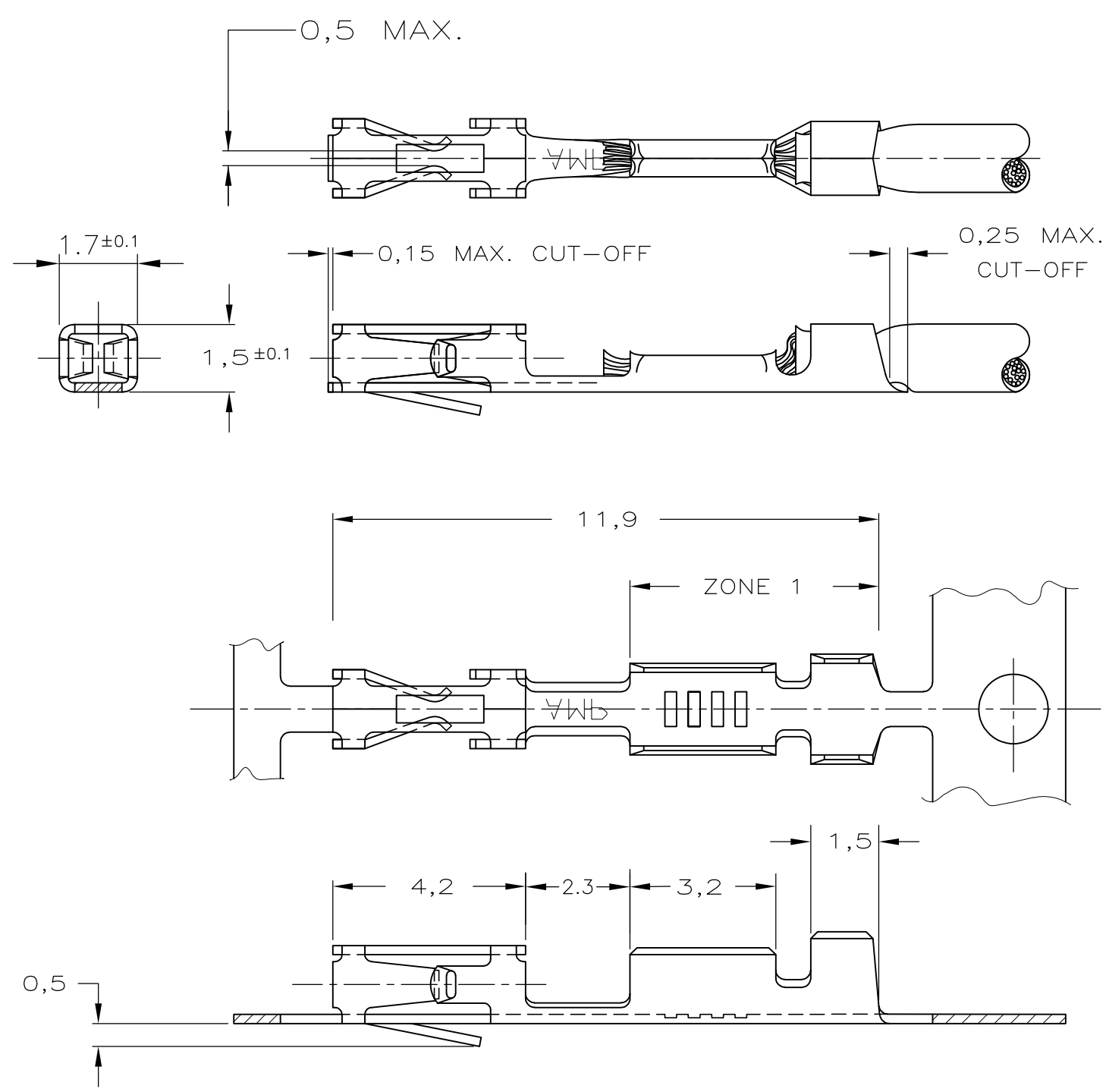


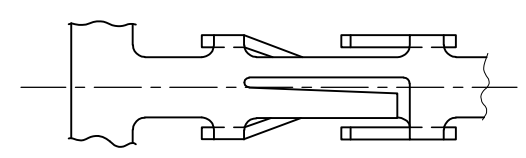
THIS DRAWING IS UNPUBLISHED. RELEASED FOR PUBLICATION
 © COPYRIGHT - By - ALL RIGHTS RESERVED.

LOC		DIST		REVISIONS			
P	LTR	DESCRIPTION		DATE	DWN	APVD	
	G2	TOLERANCE CORRECTION		23JUL2013	KJK	RP	



NOTES:

- 1 FOR MINI-APPLICATOR CRIMPING.
- 2 UNDERCOATING: 1,25µm Ni, SELECTIVE: 0,8µm Au, ZONE 1: 0,5µm MIN. GOLD FLASH.
- 3 UNDERCOATING: 1,25µm Ni, SELECTIVE: 0,8µm Au, REMAINDER: GOLD FLASH.
- 4 ZONE 1: BRIGHT TIN/LEAD PLATED.
- 5 PRE-TIN PLATED 2,0µm.
- 6 MATERIAL: PHOSPHOR BRONZE
- 7 OBSOLETE



WIRE RANGE :
 0,20-0,58 mm² 24-20 AWG
 INSULATION RANGE :
 1,6 MAX. DIA.

THIS DRAWING IS A CONTROLLED DOCUMENT.	
DIMENSIONS: mm	TOLERANCES UNLESS OTHERWISE SPECIFIED: ±0.15
	0 PLC ± - 1 PLC ± - 2 PLC ± - 3 PLC ± - 4 PLC ± - ANGLES ± -
MATERIAL	FINISH
-	-

GOLD	3	167419-4	167418-4
GOLD	2	167419-2	167418-2 7
TIN	5	167419-1	167418-1
FINISH		LOOSE PIECE	PART NUMBER

DWN J.v.LIEMPT 03 DEC 98		STE TE Connectivity			
CHK J.v.LIEMPT	-				
APVD E.LEIJTENS	-	NAME			
PRODUCT SPEC	-	AMPMODU MOD.4 RECEPTACLE, S.C.P. STRIP			
APPLICATION SPEC	-	SIZE	CAGE CODE	DRAWING NO	RESTRICTED TO
WEIGHT	-	A3	00779	C-167418	-
CUSTOMER DRAWING		SCALE	SHEET	REV	
		8:1	1 OF 1	G2	

单击下面可查看定价，库存，交付和生命周期等信息

[>>TE Connectivity\(泰科\)](#)