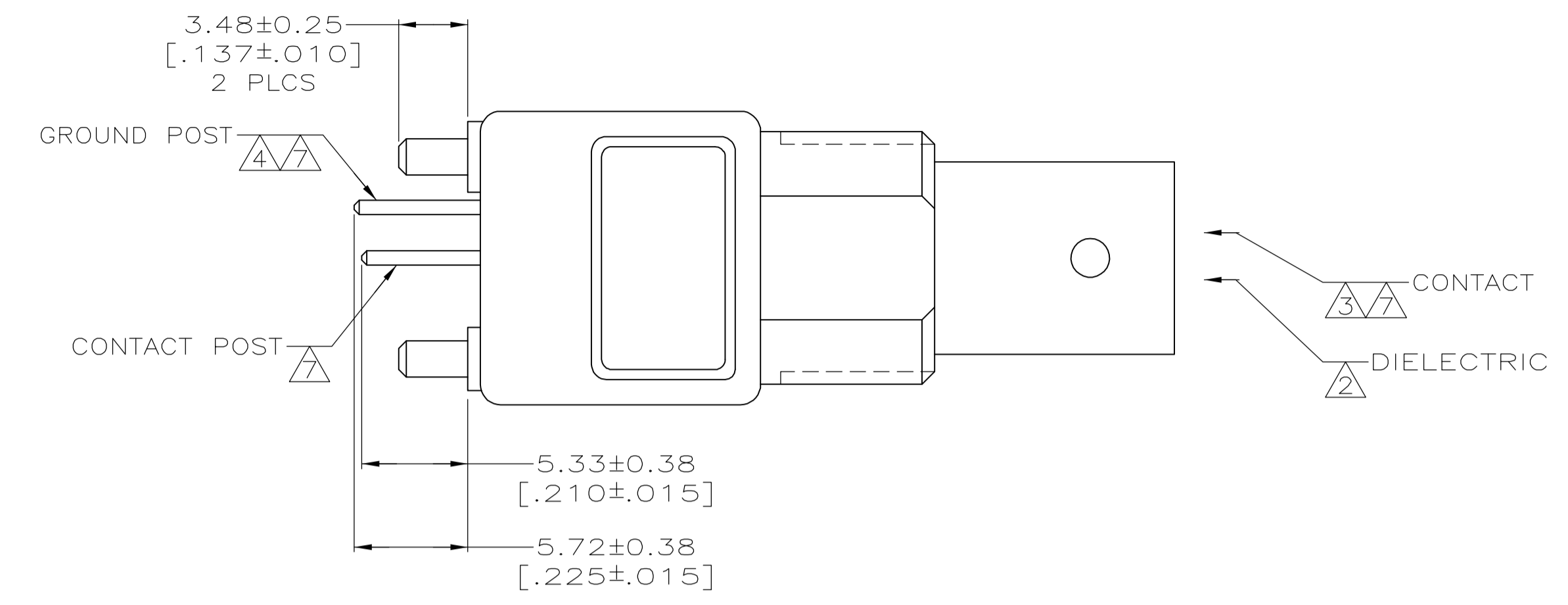
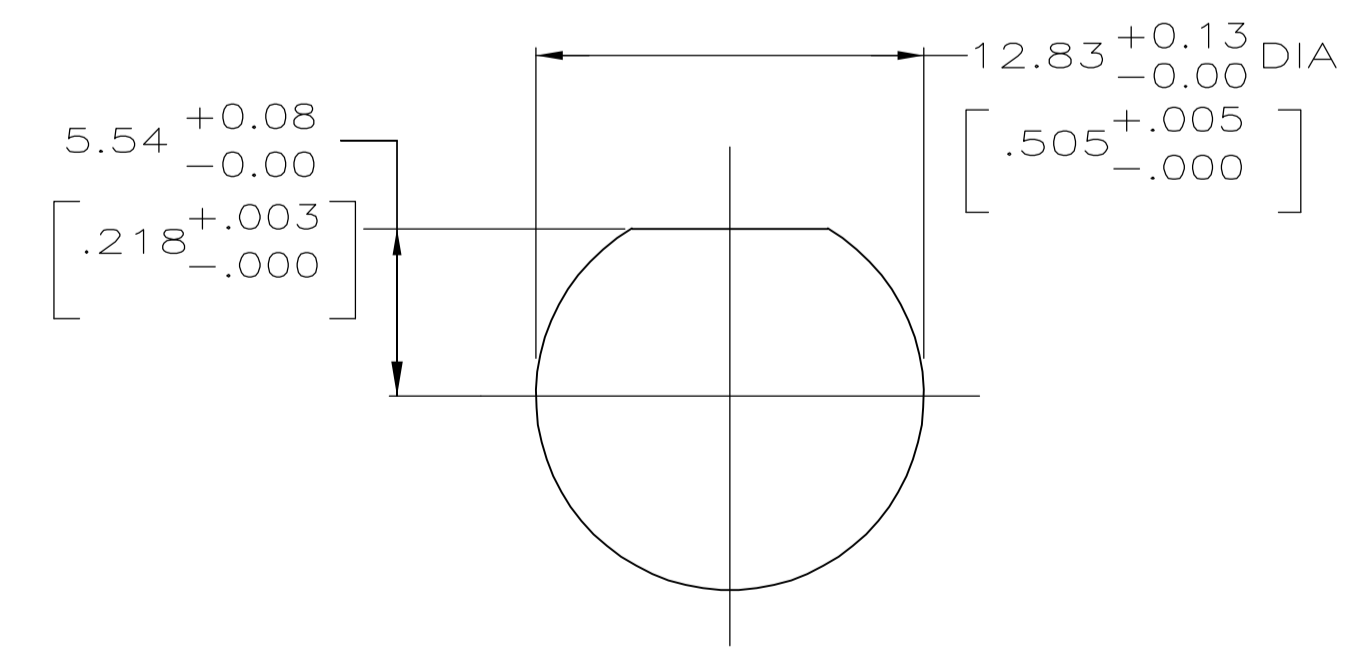
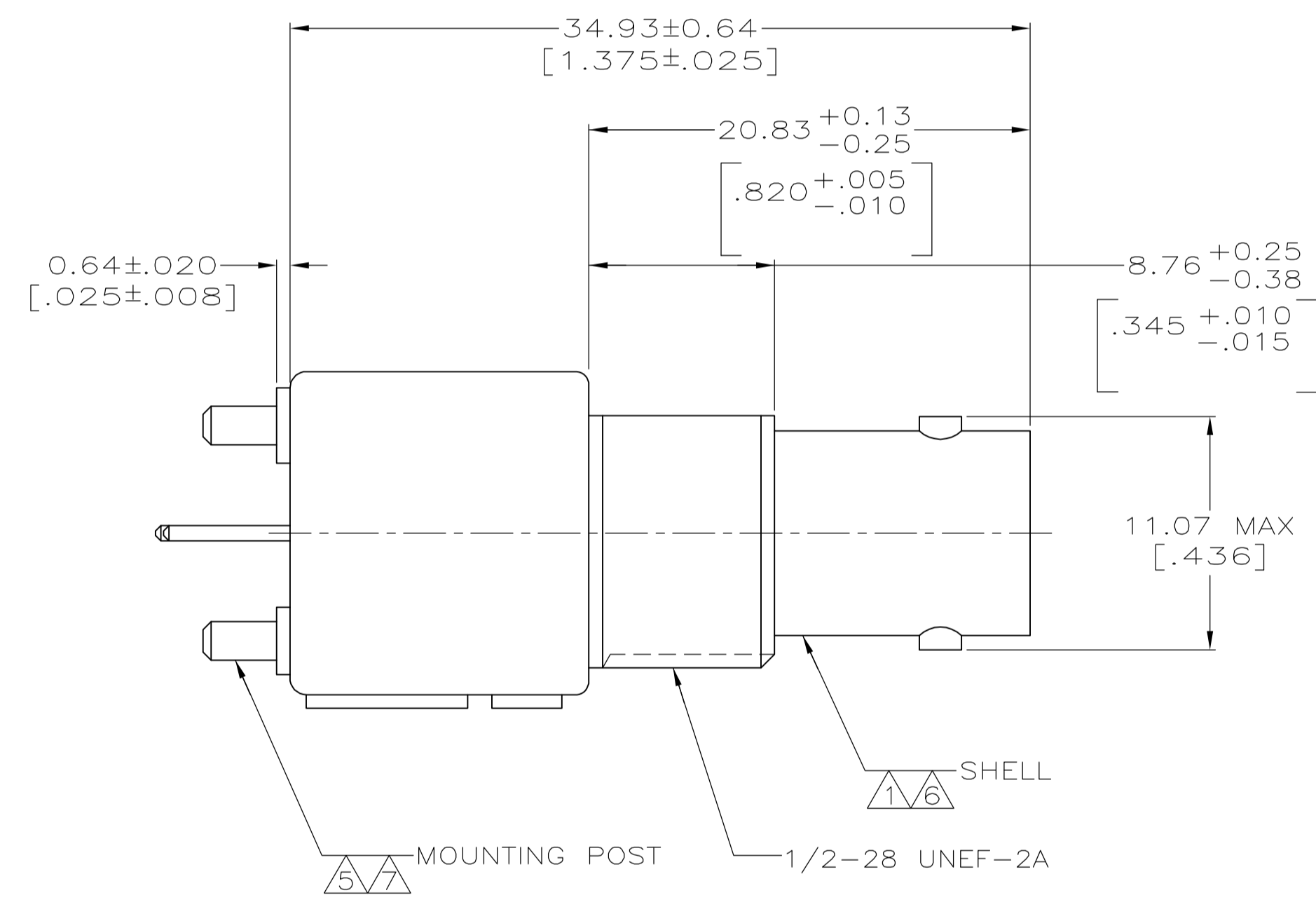
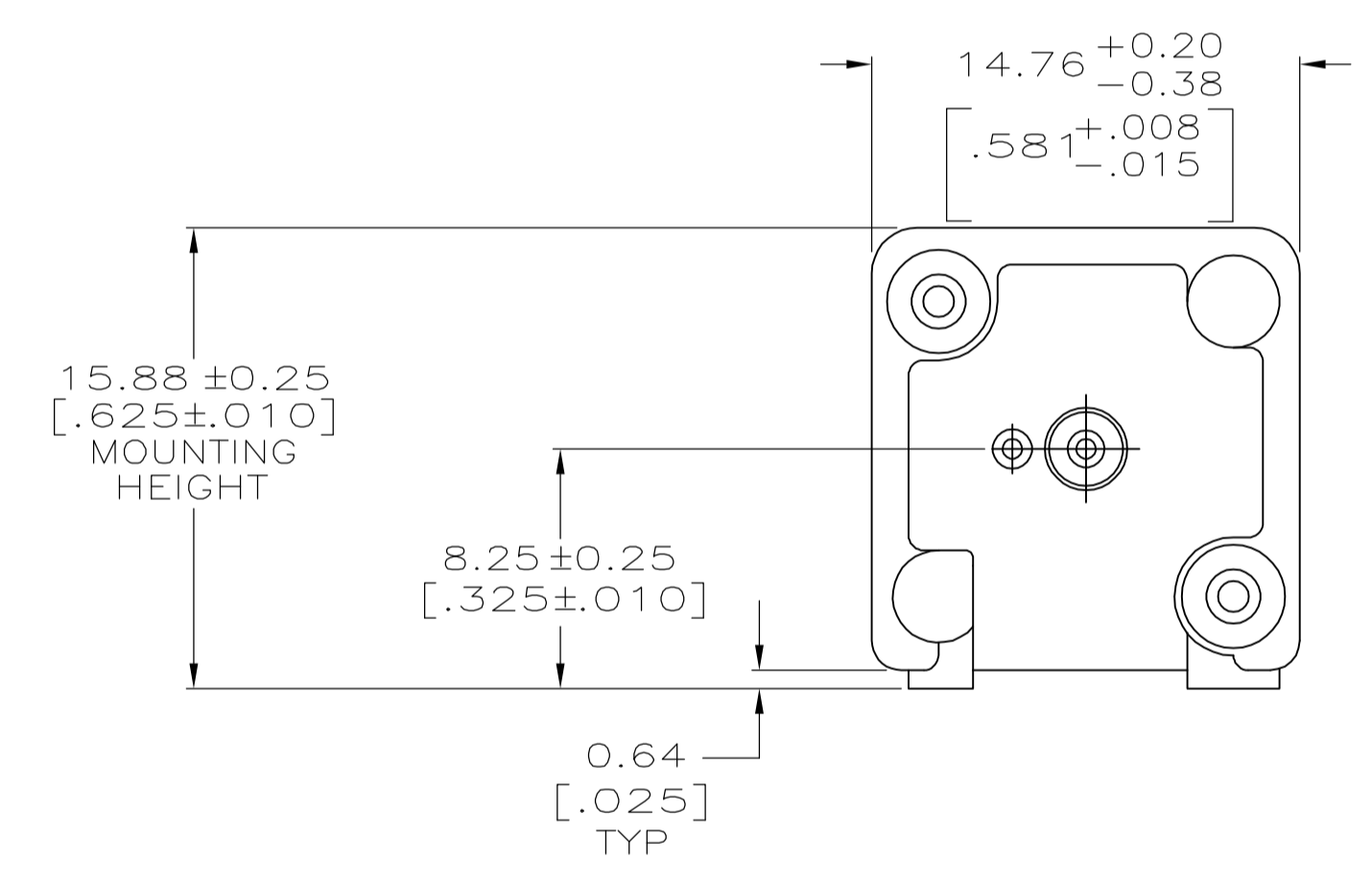


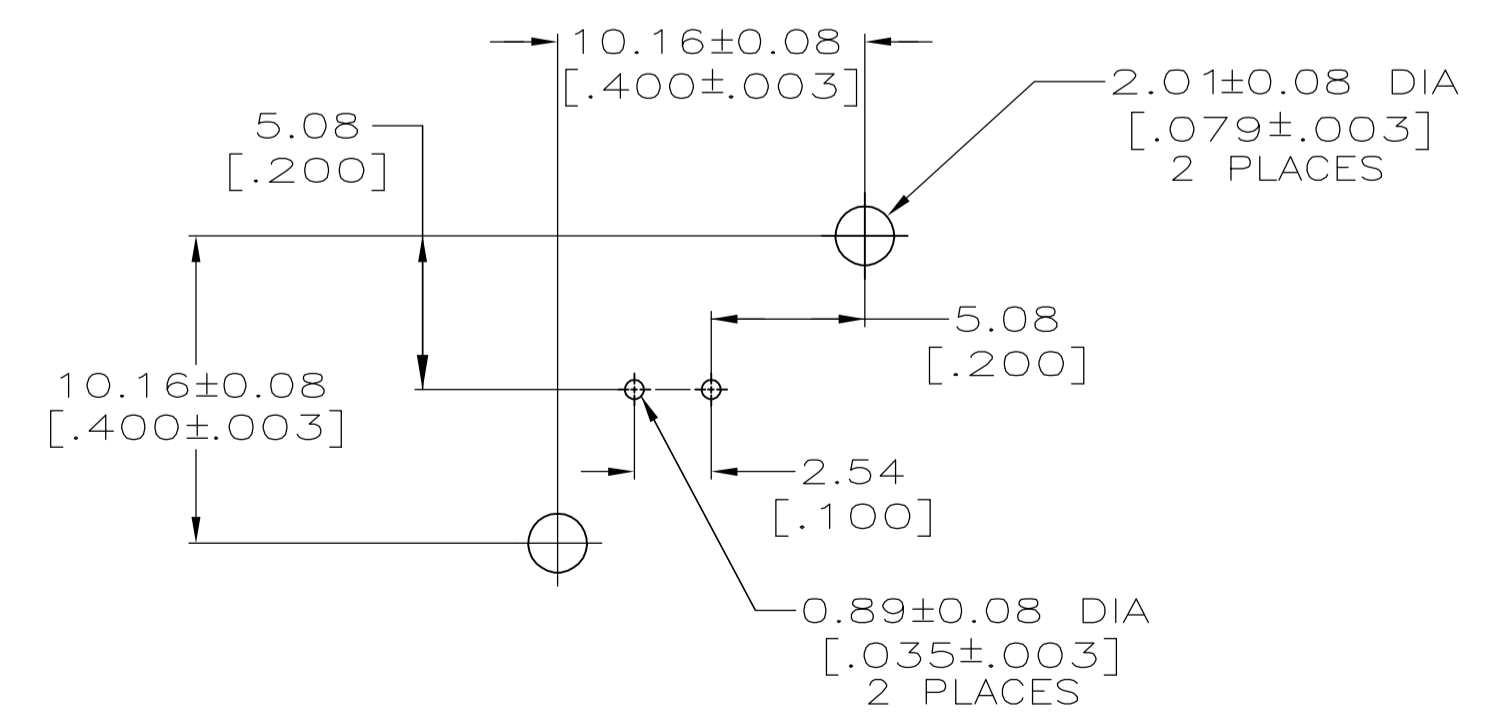
LOC		DIST		REVISIONS				
P	LTR	DATE	DMN	APVO	DESCRIPTION	DATE	DMN	APVO
AJ		16		C	PER EC 0514-0184-04	06JAN04	BM	JL



- ① ZINC PER QQ-Z-363.
- ② POLYMETHYLPENTENE PER ASTM-D-1238.
- ③ PHOSPHOR BRONZE PER QQ-B-750.
- ④ BRASS PER ASTM-B-453.
- ⑤ BRASS PER ASTM-B-16.
- ⑥ NICKEL PLATE PER QQ-N-290, 3.81 μm [.000150] MINIMUM THICK.
- ⑦ TIN PLATE PER ASTM-B-545, 3.81 μm [.000150] MINIMUM THICK.
- 8. SEE INSTRUCTION SHEET 2769.



RECOMMENDED PANEL CUTOUT



PCB CONFIGURATION

227671-1  
 PART NUMBER

THIS DRAWING IS A CONTROLLED DOCUMENT.		DIN J. LIPPERT 6-30-92		Tyco Electronics Corporation	
DIMENSIONS: INCHES		CHK A. GABANY 7-2-92		Harrisburg, PA 17105-3608	
TOLERANCES UNLESS OTHERWISE SPECIFIED:		APVO A. GABANY 7-2-92		NAME	
0 PLC ± -		PRODUCT SPEC		JACK, VERTICAL, PCB, 50 OHM, SERIES BNC	
1 PLC ± -		APPLICATION SPEC		108-12078	
2 PLC ± ± 0.05 [.002]		SIZE		CAGE CODE	
3 PLC ± ± -		A1		00779	
4 PLC ± ± -		DRAWING NO		227671	
ANGLES ± -		WEIGHT		-	
FINISH SEE NOTES 6-8		CUSTOMER DRAWING		SCALE 4:1 SHEET 1 OF 1 REV C	

单击下面可查看定价，库存，交付和生命周期等信息

[>>TE Connectivity\(泰科\)](#)