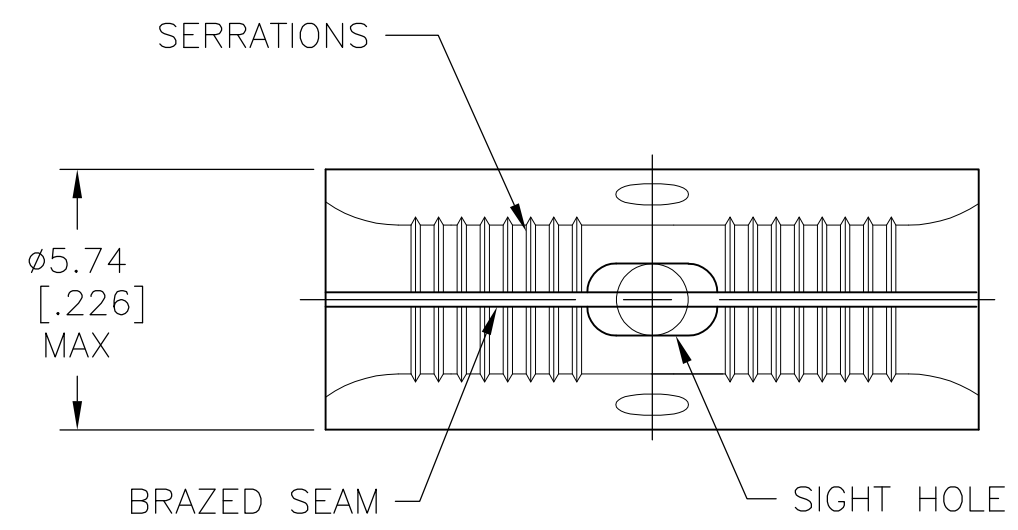
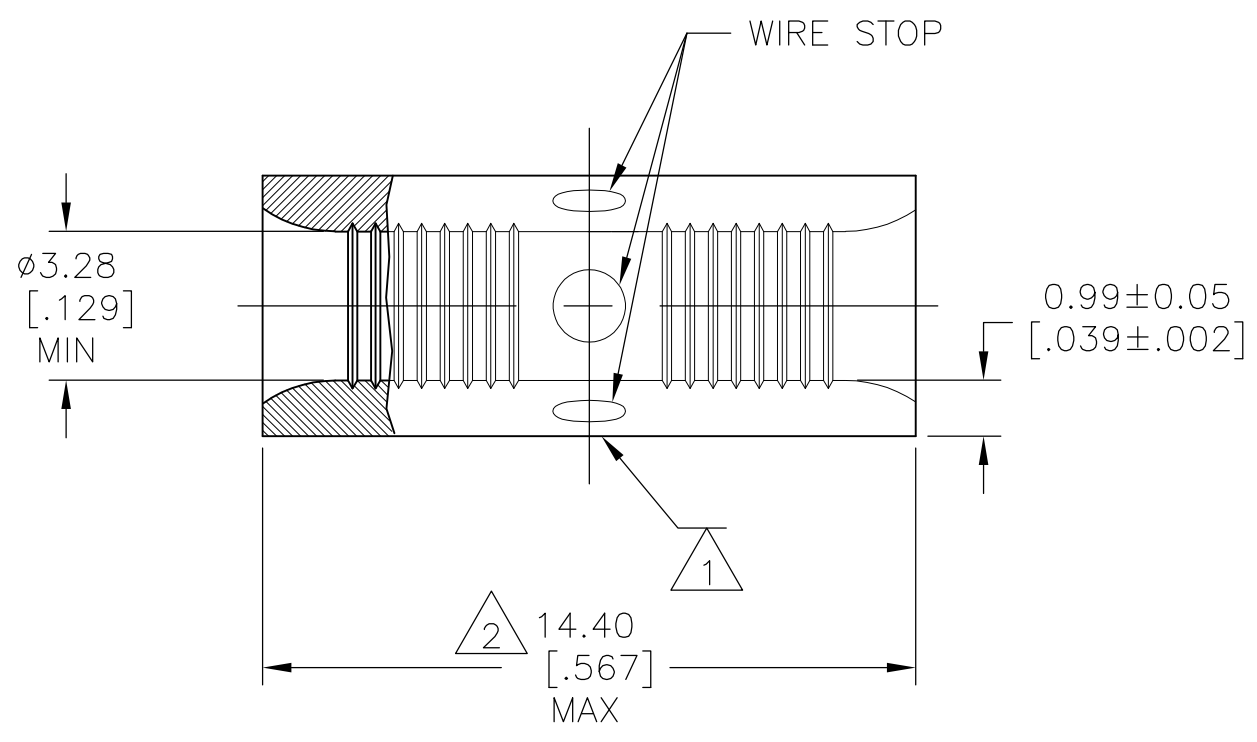


THIS DRAWING IS UNPUBLISHED. RELEASED FOR PUBLICATION
 © COPYRIGHT BY TYCO ELECTRONICS CORPORATION. ALL INTERNATIONAL RIGHTS RESERVED.

LOC	DIST	REVISIONS					
		P	LTR	DESCRIPTION	DATE	DWN	APVD
G	14		E1	REDRAWN PER ECO-10-021357	200CT10	HMR	DR



- 1 STAMP AMP 12-10* APPROX AS SHOWN
- 2 MAXIMUM LENGTH DOES NOT INCLUDE MANUFACTURING TABS
- 3 MATERIAL: COPPER PER ASTM-B152 ANNEALED
- 4 FINISH: TIN PLATE 0.00254 [.000100] MIN THK PER ASTM-B545



AMP WIRE RANGE	E13288 Listed
12-10 AWG SOLID OR STRANDED	12-10 AWG STRANDED
LR7189 Certified	MILITARY P/N AND CLASS
12-10 AWG SOLID OR STRANDED	NOT APPLICABLE

50	LOOSE PIECE, BOX	8-330369-2
-	LOOSE PIECE	330369
QTY	PART NO.	PART NO.

CUSTOMER SERVICE SYSTEMS		MAX RECOMMENDED OPERATING TEMPERATURE: 170°C MAX
FOR ADDITIONAL PRODUCT INFORMATION OR COPIES OF DRAWINGS AND TECHNICAL DOCUMENTS	PRODUCT INFORMATION CENTER 1-800-522-6752	VOLTAGE RATING: N/A
FOR APPLICATION TOOLING INFORMATION	TOOLING ASSISTANCE CENTER 1-800-722-1111	WIRE CROSS SECTIONAL AREA RANGE: 2.62-6.64mm ² [5,180-13,100] CIR MILS SOLID OR STRANDED
FOR ORDER ENTRY	1-800-526-5142	THIS DRAWING IS A CONTROLLED DOCUMENT FOR AMP INCORPORATED. IT IS SUBJECT TO CHANGE AND THE CONTROLLING ENGINEERING ORGANIZATION SHOULD BE CONTACTED FOR THE LATEST REVISION.

THIS DRAWING IS A CONTROLLED DOCUMENT.	
DIMENSIONS: mm [INCHES]	TOLERANCES UNLESS OTHERWISE SPECIFIED:
	0 PLC ± -
	1 PLC ± -
	2 PLC ± -
	3 PLC ± 0.20 [.008]
	4 PLC ± -
	ANGLES ± -
MATERIAL	FINISH

DWN RAGHAVENDRA 200CT10	Tyco Electronics Corporation Harrisburg, PA 17105-3608	
CHK ROHDE DANIEL 200CT10	NAME	
APVD ROHDE DANIEL 200CT10	SPLICE, BUTT, SIGHT HOLE, SOLISTRAND	
PRODUCT SPEC	SIZE	CAGE CODE
APPLICATION SPEC	A3	00779
WEIGHT	DRAWING NO	RESTRICTED TO
-	G-330369	-
CUSTOMER DRAWING	SCALE 4:1	SHEET 1 OF 1
	REV E1	

单击下面可查看定价，库存，交付和生命周期等信息

[>>TE Connectivity\(泰科\)](#)