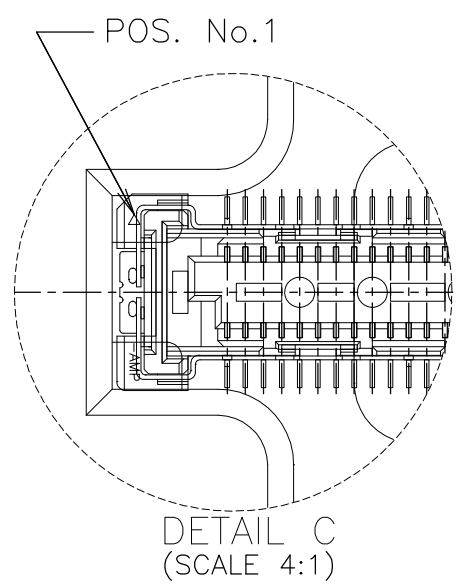
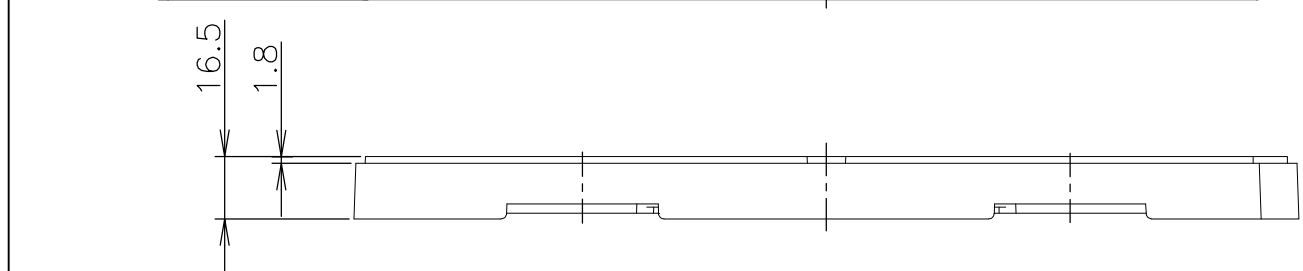
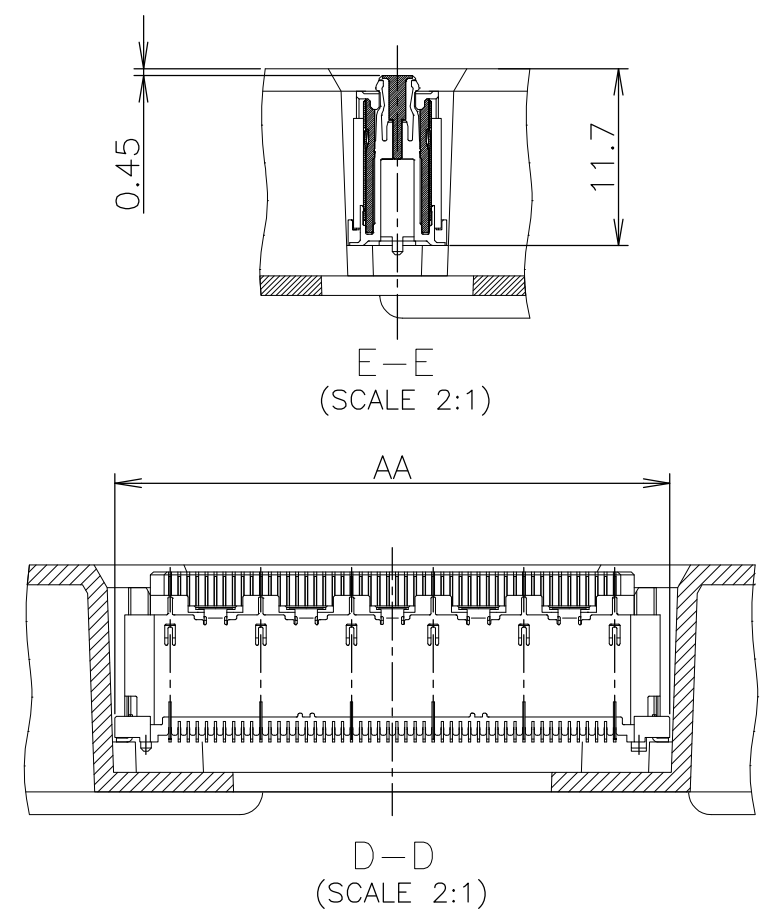
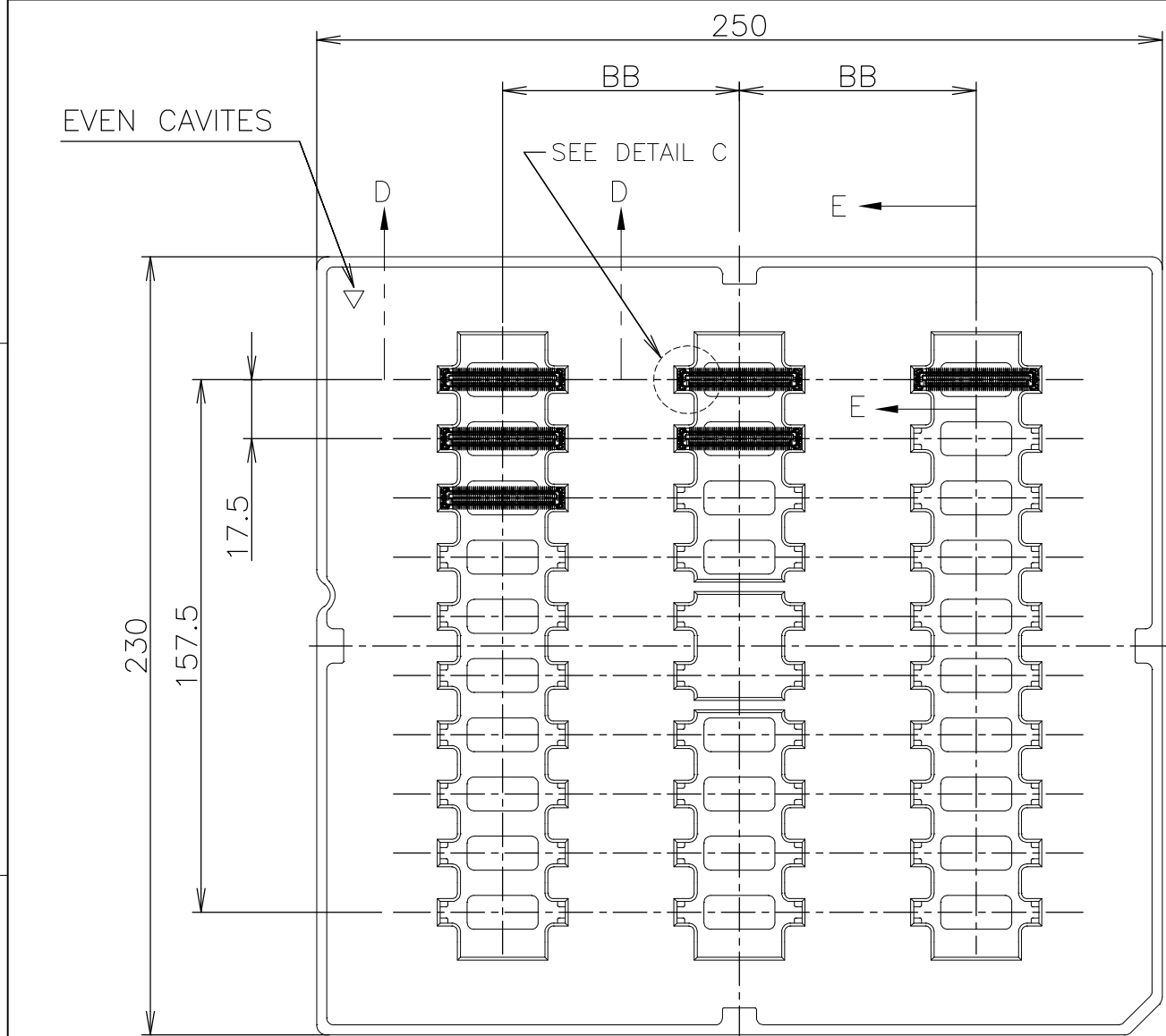


THIS DRAWING IS UNPUBLISHED. RELEASED FOR PUBLICATION NOV, 1995.
 © COPYRIGHT 1995 By - ALL RIGHTS RESERVED.

LOC	DIST	REVISIONS			DATE	DWN	APVD
J		P	LTR	DESCRIPTION			
		B	REVISED	ECR-13-007649	07MAY13	I.T	S.Y



NON SEALANT	AVAILABLE	3	30	70	48.7	140	6-5316318-0
	AVAILABLE	3	30	70	54.7	160	1-5316318-1
	AVAILABLE	↑	↑	↑	48.7	140	1- -0
	NOT AVAILABLE				42.7	120	-9
		↓	↓	↓	36.7	100	-8
		3	30	70	33.7	90	-7
		5	50	43	30.7	80	-6
		↑	↑	↑	27.7	70	-5
					24.7	60	-4
		↓	↓	↓	21.7	50	-3
SEALANT	TOOLING STATUS	ROW	QTY	BB	AA	POS.	PART NO.
		5	50	43	15.7	30	5316318-1

THIS DRAWING IS A CONTROLLED DOCUMENT.

DWN LEO ZHOU 11NOV04
 CHK STEVEN YAO 11NOV04
 APVD IKUO ENOMOTO 11NOV04

PRODUCT SPEC 108-60047
 APPLICATION SPEC 114-5255

WEIGHT

MATERIAL

FINISH

GENERAL TOLERANCE 一般公差
 10 ≥ ±0.2
 30 ≥ >10: ±0.25
 100 ≥ >30: ±0.3
 ANGLES: ±3°

TOLERANCES UNLESS OTHERWISE SPECIFIED: 一般公差
 0 PLC ± -
 1 PLC ± -
 2 PLC ± -
 3 PLC ± -
 4 PLC ± -
 ANGLES ± -

SCALE 1:2 SHEET 1 OF 3 REV B

CUSTOMER DRAWING

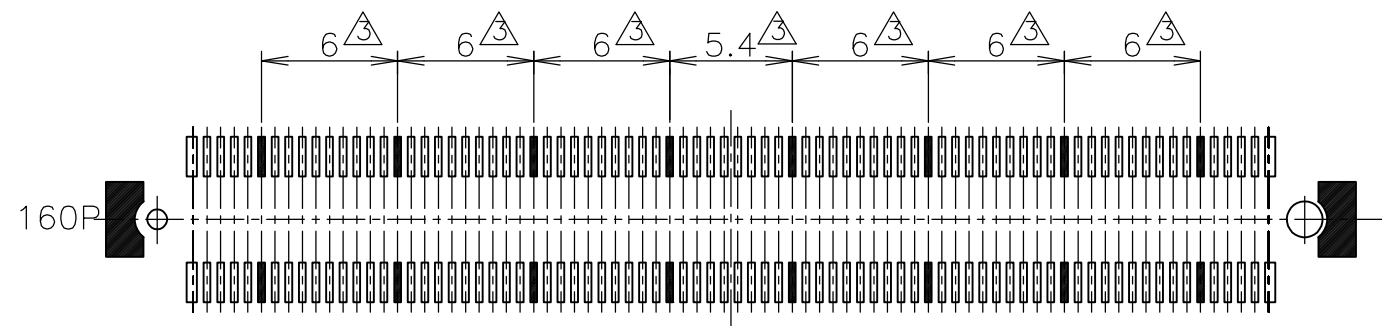
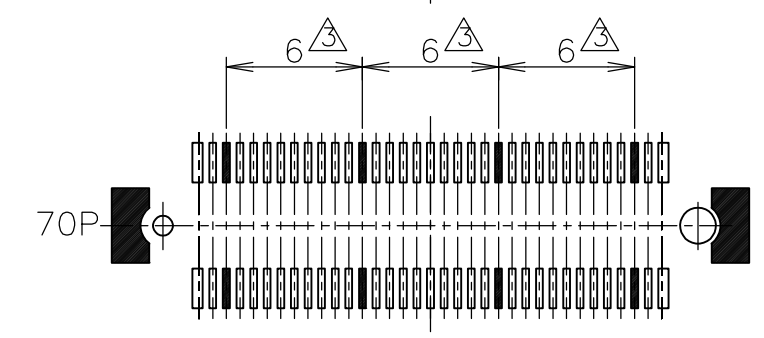
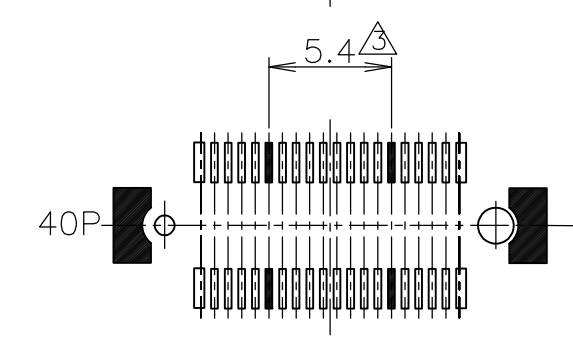
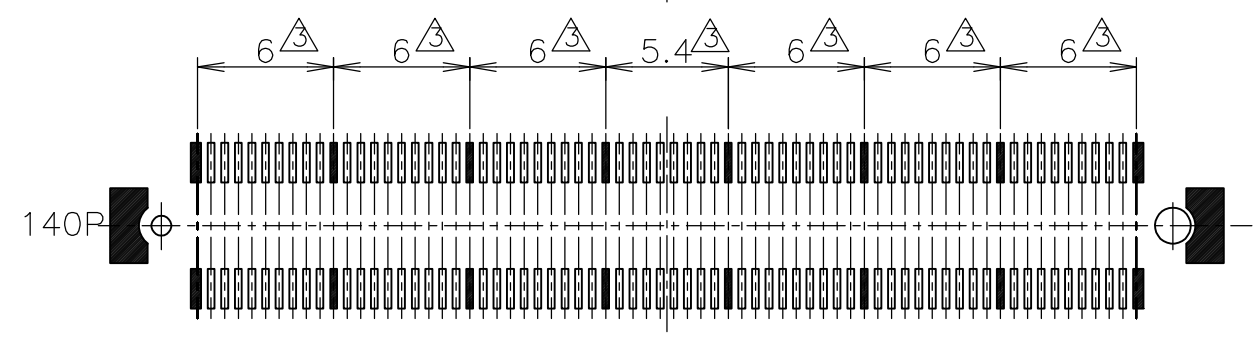
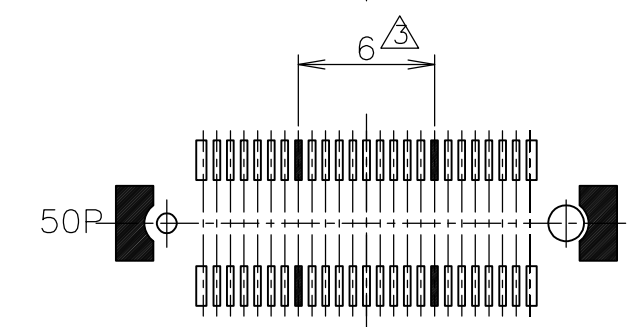
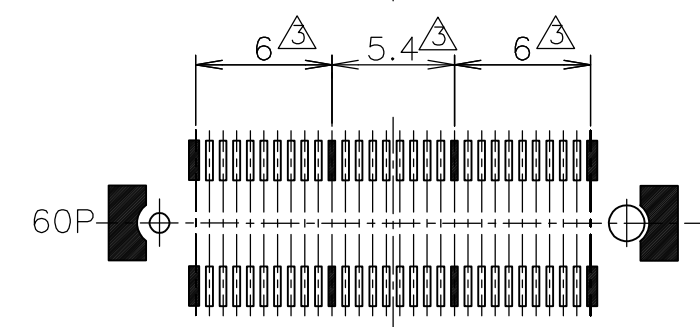
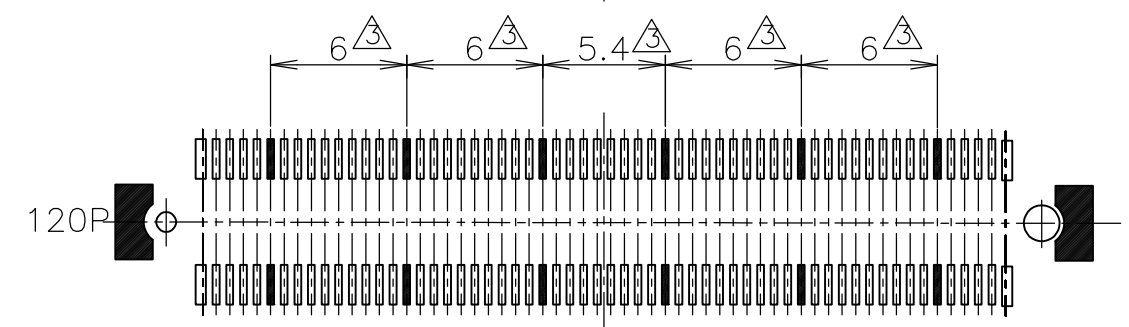
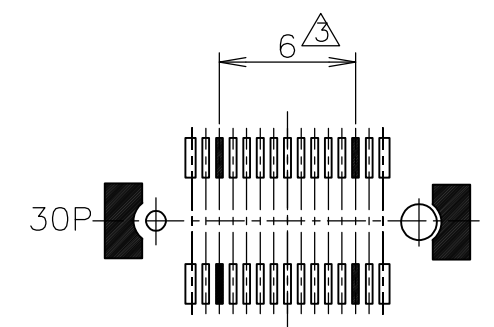
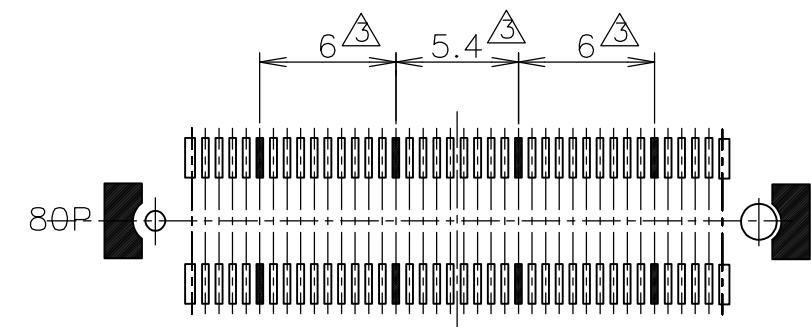
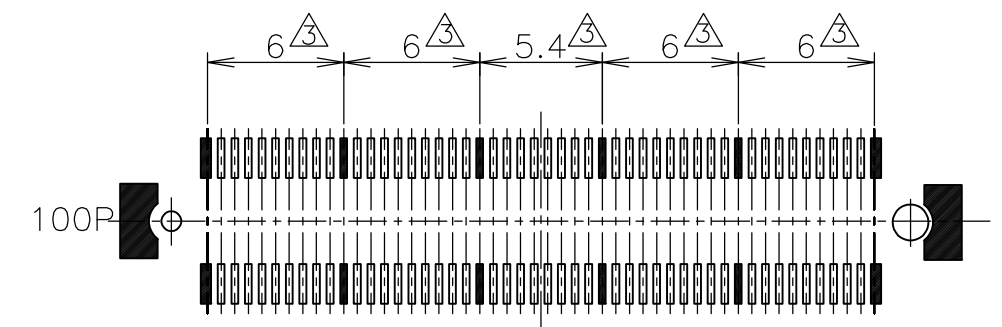
STE TE Connectivity

HARD TRAY ASSY
 FH 0.6BTB CONNECTOR
 REC 12H W/G-CONT

SIZE A3 CAGE CODE 00779 DRAWING NO G-5316318 RESTRICTED TO

THIS DRAWING IS UNPUBLISHED. RELEASED FOR PUBLICATION NOV, 1995.
 © COPYRIGHT 1995 By - ALL RIGHTS RESERVED.

LOC	DIST	REVISIONS		
J		P	LTR	DESCRIPTION
		-		SEE SHEET 1
			DATE	DWN
			-	-
			APVD	-



- ① MATERIAL ; HOUSING : HIGH TEMP THERMO PLASTIC UL94V-0
CONTACT : COPPER ALLOY
- ② FINISH ; UNDER PL Ni 0.0013mm MIN ALL OVER.
CONTACT AREA 0.0002 MIN Au PL.
SOLDERING AREA 0.001 MIN TIN PL.
- ③ THIS POSITION IS GROUND CIRCUIT.

GENERAL TOLERANCE
 一般公差
 10 ≥ : ±0.2
 30 ≥ >10 : ±0.25
 100 ≥ >30 : ±0.3
 ANGLES : ±3°

THIS DRAWING IS A CONTROLLED DOCUMENT.	
DIMENSIONS: 单位: 耗 mm	TOLERANCES UNLESS OTHERWISE SPECIFIED: 一般公差
	0 PLC ± - 1 PLC ± - 2 PLC ± - 3 PLC ± - 4 PLC ± - ANGLES ± -
MATERIAL 材料	FINISH 仕上
①	②

DWN	STE TE Connectivity		
CHK	NAME 名称		
APVD	HARD TRAY ASSY FH 0.6BTB CONNECTOR REC 12H W/G-CONT		
PRODUCT SPEC 製品規格	SIZE	CAGE CODE	DRAWING NO 番号
APPLICATION SPEC 取付適用規格	A3	00779	G-5316318
WEIGHT	CUSTOMER DRAWING		RESTRICTED TO
SCALE 尺度	3:1	SHEET 3 OF 3	REV B

单击下面可查看定价，库存，交付和生命周期等信息

[>>TE Connectivity\(泰科\)](#)