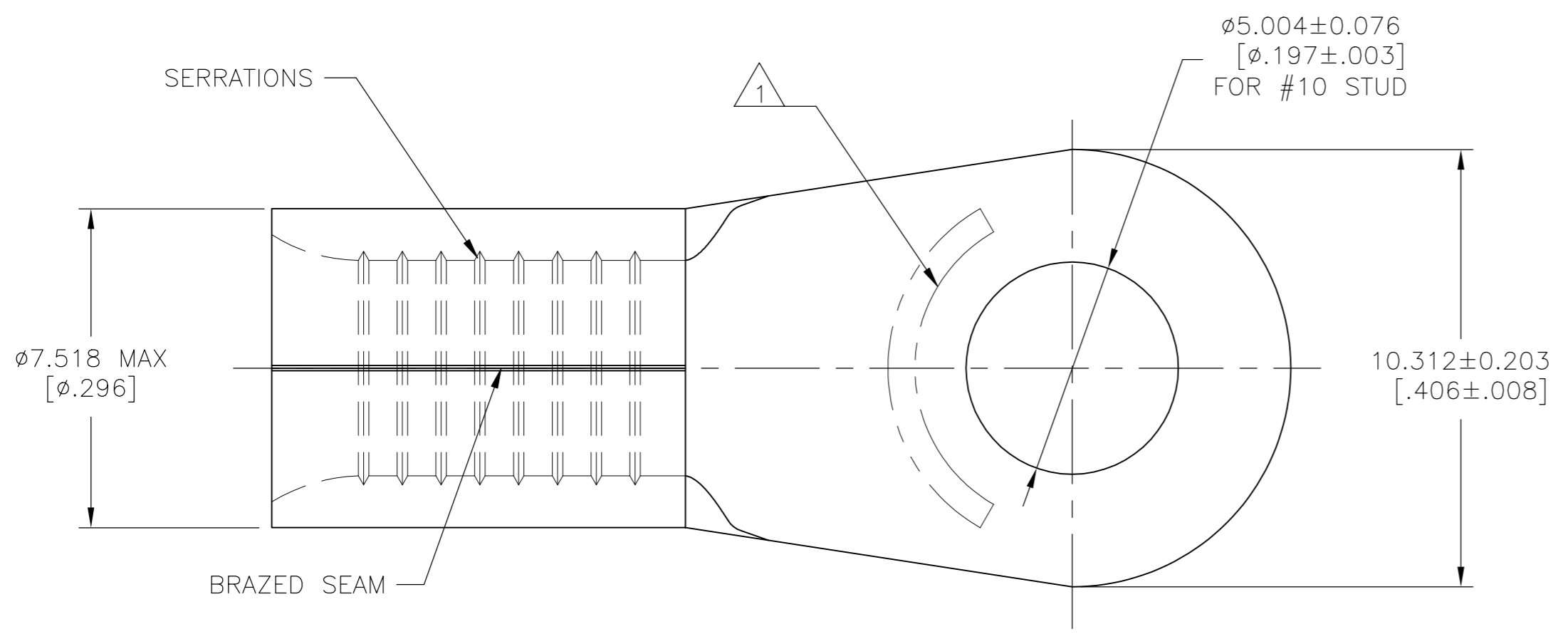


THIS DRAWING IS UNPUBLISHED.
 RELEASED FOR PUBLICATION
 ALL RIGHTS RESERVED.

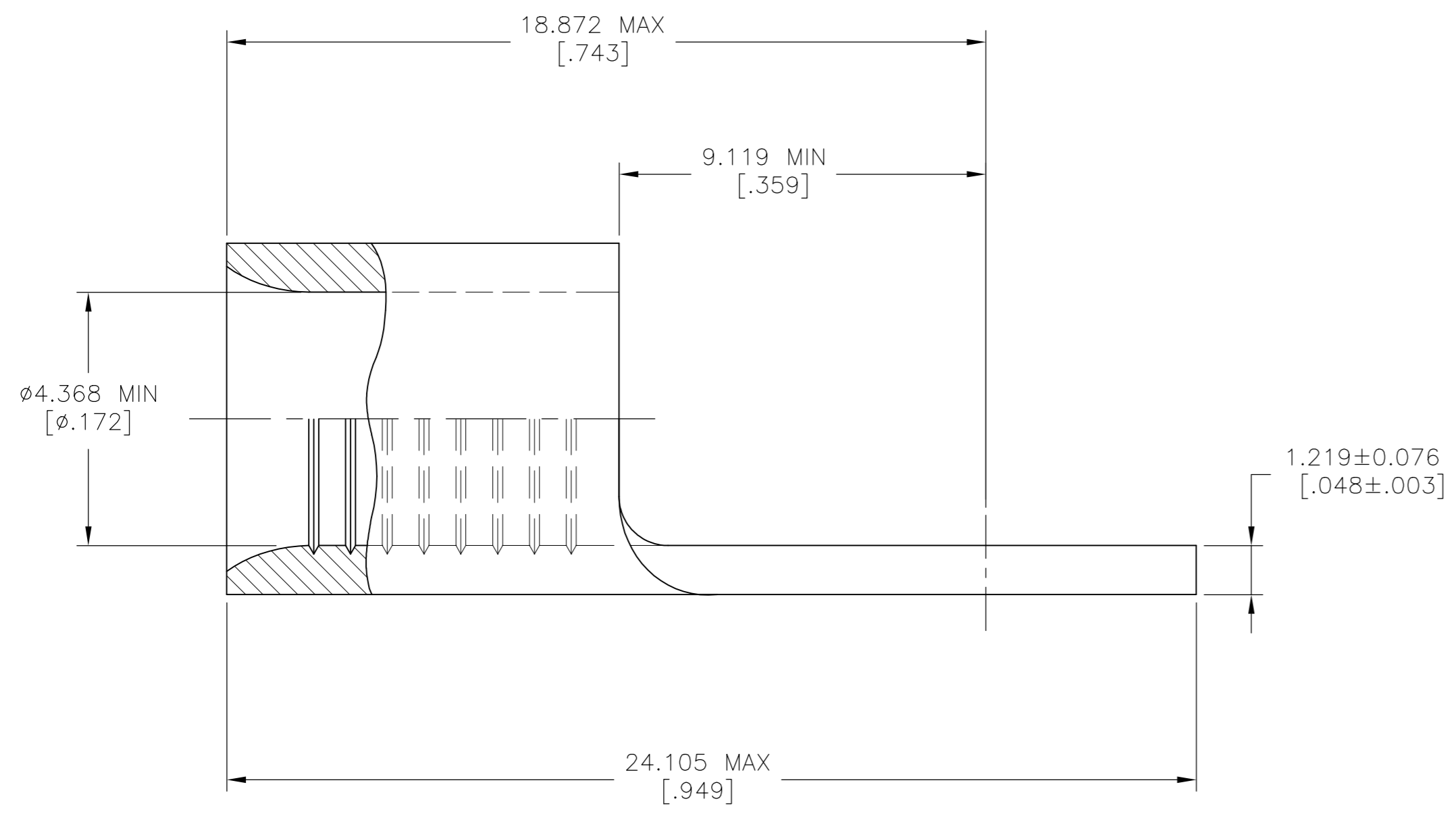
REVISIONS					
P	LTR	DESCRIPTION	DATE	DWN	APVD
	C2	REVISED PER ECO-11-004917	11MAR11	RK	HMR
	C3	REVISED PER ECO-18-002105	27FEB2018	RS	DR



AMP
WIRE RANGE

8 AWG
SOLID OR STRANDED

- 1 STAMP AMP 8* APPROX AS SHOWN
- 2 COPPER PR ASTM B-152, ANNEALED
- 3 NICKEL PLATE 0.00762 [.000300] MIN EXT THK PER SAE AMS QQ-N-290.



PRELIMINARY	2000	BULK/BAG	323165-1
	100	LOOSE PIECE	323165
	QUANTITY	PACKAGE TYPE	PART NO

MAX RECOMMENDED OPERATING TEMPERATURE: 343°C[649°F] MAX VOLTAGE RATING: N/A CIRCULAR MIL AREA: 6.64-10.50mm ² [13,100-20,800] SOLID OR STRANDED	THIS DRAWING IS A CONTROLLED DOCUMENT. DIMENSIONS: mm [INCHES]		TOLERANCES UNLESS OTHERWISE SPECIFIED: 0 PLC ± - 1 PLC ± - 2 PLC ± - 3 PLC ± 0.127[.005] 4 PLC ± - ANGLES ± -		DWN TA BRINKMAN 4-19-93 CHK DA PATTERSON 4-19-93 APVD JL MECKLEY 4-19-93	STE TE Connectivity Ltd.	
	MATERIAL - 2		FINISH - 3		PRODUCT SPEC 108-32046 APPLICATION SPEC 114-2162 WEIGHT		NAME TERMINAL, RING TONGUE, HEAT RESISTANT, STRATO-THERM, 8 AWG
CUSTOMER DRAWING				SIZE A2 CAGE CODE 00779 DRAWING NO. C-323165		RESTRICTED TO -	
				SCALE 8:1		SHEET 1 OF 1 REV C3	

单击下面可查看定价，库存，交付和生命周期等信息

[>>TE Connectivity\(泰科\)](#)