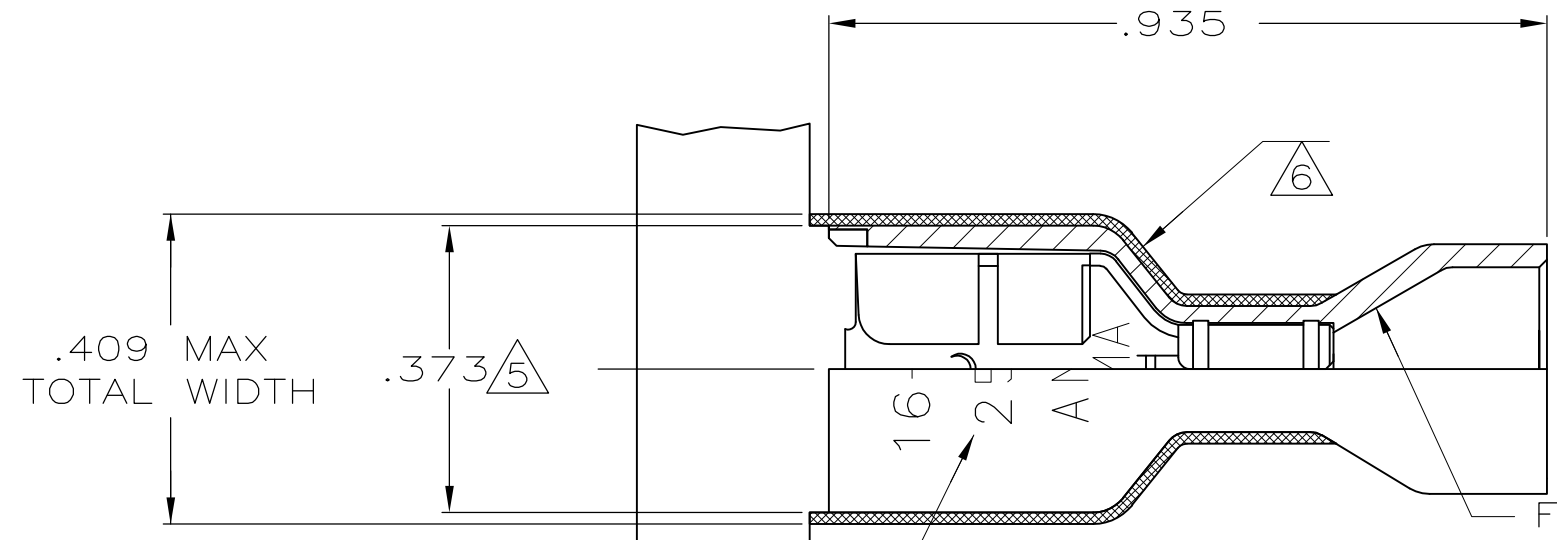
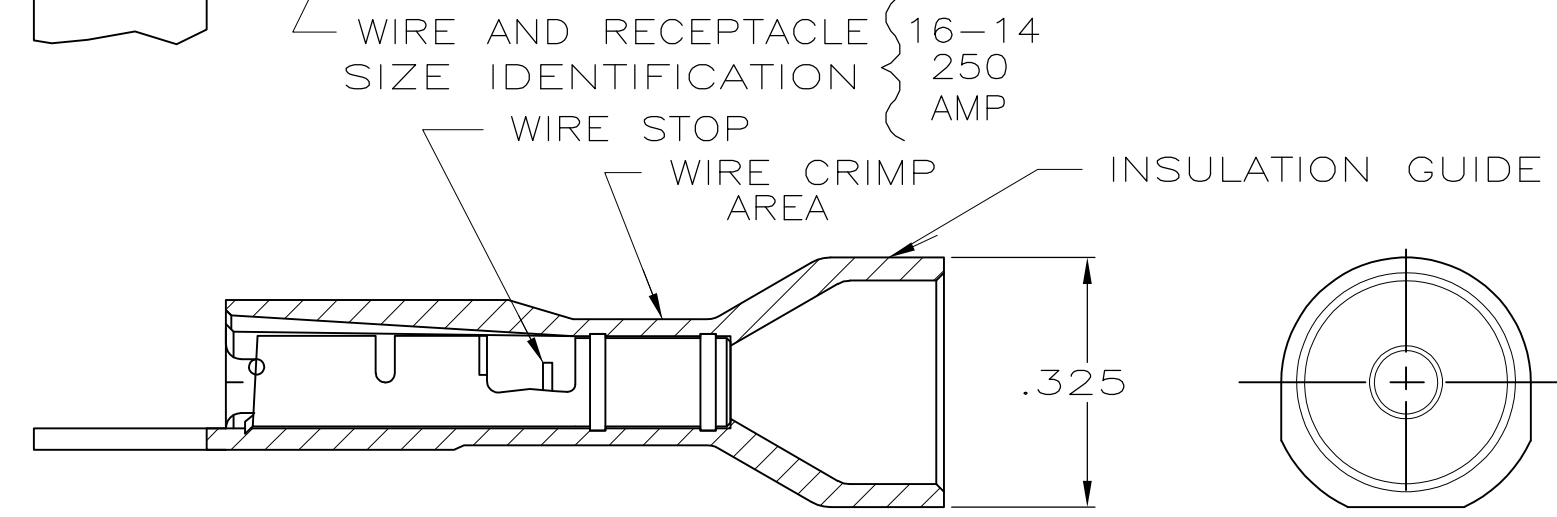
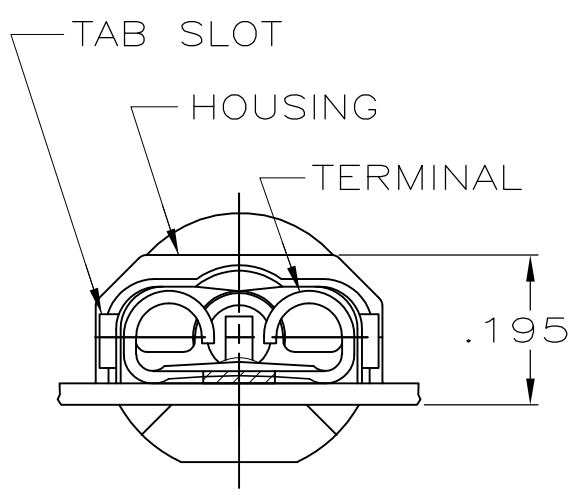


THIS DRAWING IS UNPUBLISHED. RELEASED FOR PUBLICATION  
 © COPYRIGHT - By - ALL RIGHTS RESERVED.

LOC	DIST	REVISIONS			
P	LTR	DESCRIPTION	DATE	DWN	APVD
AF	50	-	REV PER ECO-13-012021	7/29/13	MD KR



- 1 MATES WITH .032±.001x.250 TAB,PER NEMA DC
- 2 WIRE STRIP LENGTH .281
- 3 INSULATION SIZE .260 MAX DIA
- 4 CONTINUOUS STRIP ON REELS
- 5 DIMENSION DOES NOT INCLUDE TRIM BURR
- 6 .015 MAX CARRIER TRIM BURR PER SIDE IS ALLOWABLE IN THE SHADED AREA



WIRE AND RECEPTACLE } 16-14  
 SIZE IDENTIFICATION } 250  
 AMP

STANDARD	HOUSING: NYLON, COLOR-BLUE TRANSLUCENT RECEPTACLE: BRASS, TIN	3-521150-2
PACKAGING	MATERIAL & FINISH	PART NO
THIS DRAWING IS A CONTROLLED DOCUMENT.		DWN JR RUTH 12/10/97
DIMENSIONS: INCHES		CHK P FORTNEY 12/10/97
TOLERANCES UNLESS OTHERWISE SPECIFIED:		APVD - 12/10/97 J WORMAN
0 PLC ± -		PRODUCT SPEC 12/10/97 D BRATINA
1 PLC ± -		108-2043
2 PLC ± -		APPLICATION SPEC
3 PLC ± .015		114-2123
4 PLC ± -		WEIGHT -
ANGLES ± -		SIZE A3 CAGE CODE 00779 DRAWING NO C-521150 RESTRICTED TO -
MATERIAL SEE TABLE	FINISH SEE TABLE	SCALE 4:1 SHEET 1 OF 1 REV B
CUSTOMER DRAWING		



RECEPTACLE ASSY, ULTRA-FAST,  
 .250 SERIES, 16-14 AWG

单击下面可查看定价，库存，交付和生命周期等信息

[>>TE Connectivity\(泰科\)](#)