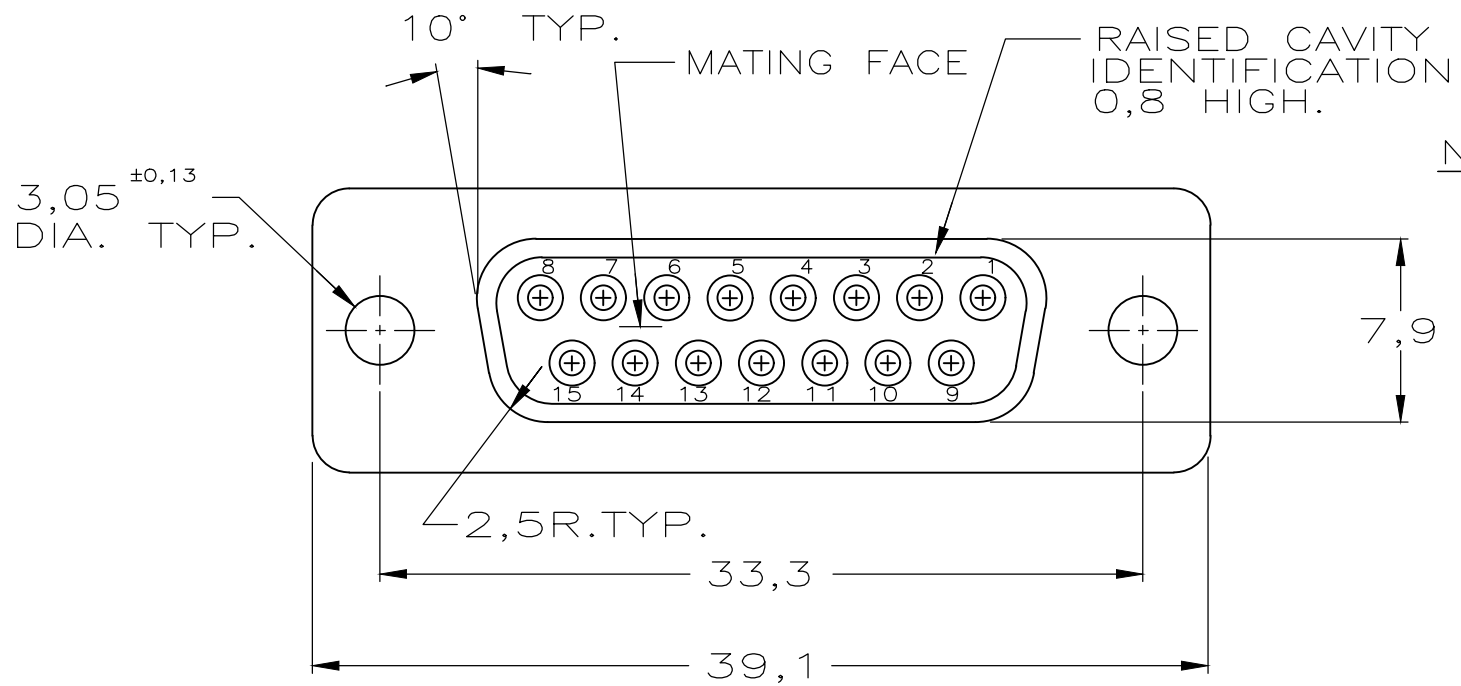
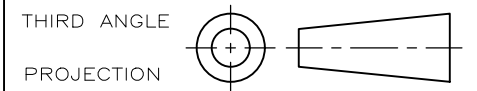
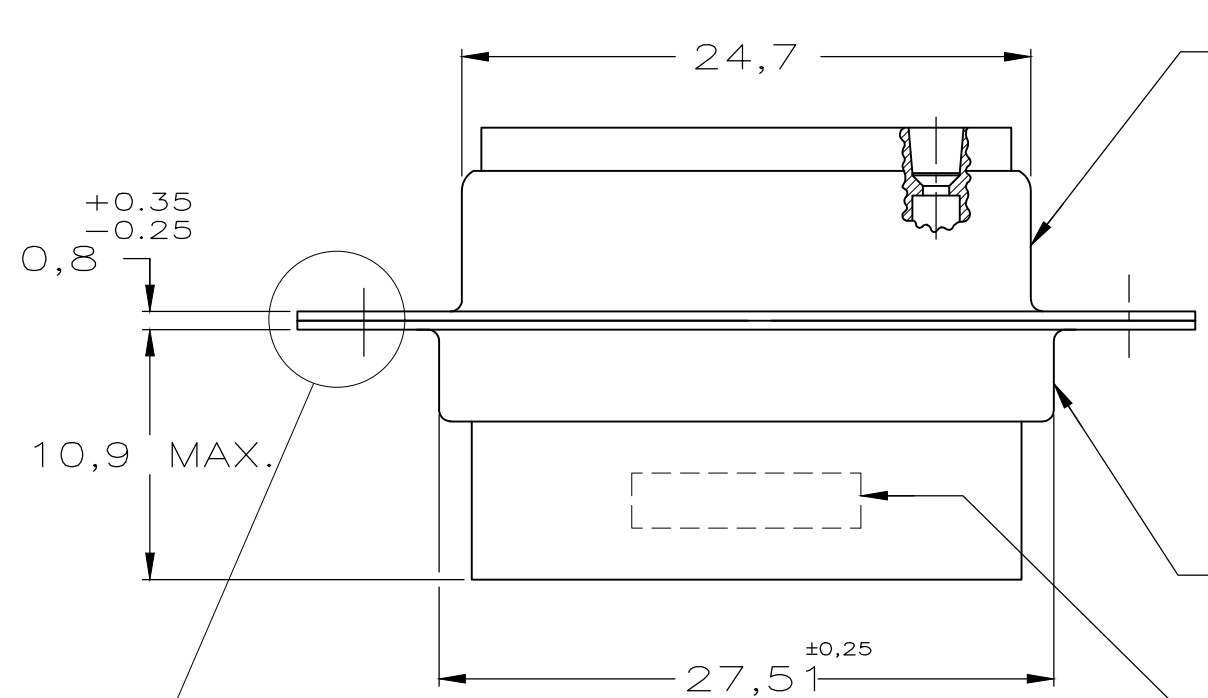


DO NOT SCALE
DIMENSIONS IN mm

METRIC



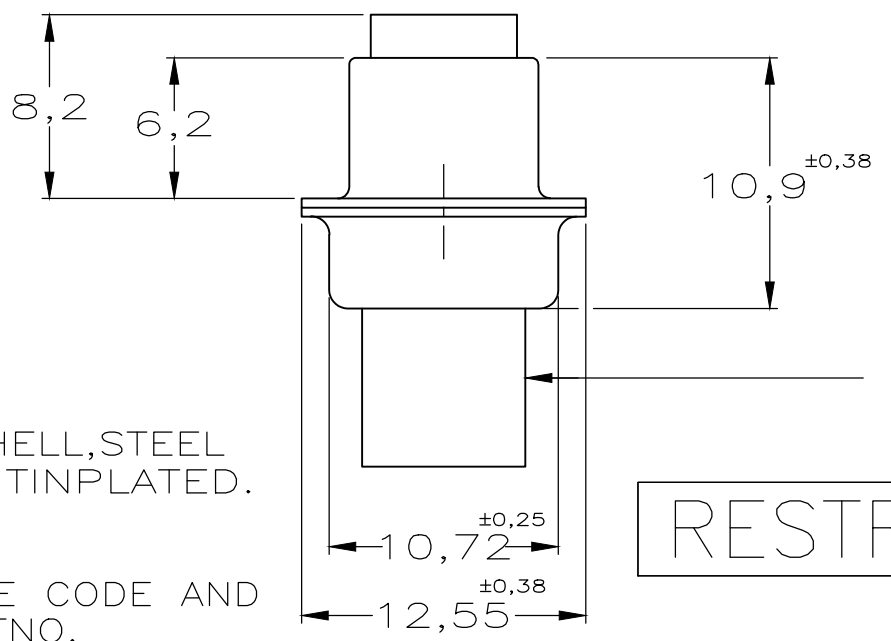
- NOTES: 1 THIS RECEPTACLE ACCEPTS SIZE 20 REC. CONTACTS.
 2 MAXIMUM WIRE INSULATION RECOMMENDED FOR USE WITH THIS RECEPTACLE IS 1,73 DIA. MAX..
 3 RETENTION TINES ARE AN INTEGRAL PART OF INSERT.
 4 FOLLOWING INSERTION/REMOVAL TOOLS ARE RECOMMENDED FOR USE WITH THESE CONNECTORS:
- | 32-28AWG/28-24AWG CONT's | 24-20AWG CONTACTS |
|---------------------------|---------------------------|
| 91285-1 INSERTION/REMOVAL | 91285-1 INSERTION/REMOVAL |
| 726363-1 INSERTION ONLY | 726363-1 INSERTION ONLY |
| | 726364-1 REMOVAL ONLY |



FRONT SHELL
STEEL, BRIGHT TIN PLATED.

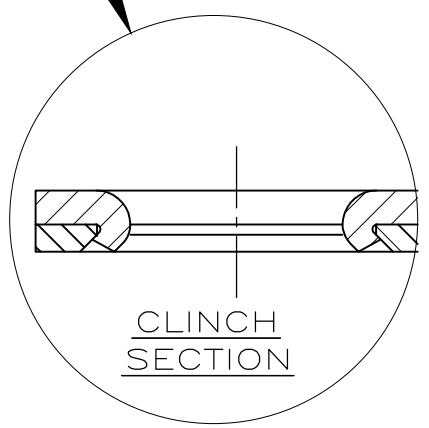
REAR SHELL, STEEL
BRIGHT TIN PLATED.

AMP, DATE CODE AND
AMP PARTNO.
INK STAMPED



INSERTS: NYLON
GLASS-FILLED
SELF-EXTINGUISHING
COLOR: BLACK

RESTRICTED TO ABB



SEE DRAWING		SEE DRAWING		216833-1	
FINISH		MATERIAL		PARTNUMBER	
TE TE CONNECTIVITY					
THIS DRAWING IS UNPUBLISHED RELEASED FOR PRODUCTION 19					
© COPYRIGHT 19 - BY AMP-HOLLAND B.V. ALL INTERNATIONAL RIGHTS RESERVED. AMP PRODUCTS MAY BE COVERED BY U.S. AND FOREIGN PATENTS AND/OR PATENTS PENDING.					
DR. P.BEIJNON	DATE 03-01-90	WIRE RANGE -	NAME HDP-20 REC. CONNECTOR, SIZE 2, (15 POSITION) -SPECIAL-	REV. DATE	
CHK. B.MOOIJ	DATE 04-01-90	INSUL. RANGE -		09	02 90
APP. L.V.SOEST	DATE 22-01-90	SIZE A3	SHEET 1 OF 1	DWG. No. 216833	REV. LTR. B

B	REVISED PER ECO-17-014522	26APR18	AP	DG
REV.	REVISION RECORD	DATE	DWN	APVD

单击下面可查看定价，库存，交付和生命周期等信息

[>>TE Connectivity\(泰科\)](#)