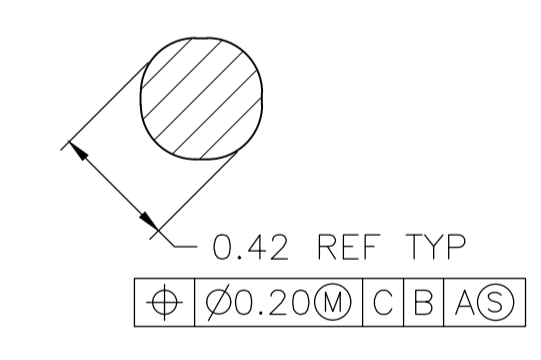
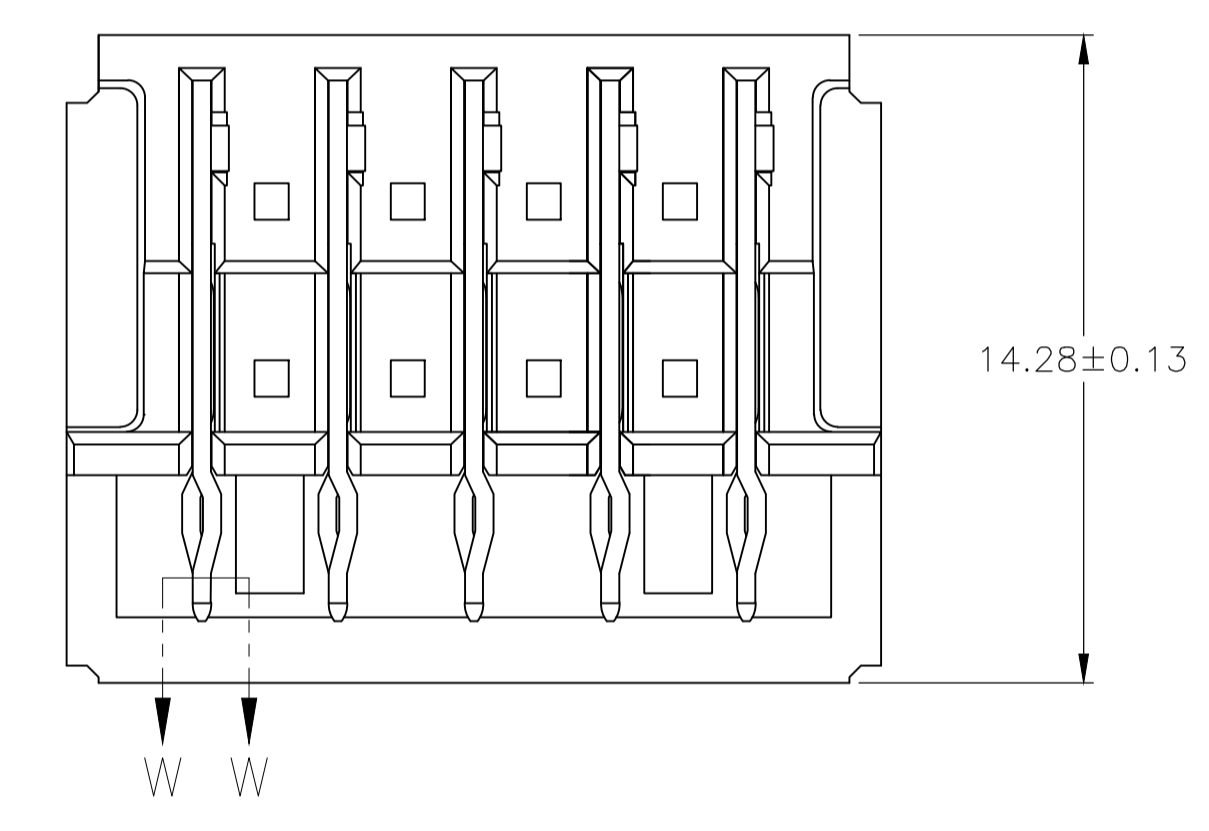
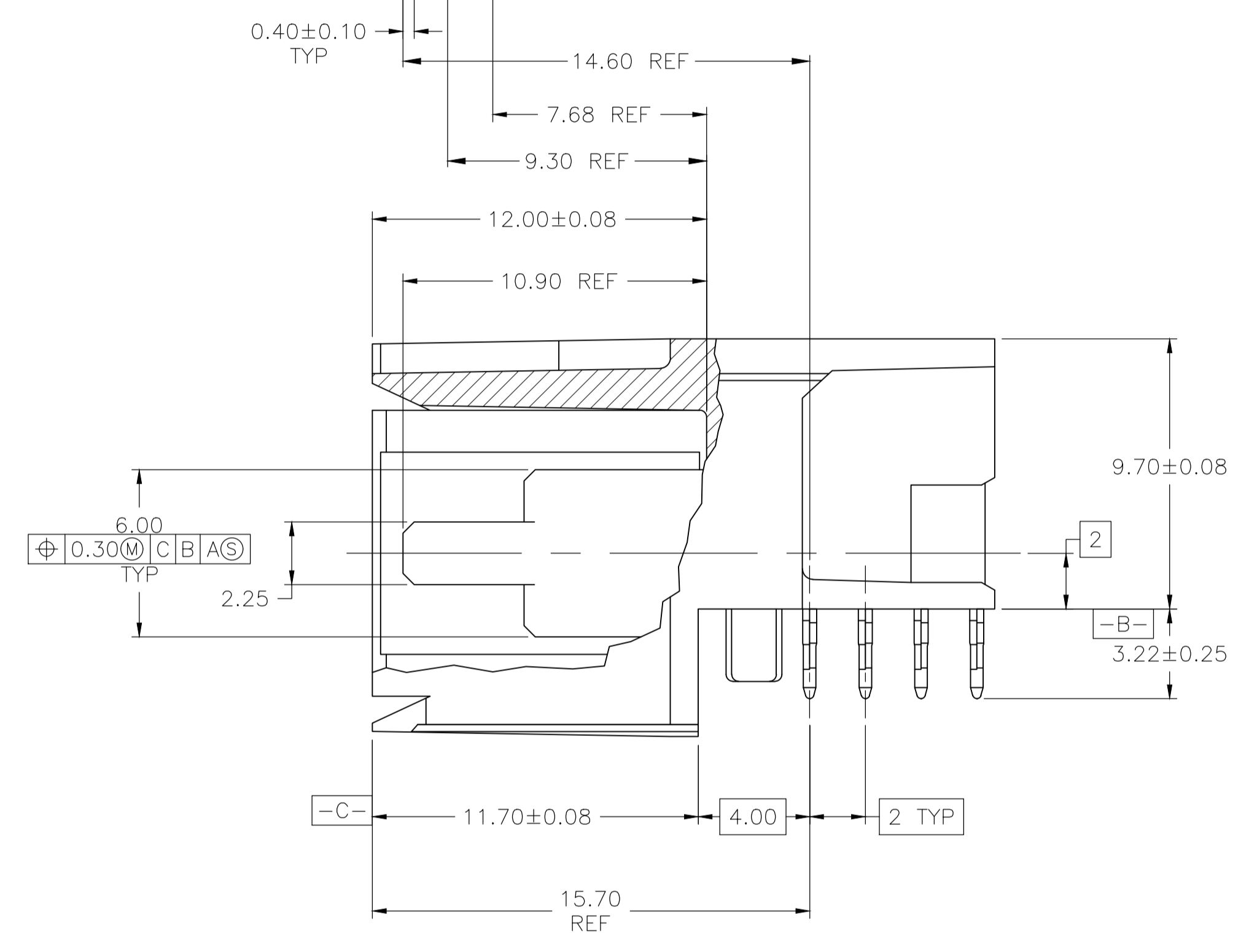
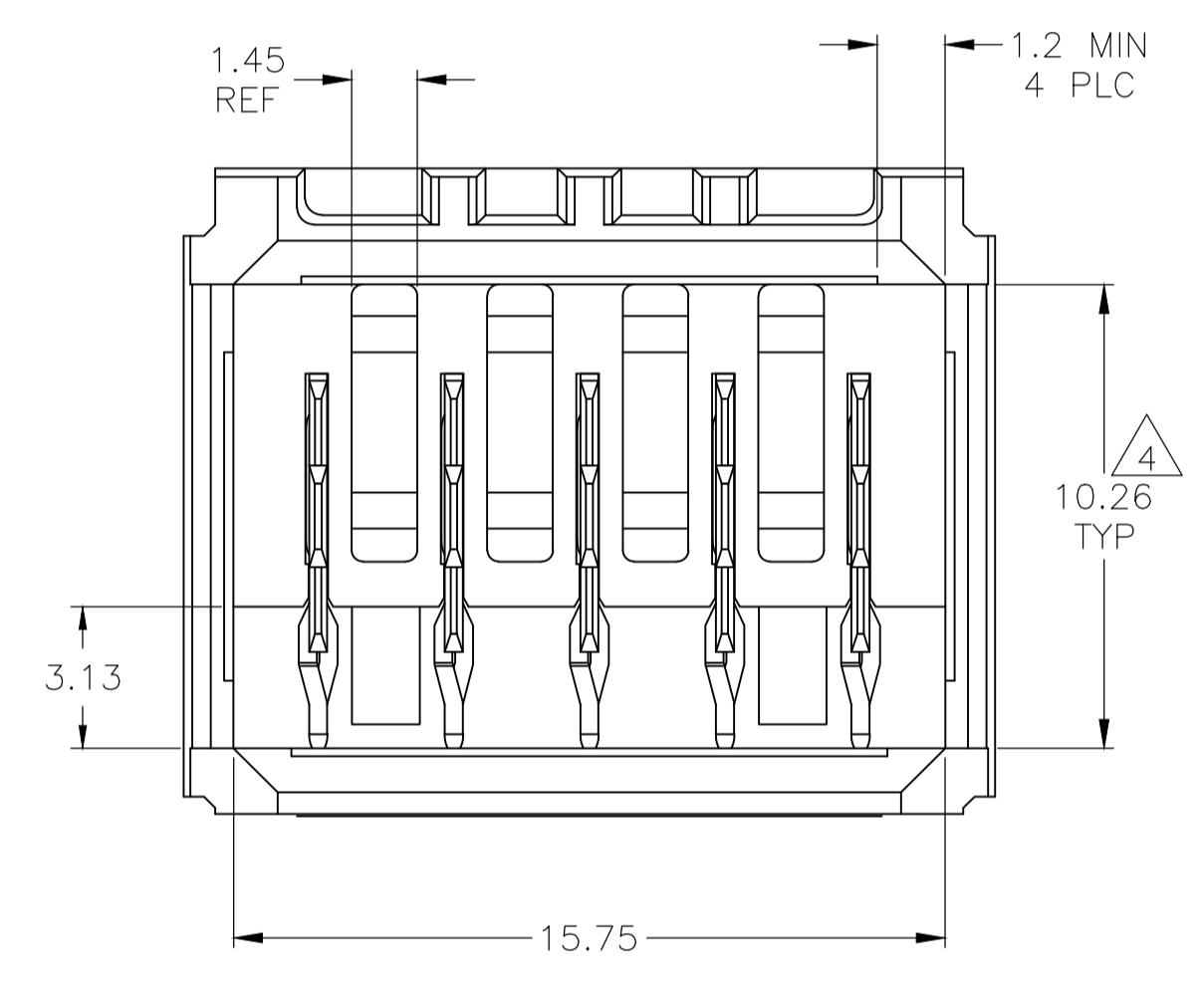
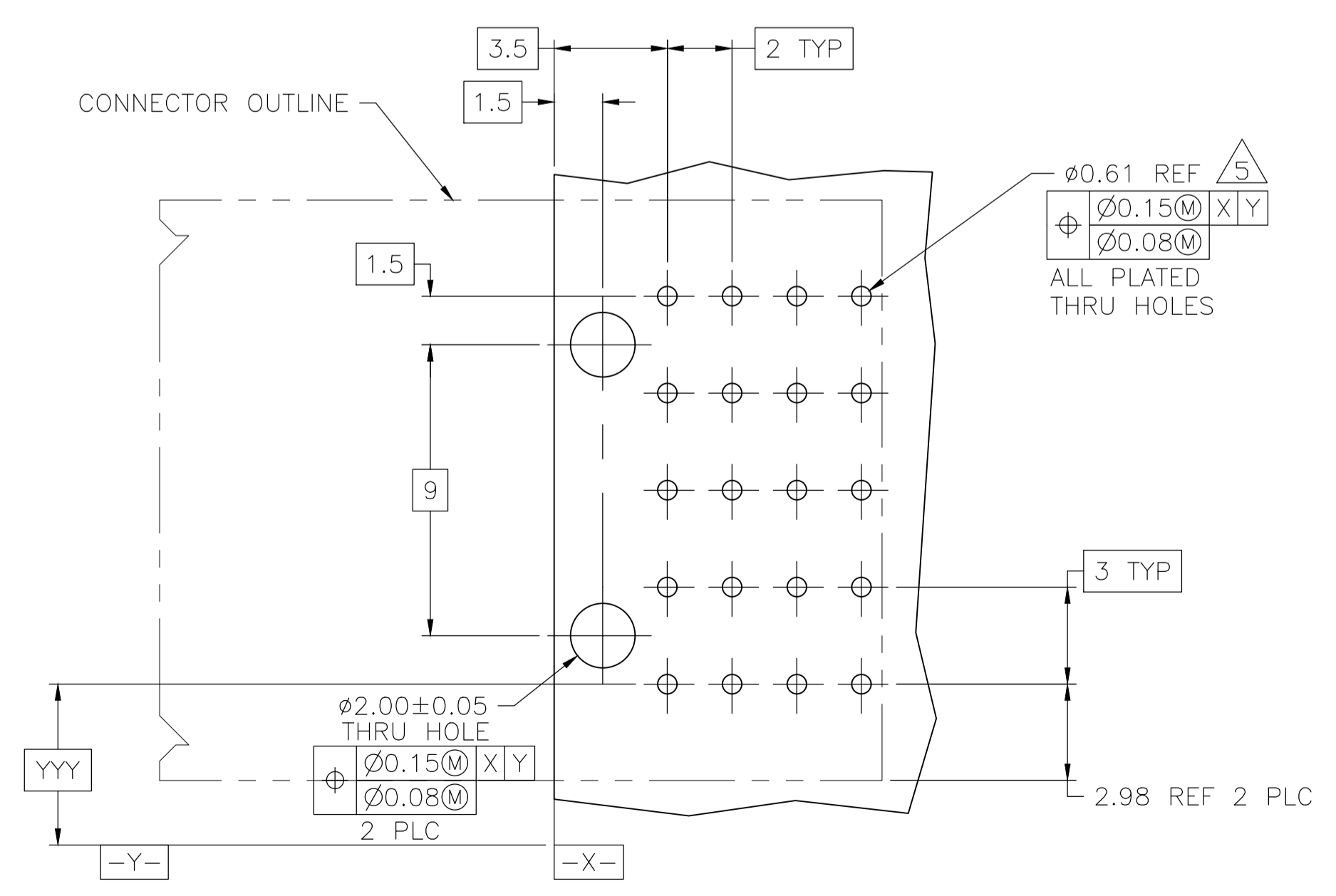


- 1 MATERIAL: HOUSING: POLYESTER, GRAY. UL 94V-0. CONTACT: HIGH CURRENT COPPER ALLOY.
- 2 FINISH: IN ACCORDANCE WITH PRODUCT SPECIFICATION 108-1651, GOLD PLATING OR EQUIVALENT PLATING ON PRODUCT CONTACT MATING AREA, AND MATTE TIN PLATING ON COMPLIANT PIN AREA, ALL OVER MATTE NICKEL UNDERPLATED. DETAIL PLEASE REFER TO PRODUCT SPECIFICATION 108-1651.
- 3 FINISH: CONTACT LUBRICATION WITH BELLCORE APPROVED LUBRICANT. TECHNICAL REFERENCE: GR-1217-CORE, ISSUE 1, NOVEMBER 1995.
- 4 10.26±0.13 DIMENSION APPLIES IN THIS AREA.
- 5 REFERENCE APPLICATION SPEC 114-1103 FOR RECOMMENDED PLATED THRU HOLE DIAMETER AND PLATING THICKNESSES.
- 6. CURRENT RATING 16A/CONTACT PER PRODUCT SPEC 108-1651.



SECTION W-W  
SCALE 40:1



RECOMMENDED PCB HOLE LAYOUT

	B, D	A, C, E	5	120955-3
A, B, D, E	C	-	5	120955-2
	A, B, C, D, E	-	5	120955-1
POSITIONS LOADED WITH 9.30 REF CONTACTS	POSITIONS LOADED WITH 7.68 REF CONTACTS	POSITIONS LOADED WITH 10.90 REF CONTACTS	NUMBER OF LOADED POSITIONS	PART NUMBER

THIS DRAWING IS A CONTROLLED DOCUMENT.		DIN B CARDO 14OCT04	<b>STE</b> TE Connectivity	
DIMENSIONS: mm		CIK R PATTERSON 14OCT04		
TOLERANCES UNLESS OTHERWISE SPECIFIED:		APVD R PATTERSON 14OCT04	NAME ASSEMBLY, RIGHT ANGLE HEADER, W/ RETENTION PEGS, UNIVERSAL POWER MODULE	
0 PLC ± -	1 PLC ± -	PRODUCT SPEC 108-1651	SIZE A1	
2 PLC ± 0.13	3 PLC ± -	APPLICATION SPEC 114-1103	DRAWING NO 00779	
4 PLC ± -	ANGLES ± -	WEIGHT -	PART NO 120955	
MATERIAL 1		FINISH 2 3		CUSTOMER DRAWING
		SCALE 6:1		SHEET 1 OF 1
				REV E3

单击下面可查看定价，库存，交付和生命周期等信息

[>>TE Connectivity\(泰科\)](#)