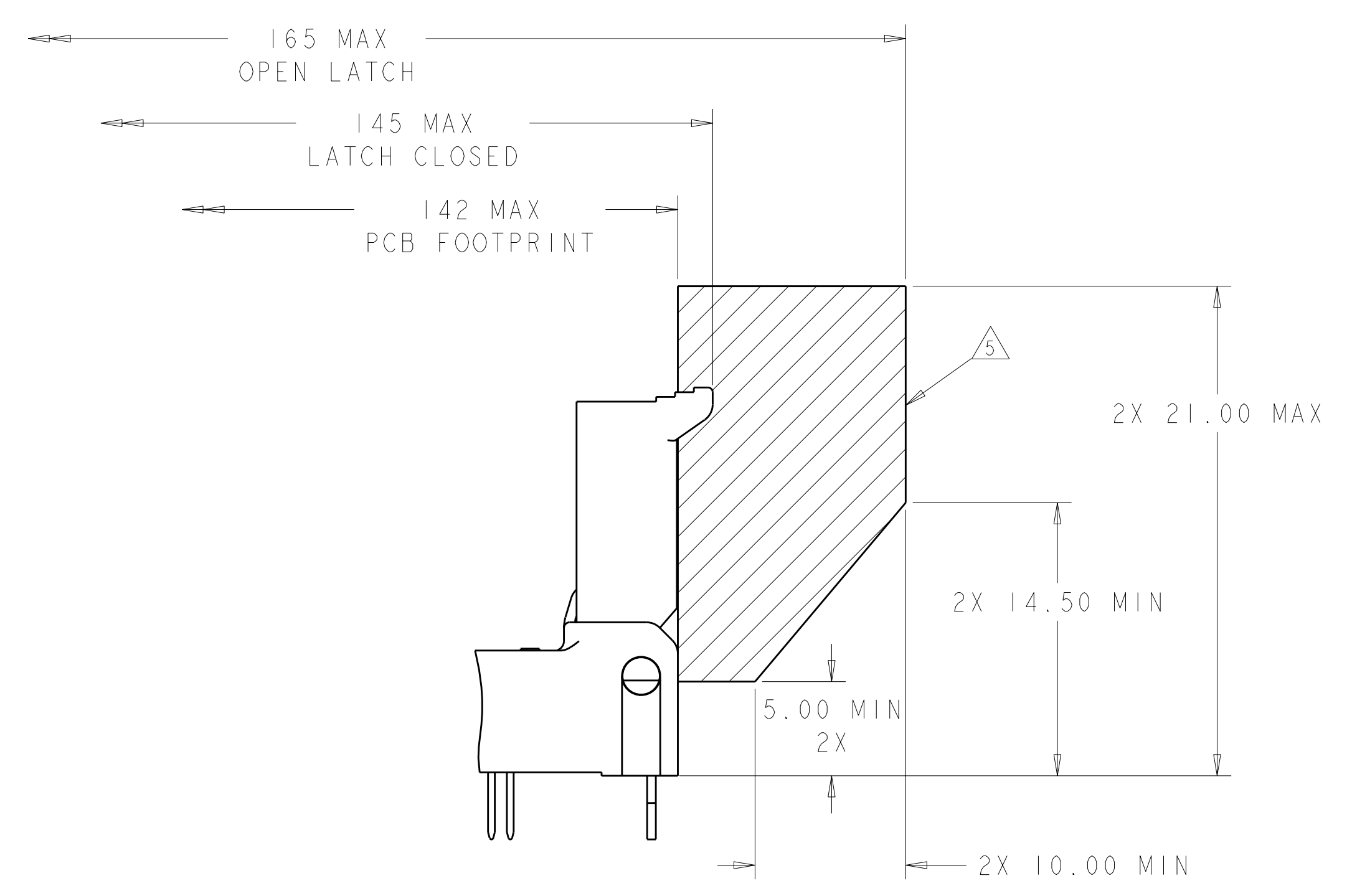
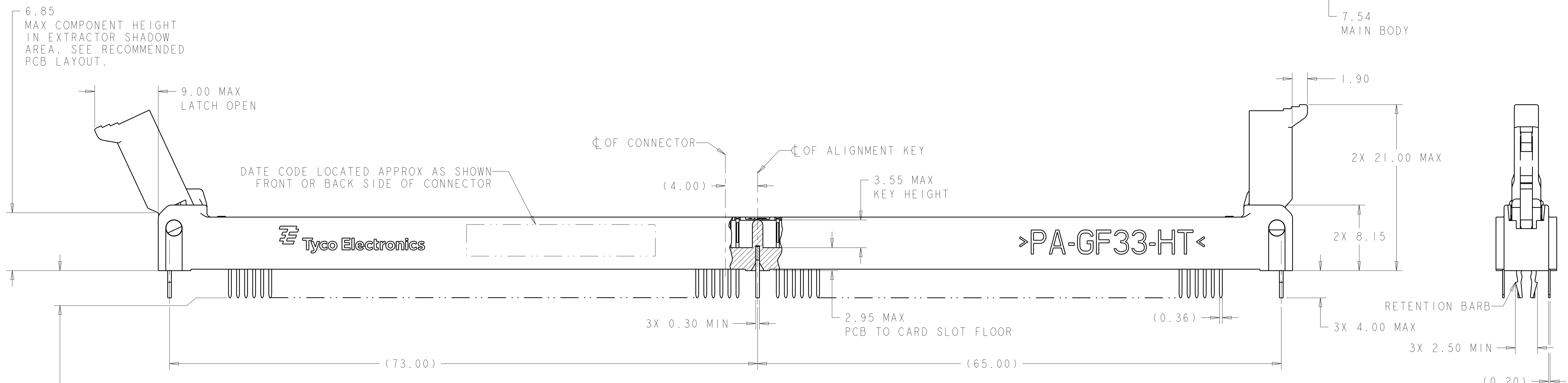
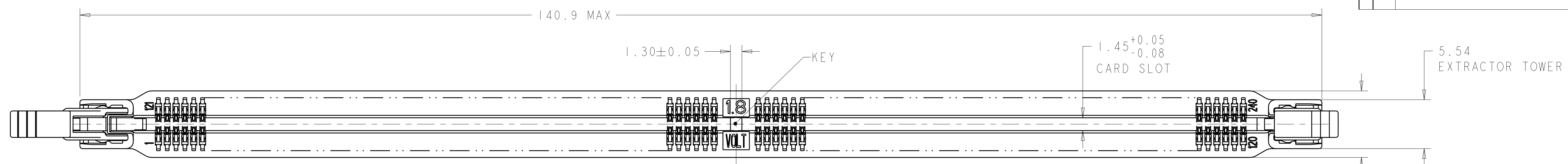


LOC	DIST	REV	DATE	BY	CHKD	APVD
GP	00	A2	09MAY2011	RK	HMR	



- 2.87±0.25 FOR 1.60 (.063") THK PCB
- 3.38±0.25 FOR 2.36 (.093") THK PCB
- 4.20±0.25 FOR 3.18 (.125") THK PCB

DATE CODE LOCATED APPROX AS SHOWN FRONT OR BACK SIDE OF CONNECTOR

Tyco Electronics

PA-GF33-HT

- △ MATERIALS:
 HOUSING: HIGH TEMPERATURE NYLON, BLACK, UL94 V-0
 EXTRACTOR: HIGH TEMPERATURE THERMOPLASTIC
 CONTACTS: COPPER ALLOY
 RETENTION BARB: STAINLESS STEEL
- △ INTERFACE FINISH:
 (1) 0.00076 MIN THK GOLD OVER 0.00127 MIN THK NICKEL
 (2) 0.00038 MIN THK GOLD OVER 0.00127 MIN THK NICKEL
 (3) 0.00008 MIN THK GOLD OVER 0.00127 MIN THK NICKEL
- △ FINISHED HOLE SIZE. 0.15 MAXIMUM ANNULAR RING.
- △ KEEP OUT ZONE.
- △ KEEP OUT AREA RESERVED FOR SOCKET EXTRACTORS, BOTH ENDS.
- △ SOLDER TAIL FINISH:
 0.00300 MIN THK MATTE TIN OVER 0.00127 MIN THK NICKEL.
- △ LED LOCATION AS APPLICABLE PER CUSTOMER.
- △ DATUM [-G-] IS CONNECTOR SIDE SURFACE OF PCB.
9. COMPLIES WITH JEDEC SPECIFICATION SO-001.
- △ CENTER HOLE CAN BE EITHER 2.45 BY 1.80 AS SHOWN OR A 2.45 DIAMETER ROUND HOLE.

CONTACT COLOR	CONTACT GOLD INTERFACE	TAIL LENGTH	PART NUMBER
NATURAL	0.00008 MIN	4.20	1888669-9
NATURAL	0.00038 MIN	3.38	1888669-8
NATURAL	0.00076 MIN	2.87	1888669-7
NATURAL	0.00038 MIN	4.20	1888669-6
NATURAL	0.00038 MIN	3.38	1888669-5
NATURAL	0.00038 MIN	2.87	1888669-4
NATURAL	0.00076 MIN	4.20	1888669-3
NATURAL	0.00076 MIN	3.38	1888669-2
NATURAL	0.00076 MIN	2.87	1888669-1
EXTRACTOR COLOR	CONTACT GOLD INTERFACE	TAIL LENGTH	PART NUMBER

THIS DRAWING IS A CONTROLLED DOCUMENT.

OWN: D. RINGLER 29SEP2006
 CHY: J. PENNYPACKER 29SEP2006
 APVD: M. ROWERS 22DEC2006

PRODUCT SPEC: 108-2111
 APPLICATION SPEC: 114-13087

WEIGHT: -
 CUSTOMER DRAWING

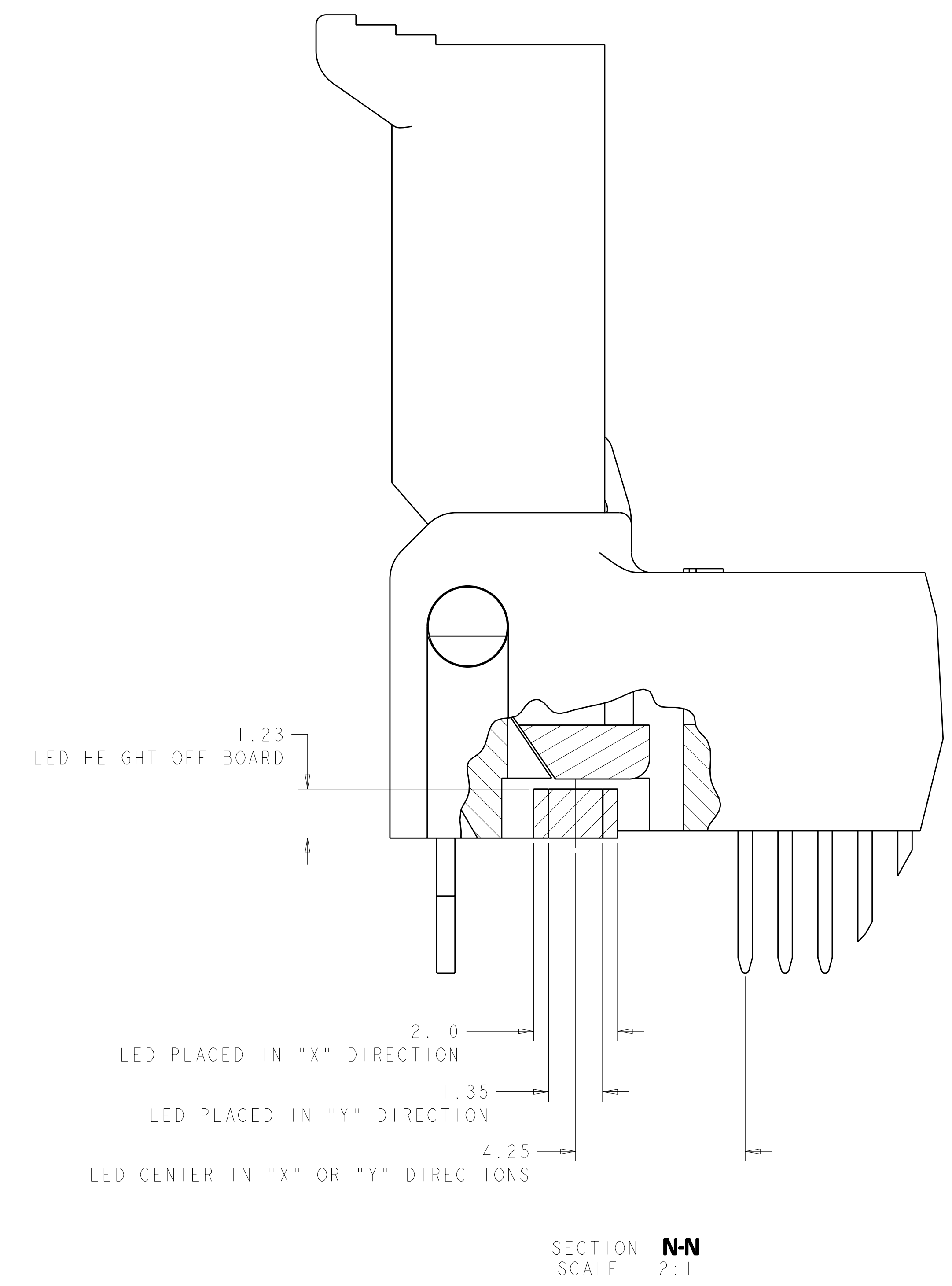
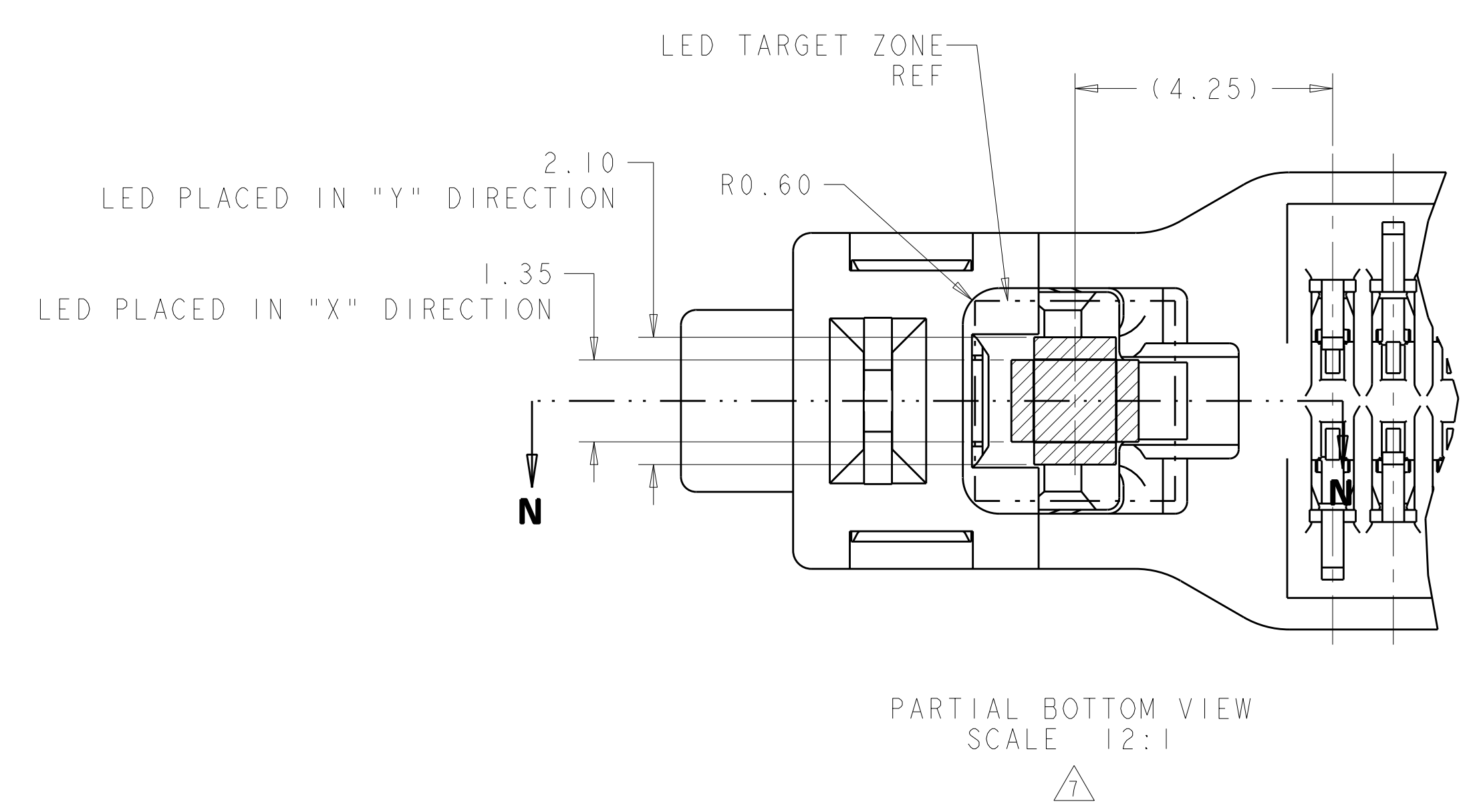
SCALE: 4:1 SHEET 1 OF 3 REV A2

STE TE Connectivity

SOCKET ASSEMBLY, DDR2 VLP DIMM, SOLDER TAIL, 240 POSITION

A100779C=1888669

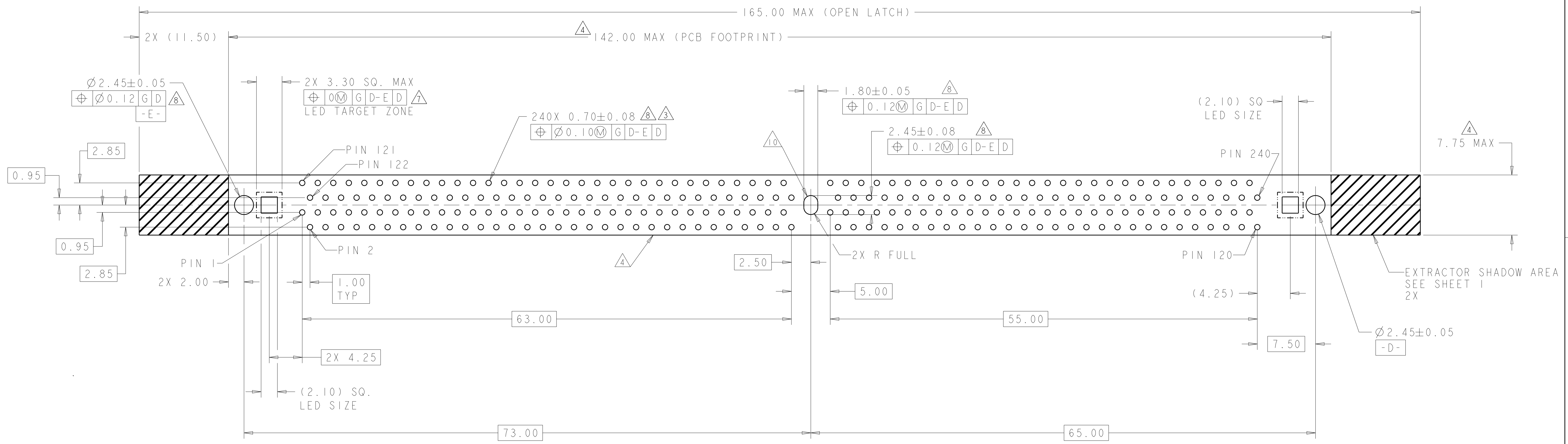
LOC	DIST	REVISIONS			
P	LTB	DESCRIPTION	DATE	DWN	APVD
GP	00	SEE SHEET 1	-	-	-



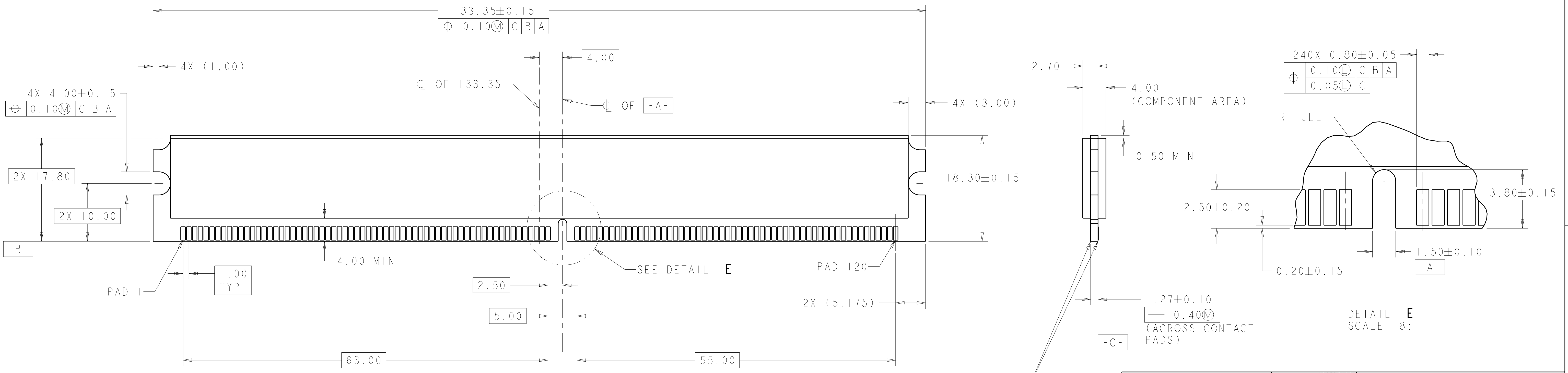
THIS DRAWING IS A CONTROLLED DOCUMENT.		DWN D. RINGLER 29SEP2006	TE Connectivity	
DIMENSIONS: mm		CHK J. PENNYPACKER 29SEP2006	NAME SOCKET ASSEMBLY, DDR2 VLP DIMM, SOLDER TAIL, 240 POSITION	
TOLERANCES UNLESS OTHERWISE SPECIFIED:		APVD M. ROWERS 22DEC2006	PRODUCT SPEC 108-2111	
9 PLC ±0.5		APPLICATION SPEC 114-13087		
3 PLC ±0.13		SIZE CAGE CODE DRAWING NO RESTRICTED TO		
5 PLC ±0.013		A100779C-1888669		
4 PLC ±0.001		WEIGHT		
ANGLES ±0.0001		CUSTOMER DRAWING		
FINISH		SCALE 4:1 SHEET 2 OF 3 REV A2		

LOC	DIST	REV	DATE	BY	APPD
GP	00				

REVISIONS		DATE	BY	APPD
1	SEE SHEET 1			



RECOMMENDED PCB LAYOUT
VIEWED FROM CONNECTOR SIDE



RECOMMENDED MODULE LAYOUT

SCALE 3:1

NOTE: REFER TO JEDEC MO-237 VARIATIONS DB, EB, FB, GB FOR COMPLETE MODULE DETAILS

0.20-0.05 X 45° OPTIONAL
MUST NOT HIT GOLD CONTACTS

THIS DRAWING IS A CONTROLLED DOCUMENT.		DWN D. RINGLER	29SEP2006	 TE Connectivity
DIMENSIONS:		CHK J. PENNYPACKER	29SEP2006	
TOLERANCES UNLESS OTHERWISE SPECIFIED:		APVD M. ROWERS	22DEC2006	NAME
mm	0 PLC ±0.5	PRODUCT SPEC		SOCKET ASSEMBLY,
	1 PLC ±0.13	APPLICATION SPEC		DDR2 VLP DIMM,
	2 PLC ±0.13	114-13087		SOLDER TAIL, 240 POSITION
	3 PLC ±0.013	114-13087		SIZE CAGE CODE DRAWING NO. RESTRICTED TO
	4 PLC ±0.001	A1100779C=1888669		
	ANGLES ±0.0001	CUSTOMER DRAWING		
MATERIAL	FINISH	SCALE 1:1		SHEET 3 OF 3
		REV A2		

单击下面可查看定价，库存，交付和生命周期等信息

[>>TE Connectivity\(泰科\)](#)