

THIS DRAWING IS UNPUBLISHED.

RELEASED FOR PUBLICATION

20

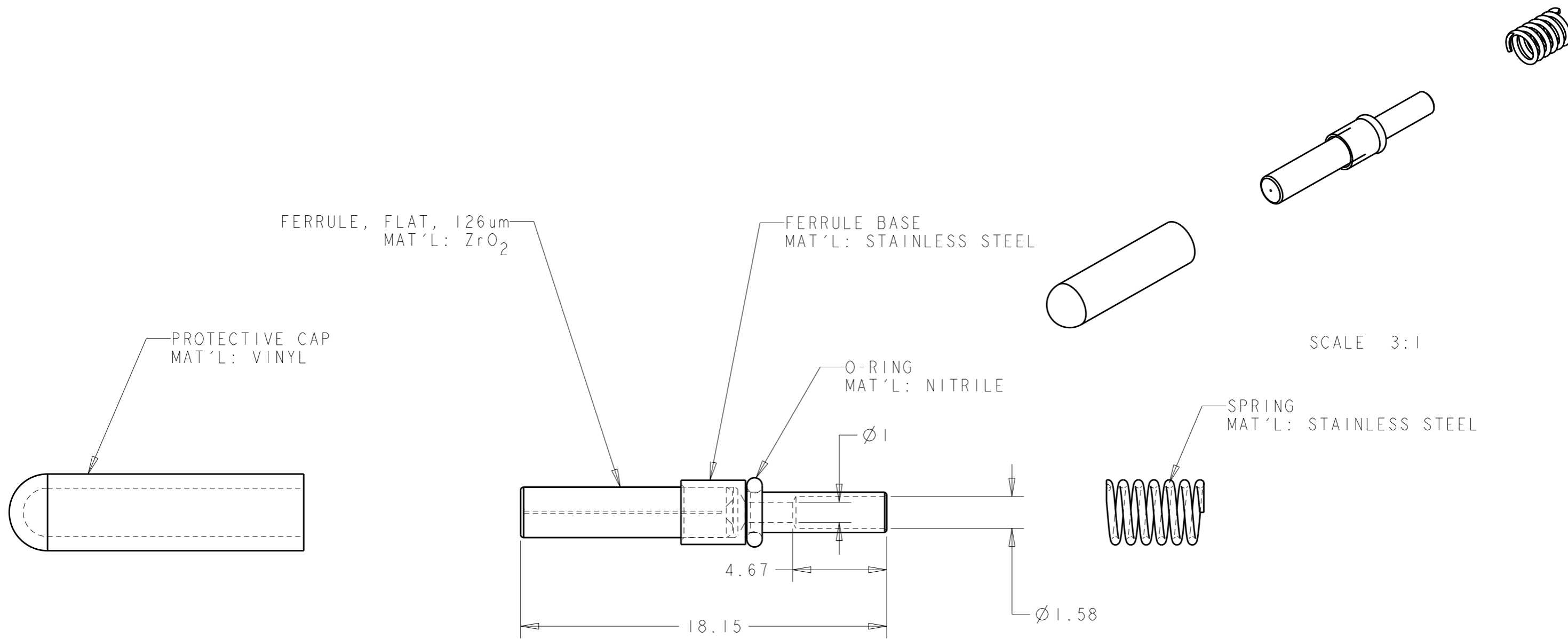
© COPYRIGHT 20 BY -

ALL RIGHTS RESERVED.

REVISIONS


P	LTR	DESCRIPTION	DATE	DWN	APVD
A		RELEASE PER 0A00-0345-04	21JUL04	KG	DW
B		ECR-15-003024	08DEC2015	KG	DW
C		ECR-17-000370	13JAN2017	KG	DW
CI		ECR-18-009303	18JUN2018	PHM	DW

1. ALL DIMENSIONS ARE FOR REFERENCE ONLY.



SCALE 3:1

1754699-1
PART NUMBER

THIS DRAWING IS A CONTROLLED DOCUMENT.		DWN K. GLATFELTER 03 JUN 2004	 TE Connectivity	
DIMENSIONS: mm		CHK D. WERTMAN 08 JUN 2004		
TOLERANCES UNLESS OTHERWISE SPECIFIED:		APVD D. WERTMAN 11 JUN 2004	NAME FERRULE KIT, SEALED, FLAT, 126um, MINI EB	
0 PLC ±- 1 PLC ±- 2 PLC ±- 3 PLC ±- 4 PLC ±- ANGLES ±-		PRODUCT SPEC -	RESTRICTED TO -	
MATERIAL AS LISTED		FINISH N/A	APPLICATION SPEC -	SIZE A3
		WEIGHT -	CAGE CODE 00779	DRAWING NO 1754699
		CUSTOMER DRAWING	SCALE 5:1	SHEET 1 OF 1
			REV CI	

单击下面可查看定价，库存，交付和生命周期等信息

[>>TE Connectivity\(泰科\)](#)