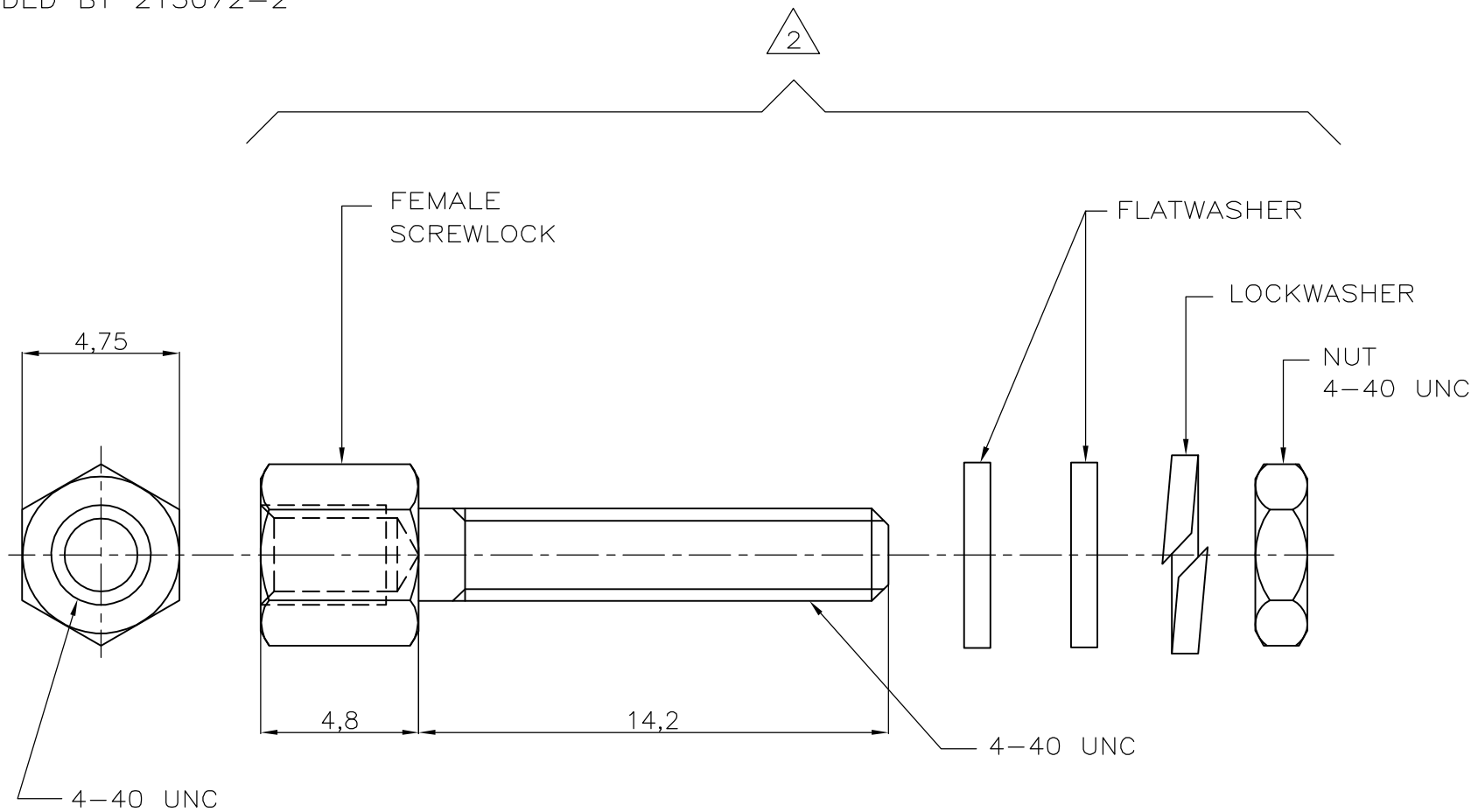


THIS DRAWING IS UNPUBLISHED. RELEASED FOR PUBLICATION
 © COPYRIGHT - BY TYCO ELECTRONICS CORPORATION. ALL RIGHTS RESERVED.

LOC	DIST	REVISIONS					
H	-	P	LTR	DESCRIPTION	DATE	DWN	APVD
		B		ECR-06-020201	06-12-06	BSV	MK

NOTES:

- 1 PARTS PACKAGED UNASSEMBLED
- 2 THIS KIT CONTAINS TWO SCREWLOCK ASSEMBLIES
- 3 BULKPACKAGE CONSISTS OF 50 KITS
PLEASE ORDER IN UNITS OF 50 KITS
- 4 FOR MOUNTING INSTRUCTIONS SEE I-042-087
- 5 215072-1 SUPERSEDED BY 215072-2



BULK PACKAGED 3	BRIGHT TINPLATED	STEEL	215072-2
BULK PACKAGED 3	ZINC YELLOW CHROMATE		5 215072-1
DESCRIPTION	FINISH	MATERIAL	PART NUMBER

THIS DRAWING IS A CONTROLLED DOCUMENT.		DWN P.D.JAGER 10APR89	Tyco Electronics Corporation s-HertogenBosch, Nederland,				
DIMENSIONS: MM		CHK - 19APR89					
TOLERANCES UNLESS OTHERWISE SPECIFIED:		APVD - 05JUN89	NAME AMPLIMITE, KIT, FEMALE SCREWLOCK ASSEMBLY 4-40 UNC				
0 PLC ± - 1 PLC ± - 2 PLC ± - 3 PLC ± - 4 PLC ± - ANGLES ± -		PRODUCT SPEC -	SIZE A3	CAGE CODE 00779	DRAWING NO C-215072	RESTRICTED TO -	
MATERIAL -	FINISH -	WEIGHT -	CUSTOMER DRAWING		SCALE NTS	SHEET 1 OF 1	REV B

单击下面可查看定价，库存，交付和生命周期等信息

[>>TE Connectivity\(泰科\)](#)