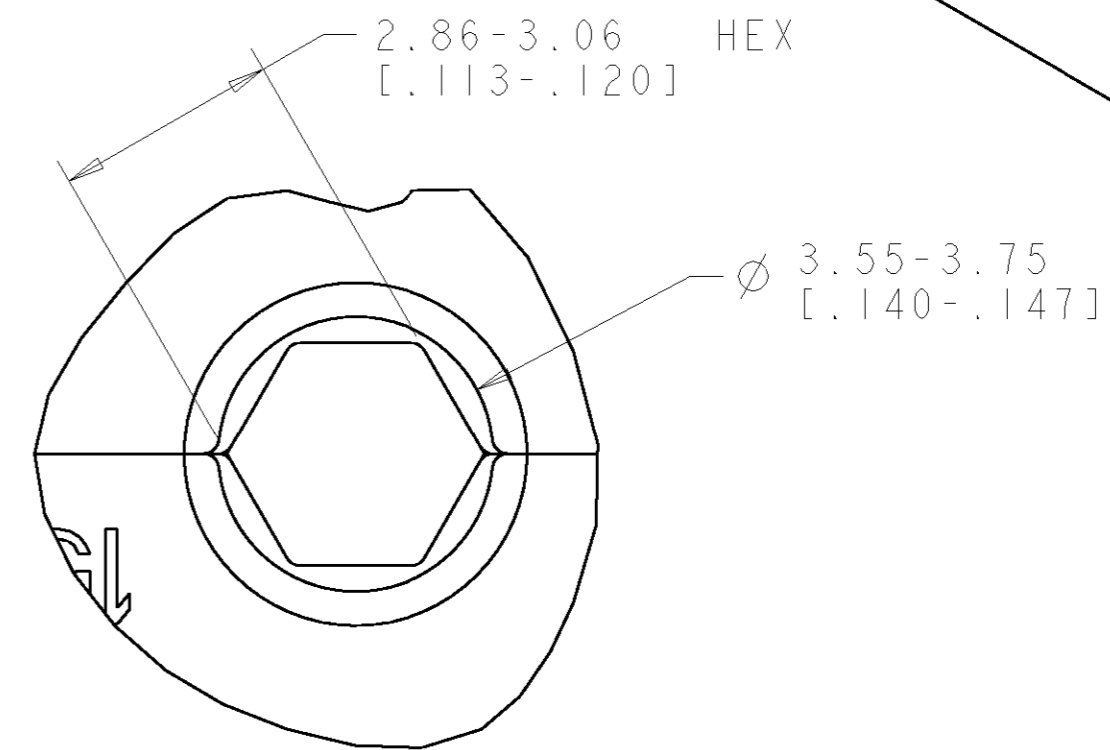
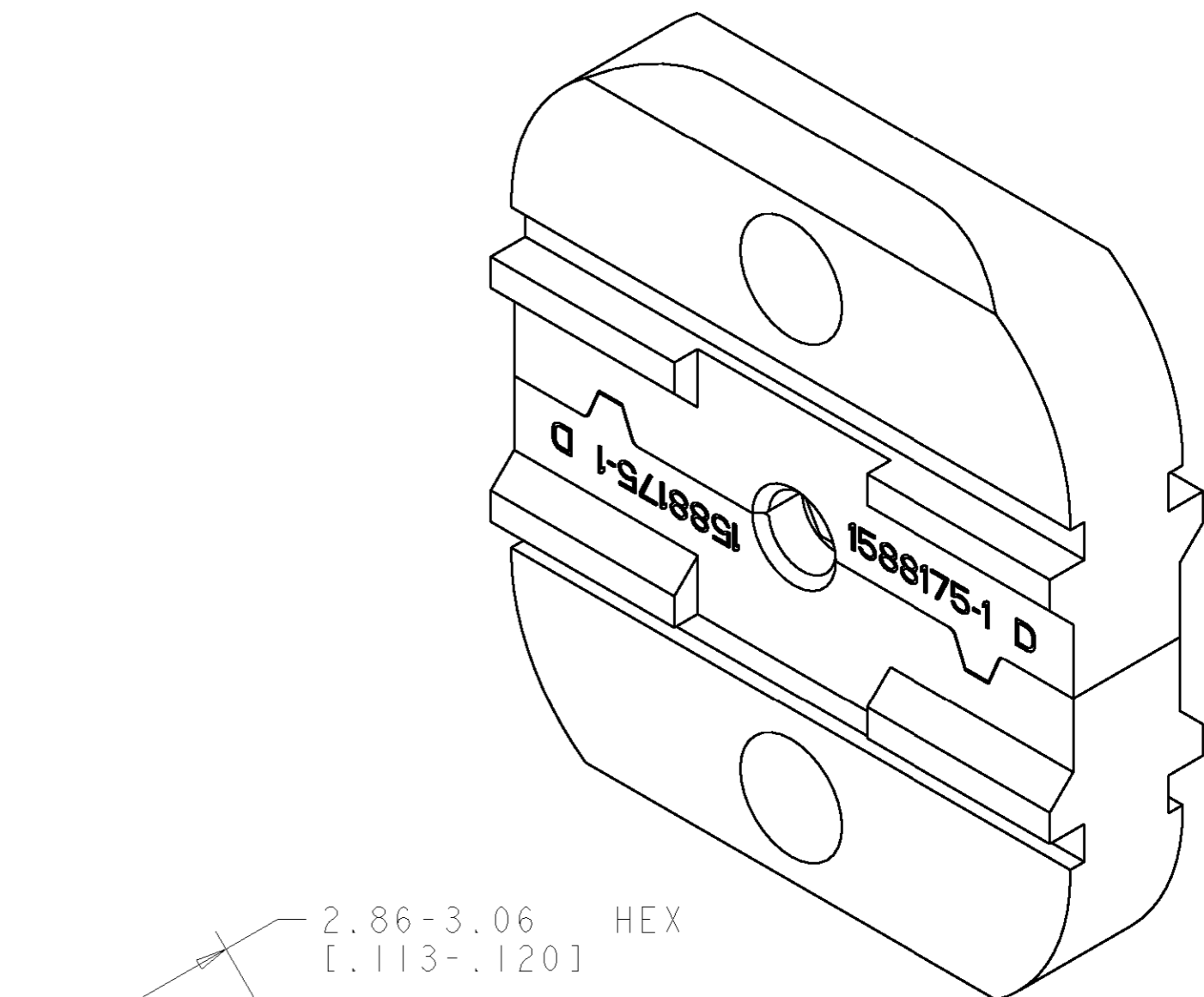
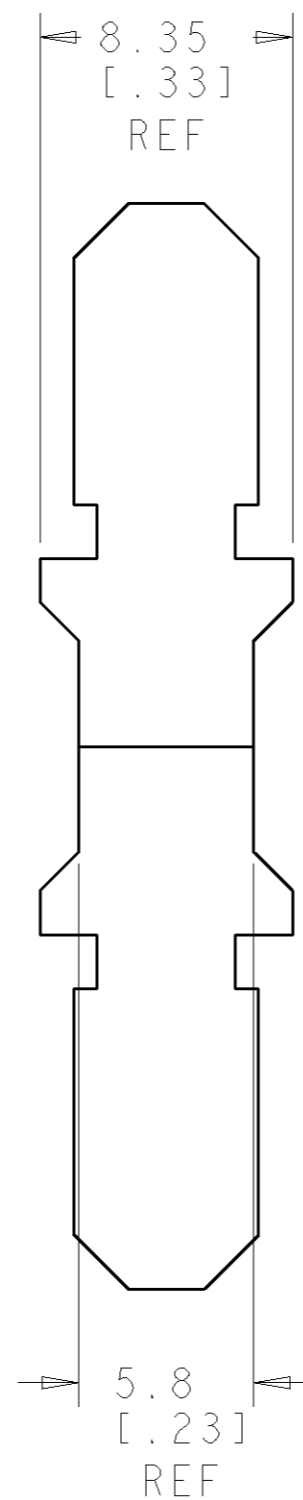
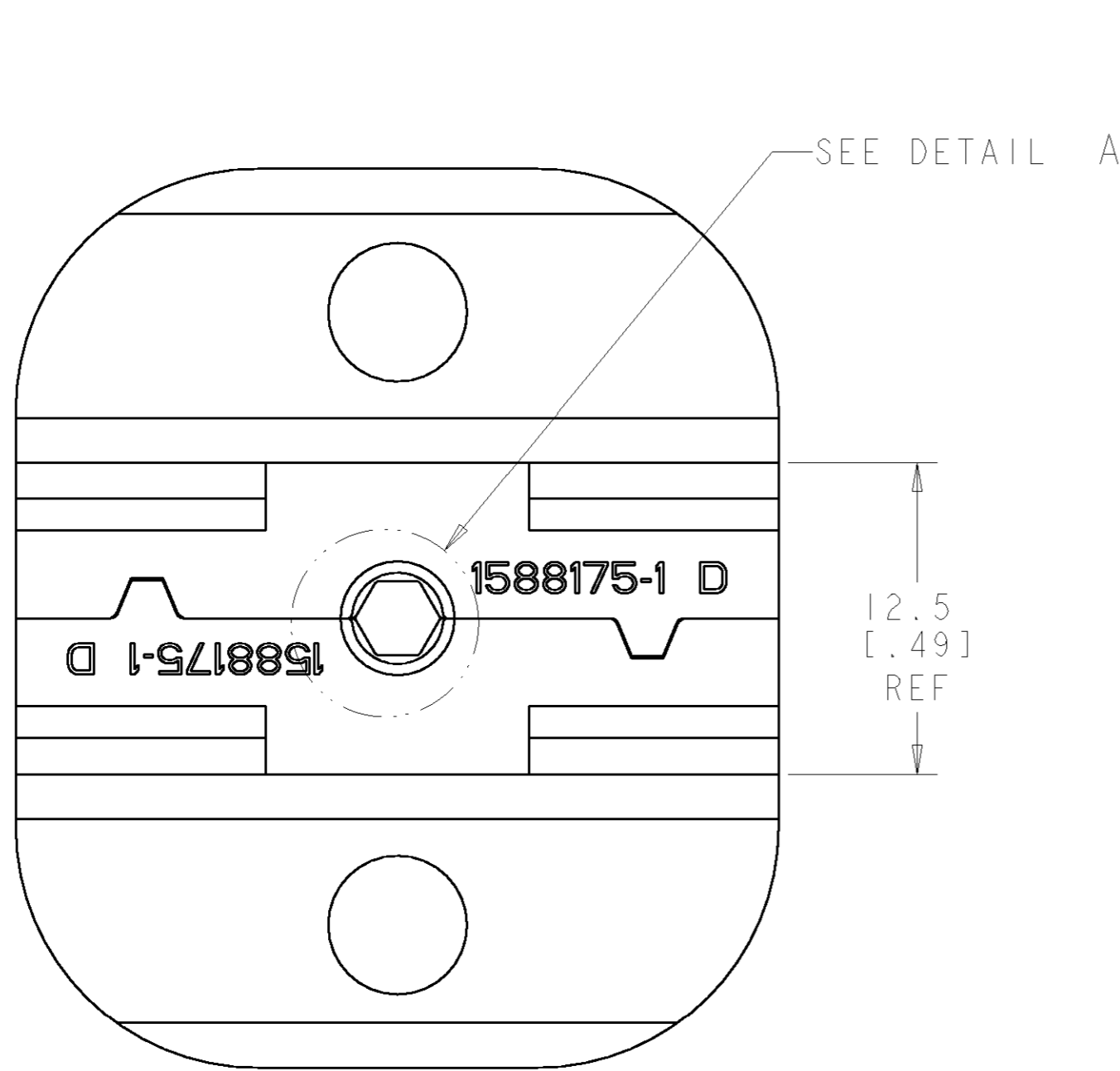


THIS DRAWING IS UNPUBLISHED. RELEASED FOR PUBLICATION 20
 © COPYRIGHT 20 BY TYCO ELECTRONICS CORPORATION. ALL RIGHTS RESERVED.

LOC	DIST	REVISIONS					
CE	00	P	LTR	DESCRIPTION	DATE	DWN	APVD
		A		REV PER 0A00-0496-01	06DEC01	DDE	MB
		B		REL PER EC 0A00-0075-03	18FEB03	LGE	SM
		D		REVISE PER 0A00-0503-04	27SEP2004	BB	CB

1. DIMENSIONS TO BE INSPECTED WITH DIE HALVES FULLY MATED.



DETAIL A
SCALE 10:1

1588175-1
PART NO

<small>THIS DRAWING IS A CONTROLLED DOCUMENT FOR TYCO ELECTRONICS CORPORATION. IT IS SUBJECT TO CHANGE AND THE CONTROLLING ENGINEERING ORGANIZATION SHOULD BE CONTACTED FOR THE LATEST REVISION.</small>		DWN D. ERDMAN 29NOV2001 CHK M. BURKHOLDER 29NOV2001 APVD S. BUCHTER 29NOV2001	tyco Electronics Tyco Electronics Harrisburg, PA 17105-3608
DIMENSIONS: mm [INCHES]	TOLERANCES UNLESS OTHERWISE SPECIFIED: 0 PLC ± 1 PLC ± 2 PLC ± 3 PLC ± 4 PLC ± ANGLES ± FINISH	PRODUCT SPEC - APPLICATION SPEC - WEIGHT -	NAME DIESET, LC AND AMP SC/FC TYPE, 1.6mm - 2.4mm CABLE SIZE A2 CAGE CODE 00779 DRAWING NO C-1588175 RESTRICTED TO -
MATERIAL -		CUSTOMER DRAWING	SCALE 4:1 SHEET 1 OF 1 REV D

单击下面可查看定价，库存，交付和生命周期等信息

[>>TE Connectivity\(泰科\)](#)