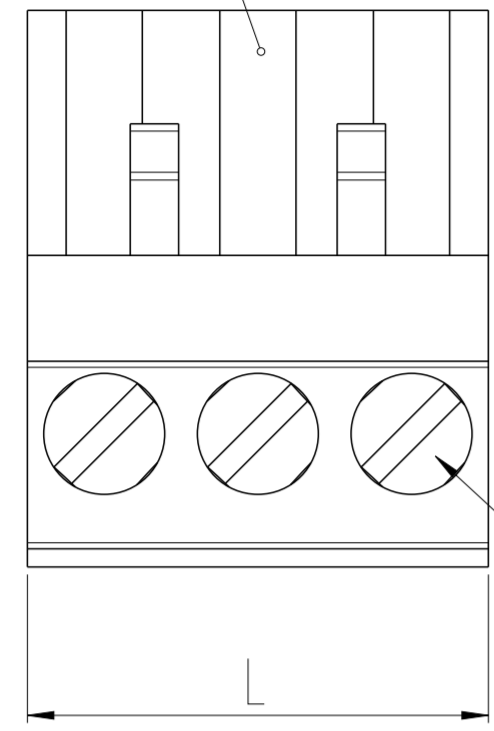


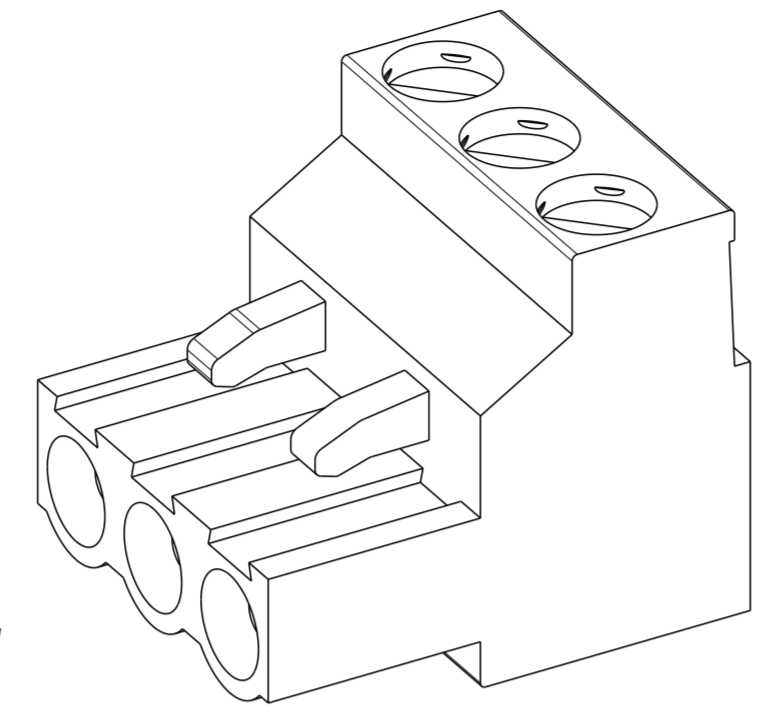
THIS DRAWING IS UNPUBLISHED. RELEASED FOR PUBLICATION 20
 © COPYRIGHT 20 BY - ALL RIGHTS RESERVED.

REVISIONS					
P	LTR	DESCRIPTION	DATE	DWN	APVD
D8		PN 5-2 AND 5-6 RELEASED FOR PRODUCTION	07DEC2018	RK	PS
D9		PART OBSOLETE	28AUG2020	DV	PS

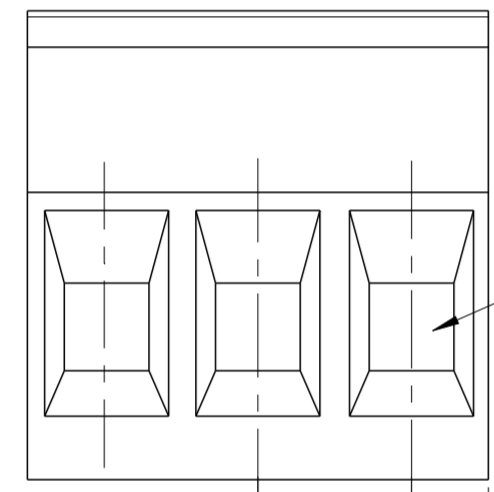
POLARIZATION KEY SLOT



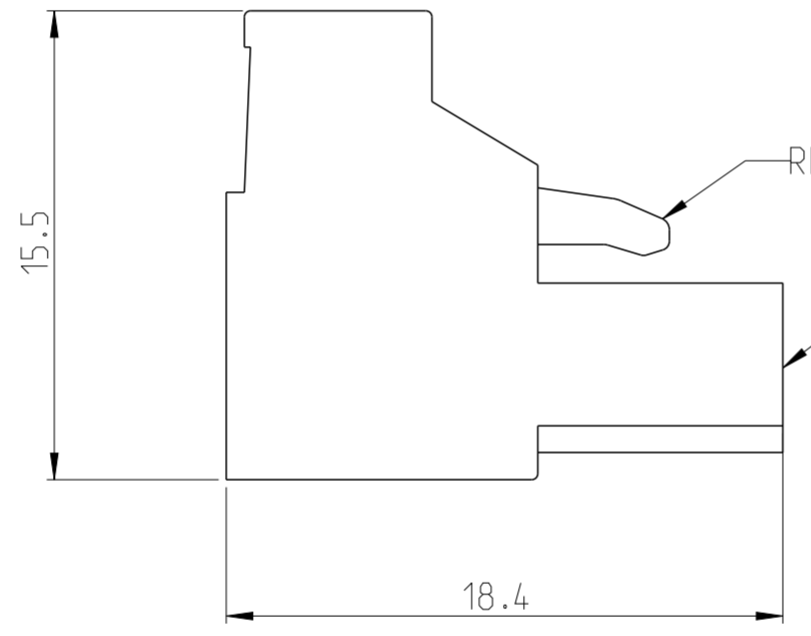
CLAMPING SCREW



1546108-3 AS SHOWN



WIRE ENTRY



5.08±0.08 TYP
 2.54 REF 2 PLC

10	OBSOLETE	COLOR	MARKING STYLE	CONTACT FINISH	L	NO OF POSN	PART NUMBER
		BLACK	DETAIL N	TIN	30.48±0.20	6	6-1546108-9
		GREEN	DETAIL M	TIN	15.24±0.15	3	6-1546108-8
		ORANGE	DETAIL M	TIN	15.24±0.15	3	6-1546108-7
		BLACK	DETAIL M	TIN	15.24±0.15	3	6-1546108-6
		BLACK	DETAIL N	TIN	25.40±0.20	5	6-1546108-5
		GREEN	DETAIL N	TIN	15.24±0.15	3	6-1546108-4
		ORANGE	DETAIL N	TIN	15.24±0.15	3	6-1546108-3
		BLACK	DETAIL N	TIN	15.24±0.15	3	6-1546108-2
		GRAY	DETAIL H	TIN	55.88	11	5-1546108-1
		GRAY	DETAIL H	TIN	45.72	9	5-1546108-9
		GRAY	DETAIL H	TIN	30.48±0.20	6	5-1546108-6
		GRAY	DETAIL H	TIN	20.32±0.15	4	5-1546108-4
		GRAY	DETAIL H	TIN	15.24±0.15	3	5-1546108-3
		GRAY	DETAIL H	TIN	10.16±0.15	2	5-1546108-2
		GRAY	DETAIL H	TIN	60.96	12	4-1546108-7
		GRAY	-	TIN	15.24±0.15	3	4-1546108-6
		GRAY	DETAIL K	TIN	40.64	8	4-1546108-5
		GRAY	DETAIL H	TIN	40.64	8	4-1546108-4
		GRAY	DETAIL H	TIN	96.52±0.35	19	4-1546108-3
		GRAY	-	TIN	60.96±0.20	12	4-1546108-2
		GRAY	-	GOLD	30.48±0.20	6	3-1546108-6
		GRAY	-	GOLD	20.32±0.15	4	3-1546108-4
		GRAY	-	GOLD	15.24±0.15	3	3-1546108-3
		GRAY	-	TIN	127.00±0.35	25	2-1546108-5
		GRAY	-	TIN	121.92±0.35	24	2-1546108-4
		GRAY	-	TIN	116.84±0.35	23	2-1546108-3
		GRAY	-	TIN	111.76±0.35	22	2-1546108-2
		GRAY	-	TIN	106.68±0.35	21	2-1546108-1
		GRAY	-	TIN	101.60±0.35	20	2-1546108-0
		GRAY	-	TIN	96.52±0.35	19	1-1546108-9
		GRAY	-	TIN	91.44±0.30	18	1-1546108-8
		GRAY	-	TIN	86.36±0.30	17	1-1546108-7
		GRAY	-	TIN	81.28±0.30	16	1-1546108-6
		GRAY	-	TIN	76.20±0.30	15	1-1546108-5
		GRAY	-	TIN	71.12	14	1-1546108-4
		GRAY	-	TIN	66.04	13	1-1546108-3
		GRAY	-	TIN	60.96	12	1-1546108-2
		GRAY	-	TIN	55.88	11	1-1546108-1
		GRAY	-	TIN	50.80	10	1-1546108-0
		GRAY	-	TIN	45.72	9	1546108-9
		GRAY	-	TIN	40.64	8	1546108-8
		GRAY	-	TIN	35.56±0.20	7	1546108-7
		GRAY	-	TIN	30.48±0.20	6	1546108-6
		GRAY	-	TIN	25.40±0.20	5	1546108-5
		GRAY	-	TIN	20.32±0.15	4	1546108-4
		GRAY	-	TIN	15.24±0.15	3	1546108-3
		GRAY	-	TIN	10.16±0.15	2	1546108-2

THIS DRAWING IS A CONTROLLED DOCUMENT.

DWN S. WELDON 11SEP2002
 CHK C. RICHARD 11SEP2002
 APVD C. RICHARD 11SEP2002

TE Connectivity

NAME: TERMINAL BLOCK, PLUG, STACKING, 5.08mm PITCH

SIZE: A2 CAGE CODE: 100779 DRAWING NO: C-1546108 RESTRICTED TO: -

SCALE: 4:1 SHEET: 1 OF 2 REV: D9

APPLICABLE SPEC: -

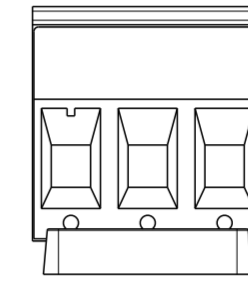
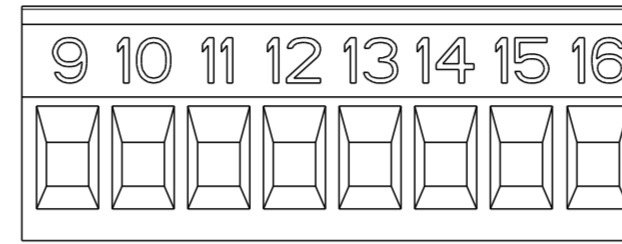
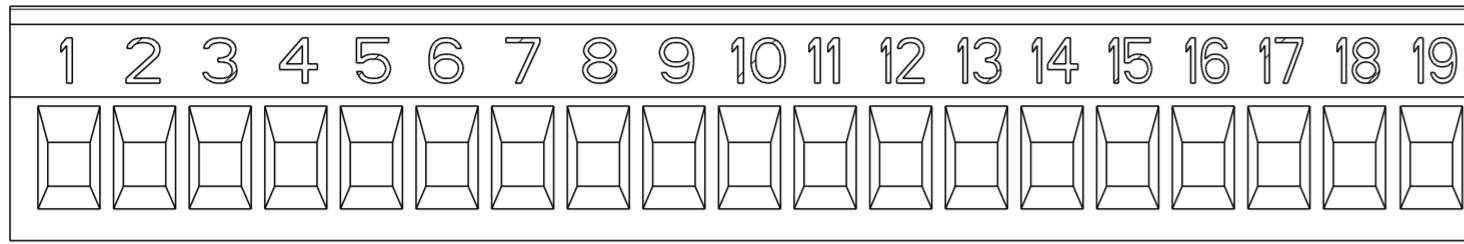
WEIGHT: -

CUSTOMER DRAWING

DIMENSIONS:	TOLERANCES UNLESS OTHERWISE SPECIFIED:
mm	0 PLC ±0.3
	1 PLC ±0.25
	2 PLC ±
	3 PLC ±
	4 PLC ±
	ANGLES ±2°
MATERIAL: SEE NOTES	FINISH: SEE NOTES

THIS DRAWING IS UNPUBLISHED. RELEASED FOR PUBLICATION 20
 © COPYRIGHT 20 BY - ALL RIGHTS RESERVED.

REVISIONS					
P	LTR	DESCRIPTION	DATE	DWN	APVD
-	-	SEE SHEET 1	-	-	-



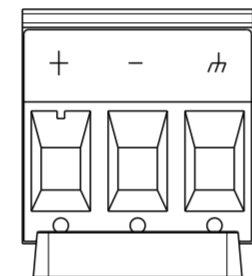
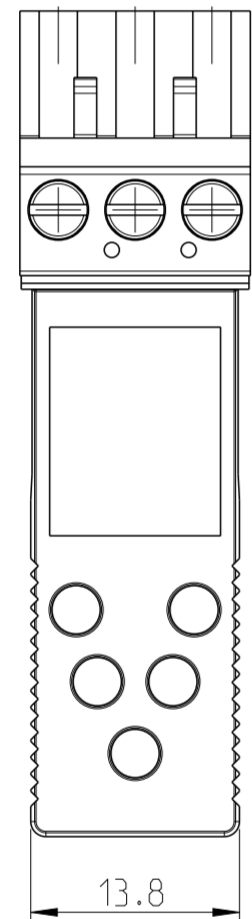
DETAIL H
 SCALE 2:1
 (PN 4-1546108-3, 4-1546108-4, 4-1546108-6, 4-1546108-7,
 5-1546108-2, 5-1546108-3, 5-1546108-4, 5-1546108-6, 5-1546108-9)

DETAIL K
 SCALE 2:1
 (PN 4-1546108-5)

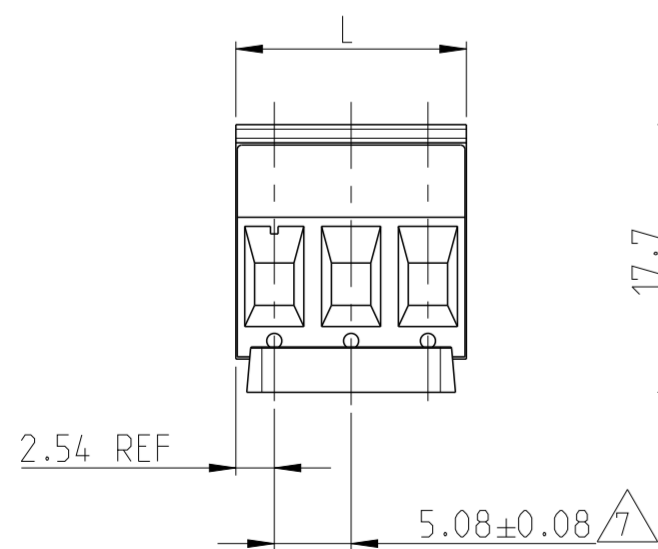
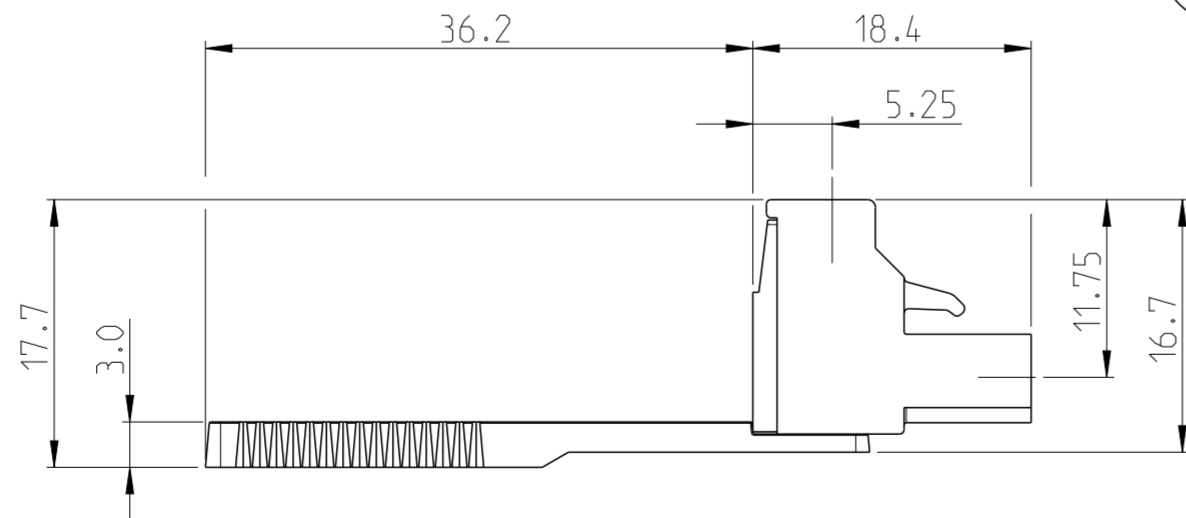
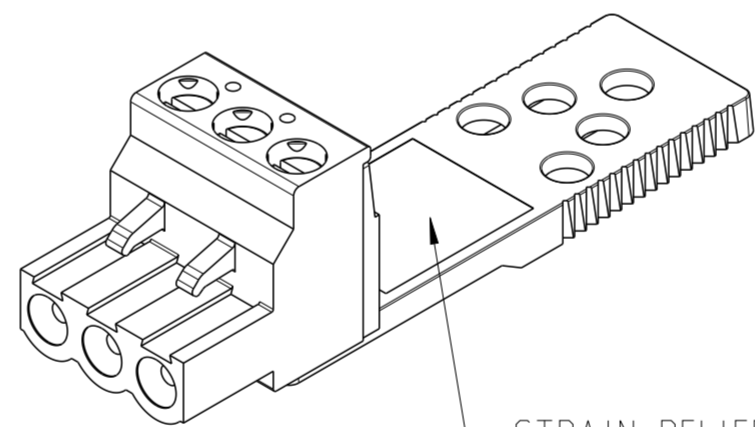
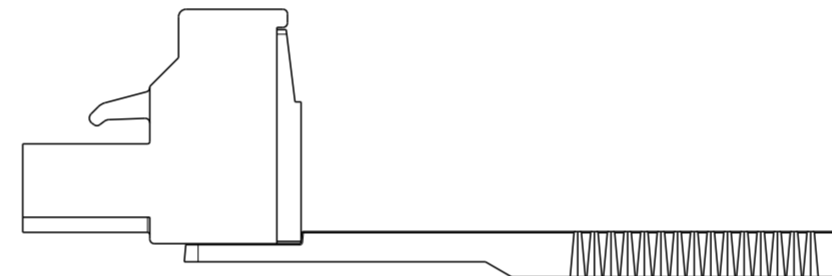
DETAIL N
 SCALE 2:1
 (PN 6-1546108-3, 6-1546108-4, 6-1546108-5, 6-1546108-9)

NOTES:

- MATERIALS AND FINISH:
 HOUSING: PA 6-6, UL 94-V0.
 CLAMP: BRASS, NICKEL PLATED.
 CONTACT SPRING: PHOSPHOR BRONZE, FINISH: SEE TABLE.
 CLAMPING SCREW: M3, BRASS, NICKEL PLATED.
- MECHANICAL
 WIRE STRIPPING LENGTH : 6.0-7.5 mm
 RECOMMENDED TIGHTENING TORQUE FOR SCREW : 0.5 Nm.
- ELECTRICAL
 WIRE RANGE : 12-30 AWG
 MAX. VOLTAGE : 300 V
 MAX CURRENT : 15 A
 CONTACT RESISTANCE : <15 m Ohm
 INSULATION RESISTANCE : >1000 M Ohm (500V DC)
- END-TO-END STACKABLE WITHOUT LOSS OF CENTERLINE SPACING.
- RECOGNIZED UNDER THE COMPONENT PROGRAM OF UNDERWRITERS LABORATORIES INC. FILE NO E60677.
- OPERATING TEMPERATURE RANGE: -40°C TO +105°C
- NOT CUMULATIVE TOLERANCE
- INK MARKING: BLACK COLOR.
 NUMERICAL SEQUENCE FROM LEFT TO RIGHT.
- WITHOUT RETENTION LATCHES.
- WITH STRAIN RELIEF



DETAIL M
 SCALE 2:1
 (PN 6-1546108-6, 6-1546108-7, 6-1546108-8)



6-1546108-2
 SCALE 2:1

THIS DRAWING IS A CONTROLLED DOCUMENT.		DWN S. WELDON 11SEP2002	TE Connectivity		
DIMENSIONS: mm		CHK C. RICHARD 11SEP2002			
TOLERANCES UNLESS OTHERWISE SPECIFIED:		APVD C. RICHARD 11SEP2002	NAME TERMINAL BLOCK, PLUG, STACKING, 5.08mm PITCH		
0 PLC ±		PRODUCT SPEC	SIZE		
1 PLC ±0.3		APPLICATION SPEC	CAGE CODE		
2 PLC ±0.25		WEIGHT	DRAWING NO		
3 PLC ±		CUSTOMER DRAWING	RESTRICTED TO		
4 PLC ±		SCALE 4:1	SHEET 2 OF 2		
ANGLES ±2°		SCALE 4:1	REV 09		
FINISH		SCALE 4:1	REV 09		
SEE NOTES		SCALE 4:1	REV 09		
SEE NOTES		SCALE 4:1	REV 09		

单击下面可查看定价，库存，交付和生命周期等信息

[>>TE Connectivity\(泰科\)](#)