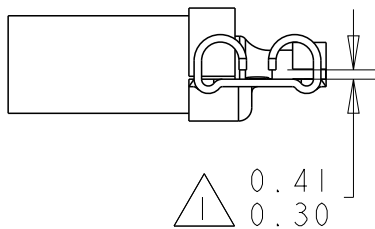
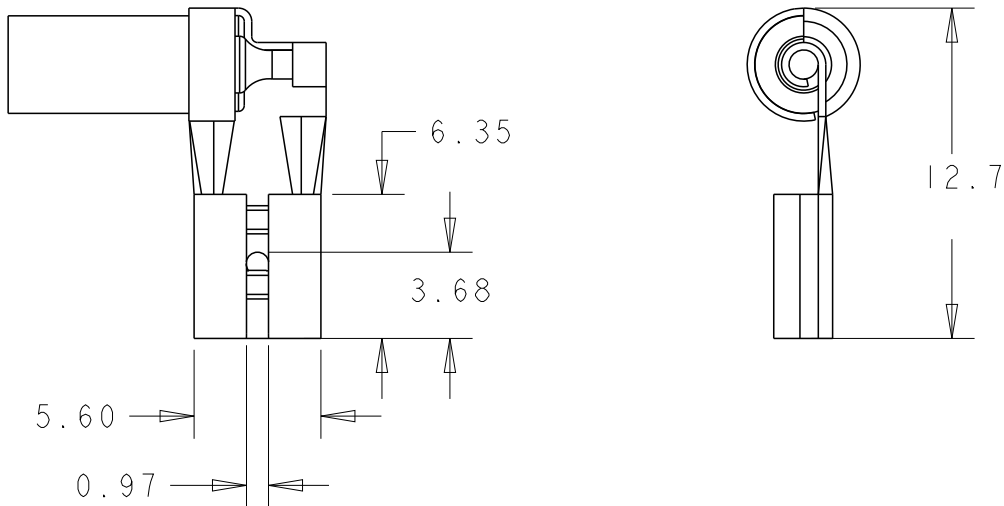


REVISIONS					
P	LTR	DESCRIPTION	DATE	DWN	APVD
	A	REDRAWN	29NOV2005	MJG	JA
	AI	REVISED PER ECR-14-017731	27NOV2014	NK	DC



NOTES:

- 1 TO SUIT 0.5mm THICK TAB
2. WIRE SIZE: 0.5 - 1.5mm<sup>2</sup>
3. INSULATION DIAMETER: 2.8 - 4.3

ELECTROPLATED TIN	Ph Bz	150634-2
NONE	Ph Bz	150634-1
FINISH	MATERIAL	PART NO

20


RELEASED FOR PUBLICATION

ALL RIGHTS RESERVED.

THIS DRAWING IS UNPUBLISHED.

BY -

© COPYRIGHT 20

DIMENSIONS: mm	DWN M. GREENER 29NOV2005	MATERIAL -	FINISH -
TOLERANCES UNLESS OTHERWISE SPECIFIED:	CHK J. AMBROSE 29NOV2005	 TE Connectivity	
0 PLC ±0.25 1 PLC ±0.25 2 PLC ±0.25 3 PLC ±- 4 PLC ±- ANGLES ±1°	APVD F. WHEELER-KING 29NOV2005		
	PRODUCT SPEC 108-5067	NAME .187 SERIES FLAG FASTON RECEPTACLE	
	APPLICATION SPEC -	SIZE A4	CAGE CODE 00779
	WEIGHT -	DRAWING NO C-150634	RESTRICTED TO -
Customer Drawing		SCALE 2:1	SHEET 1 OF 1
			REV A1

单击下面可查看定价，库存，交付和生命周期等信息

[>>TE Connectivity\(泰科\)](#)