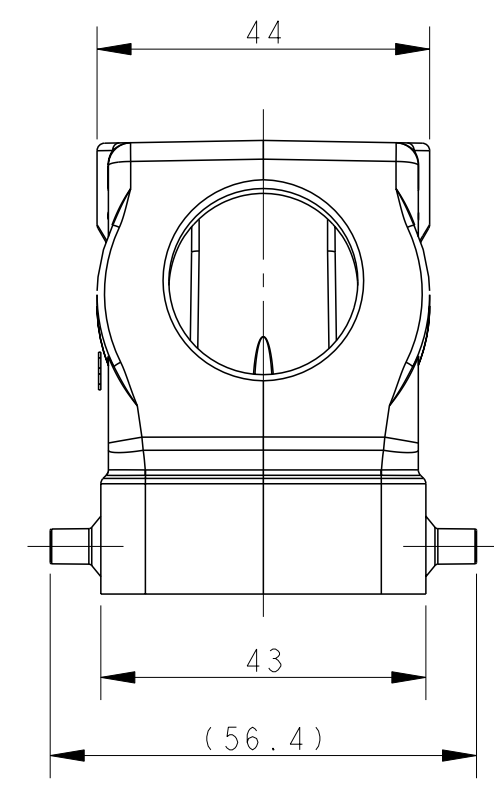
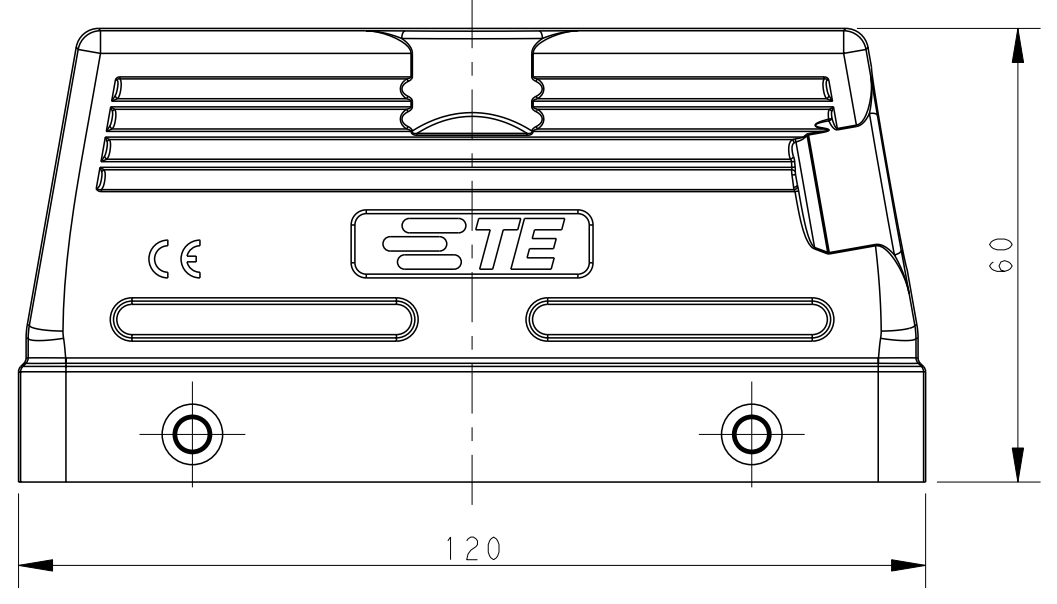


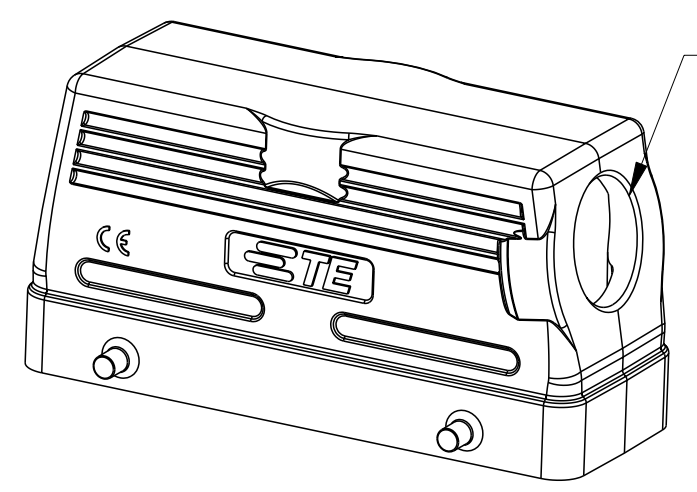
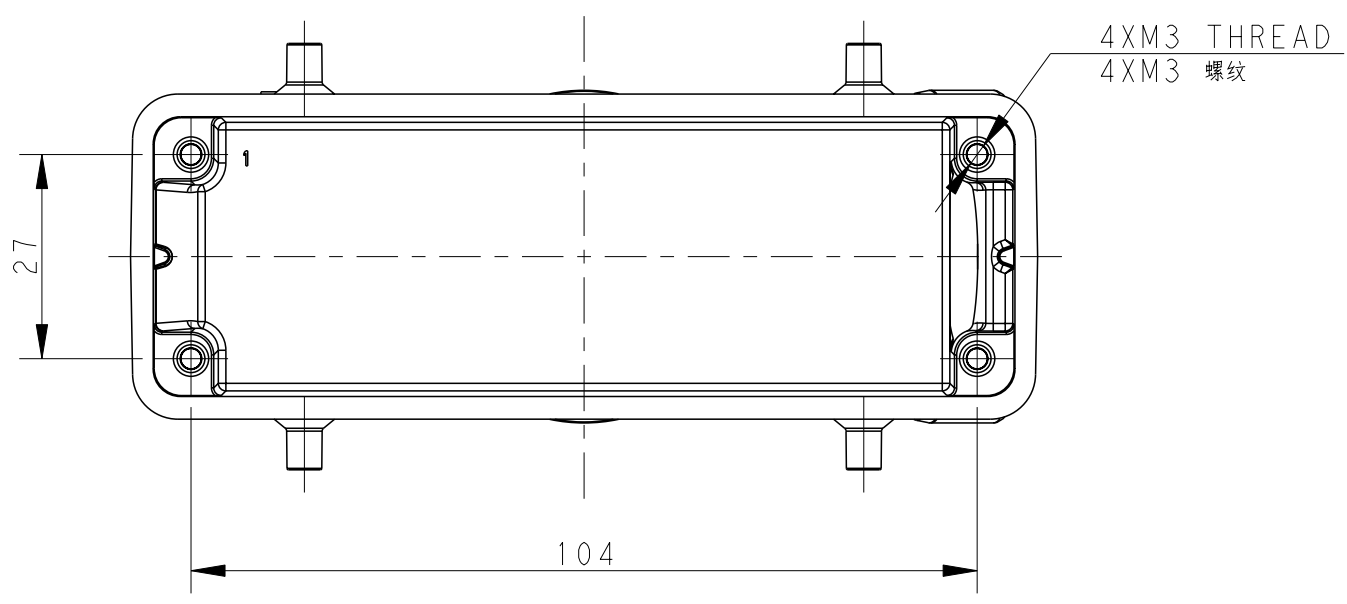
THIS DRAWING IS UNPUBLISHED. RELEASED FOR PUBLICATION 20
 © COPYRIGHT 20 BY - ALL RIGHTS RESERVED.

REVISIONS				
P	LTR	DESCRIPTION	DATE	APVD
A		INITIAL	03JUN2015	DW CW
A1		ECR-16-013642	08MAY2017	BS CW
B		ECR-20-014876	22OCT2020	WQR CW
B1		ECR-21-108894	04AUG2021	WQR CW

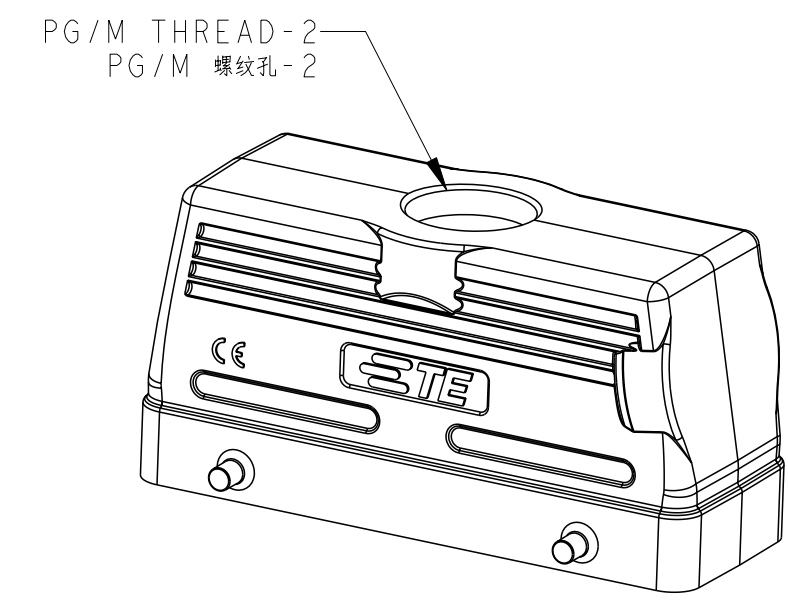


NOTES:
 1. TECHNICAL CHARACTERISTICS:
 BODY MATERIAL: DIE CAST ALUMINIUM ALLOY
 SURFACE TREATMENT: POWDER COATED, GREY
 DEGREE OF PROTECTION: IP65 (MATED)

注释:
 1. 技术参数:
 主体材料: 铝合金
 表面处理: 灰色粉末喷涂
 防护等级: IP65(配合)



TYPE 1: SIDE ENTRY
 类型1: 侧出



TYPE 2: TOP ENTRY,
 OTHER SPEC. REFER TO TYPE1
 类型2: 顶出, 其他规格参照类型1

PART NUMBER 料号	PART DESCRIPTION 描述	PG/M THREAD-1 PG/M 螺纹孔-1	PG/M THREAD-2 PG/M 螺纹孔-2	TYPE 类型
T1210240116-000	H24B HOOD, SIDE ENTRY PG16, 4 EAR, POWDER COATED, GREY H24B上壳, 侧出PG16, 4耳, 灰色粉末喷涂	PG16	-	TYPE 1 类型 1
T1210240120-000	H24B HOOD, SIDE ENTRY M20, 4 EAR, POWDER COATED, GREY H24B上壳, 侧出M20, 4耳, 灰色粉末喷涂	M20	-	
T1210240121-000	H24B HOOD, SIDE ENTRY PG21, 4 EAR, POWDER COATED, GREY H24B上壳, 侧出PG21, 4耳, 灰色粉末喷涂	PG21	-	
T1210240125-000	H24B HOOD, SIDE ENTRY M25, 4 EAR, POWDER COATED, GREY H24B上壳, 侧出M25, 4耳, 灰色粉末喷涂	M25	-	
T1210240132-000	H24B HOOD, SIDE ENTRY M32, 4 EAR, POWDER COATED, GREY H24B上壳, 侧出M32, 4耳, 灰色粉末喷涂	M32	-	TYPE 2 类型 2
T1220240116-000	H24B HOOD, TOP ENTRY PG16, 4 EAR, POWDER COATED, GREY H24B上壳, 顶出PG16, 4耳, 灰色粉末喷涂	-	PG16	
T1220240121-000	H24B HOOD, TOP ENTRY PG21, 4 EAR, POWDER COATED, GREY H24B上壳, 顶出PG21, 4耳, 灰色粉末喷涂	-	PG21	
T1220240125-000	H24B HOOD, TOP ENTRY M25, 4 EAR, POWDER COATED, GREY H24B上壳, 顶出M25, 4耳, 灰色粉末喷涂	-	M25	
T1220240129-000	H24B HOOD, TOP ENTRY PG29, 4 EAR, POWDER COATED, GREY H24B上壳, 顶出PG29, 4耳, 灰色粉末喷涂	-	PG29	
T1220240132-000	H24B HOOD, TOP ENTRY M32, 4 EAR, POWDER COATED, GREY H24B上壳, 顶出M32, 4耳, 灰色粉末喷涂	-	M32	
T1220240140-000	H24B HOOD, TOP ENTRY M40, 4 EAR, POWDER COATED, GREY H24B上壳, 顶出M40, 4耳, 灰色粉末喷涂	-	M40	
T1220240134-000	H24B HOOD, TOP ENTRY G3/4, 4 EAR, POWDER COATED, GREY H24B上壳, 顶出G3/4, 4耳, 灰色粉末喷涂	-	G3/4	

THIS DRAWING IS A CONTROLLED DOCUMENT.

DWN David Wang 03JUN2015	 TE Connectivity
CHK Chris Wang 03JUN2015	
APVD Xiang Xu 03JUN2015	
PRODUCT SPEC 108-137013	
MATERIAL -	NAME H24B-TS/TG-M/PG
TOLERANCES UNLESS OTHERWISE SPECIFIED:	SIZE A200779
0 PLC ±	CAGE CODE
1 PLC ±	DRAWING NO C-T12X02401XX000
2 PLC ±	RESTRICTED TO
3 PLC ±	SCALE 1:1
4 PLC ±	SHEET 1 OF 1
ANGLES ±	REV B1
FINISH -	Customer Drawing

Printed on 5 Aug 2021 10:31 (China Standard Time) from TE343646

单击下面可查看定价，库存，交付和生命周期等信息

[>>TE Connectivity\(泰科\)](#)