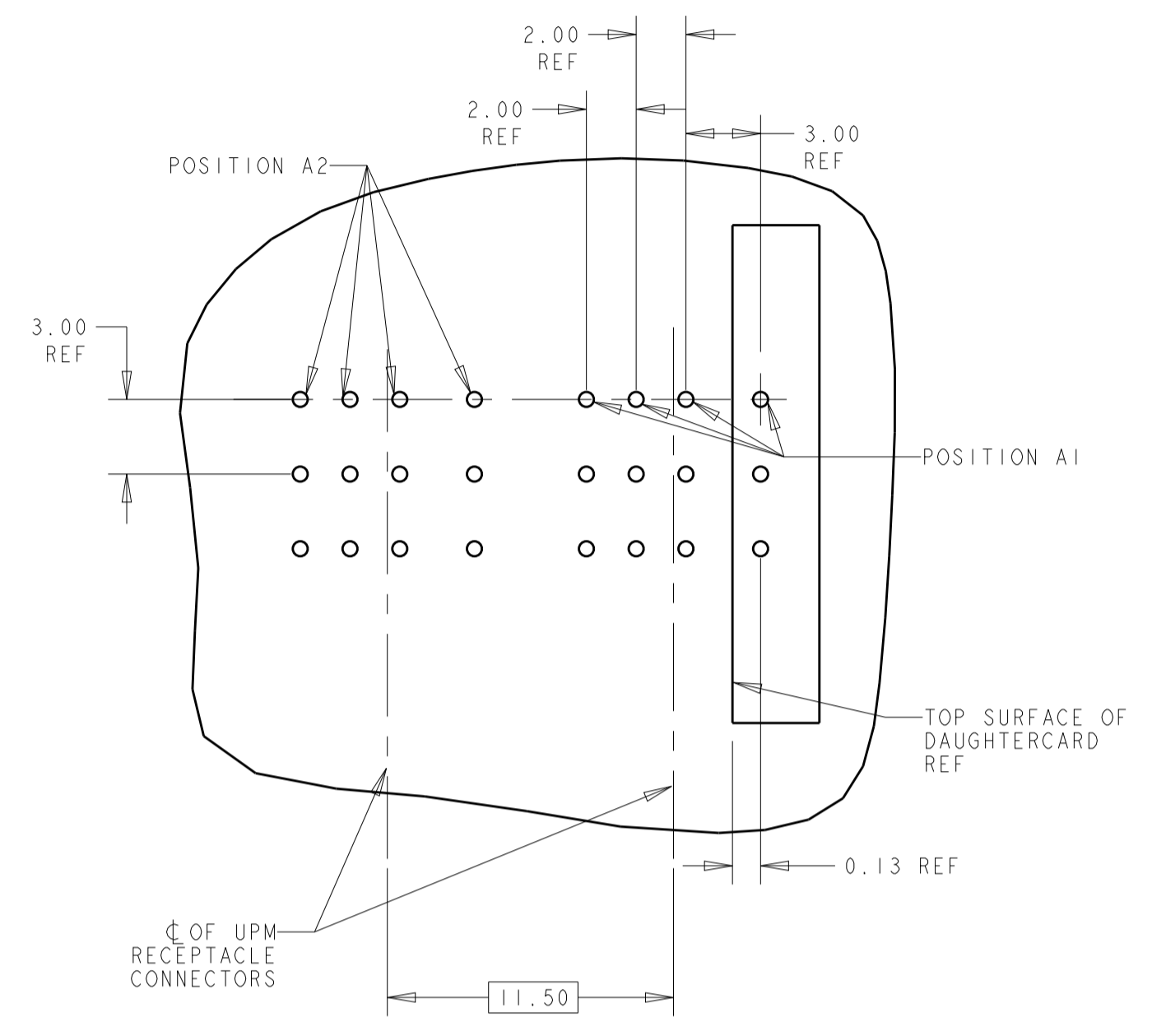
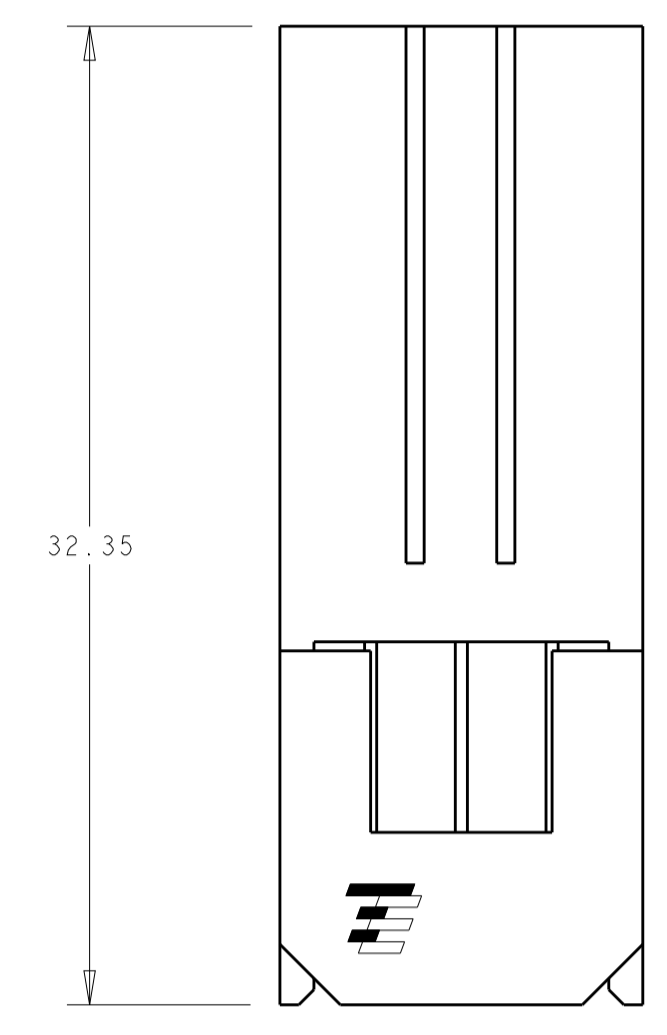


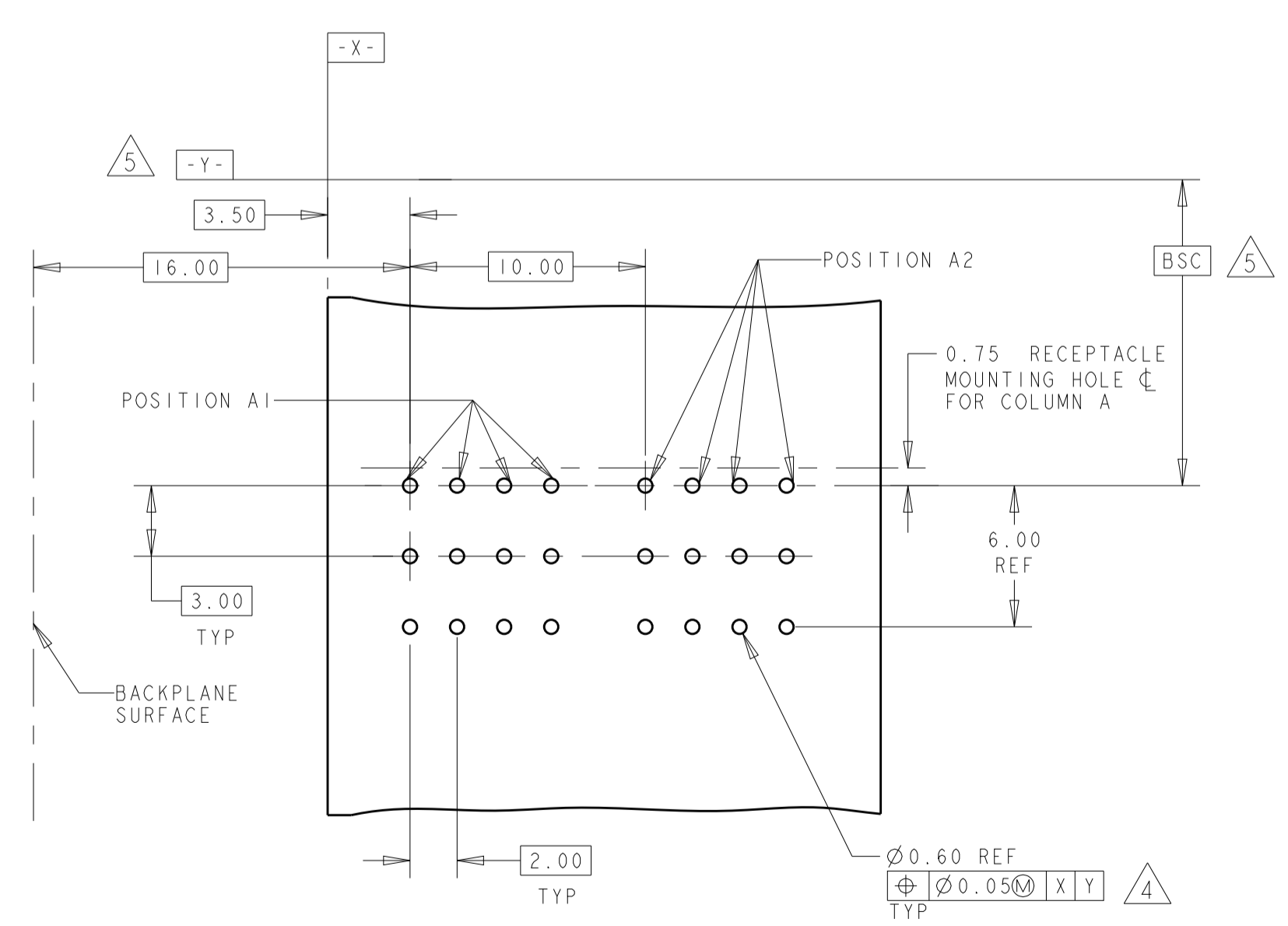
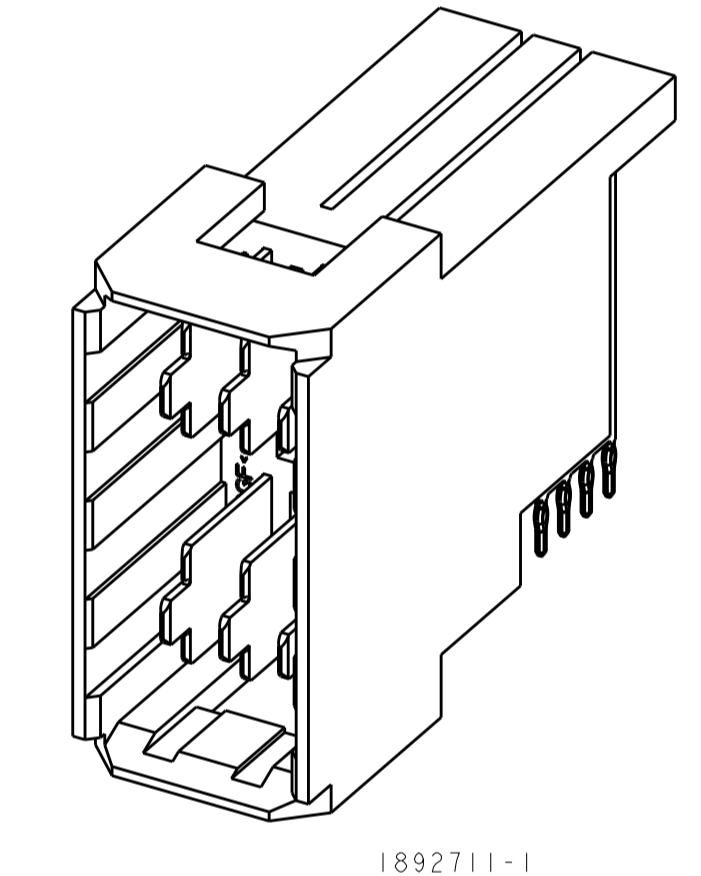
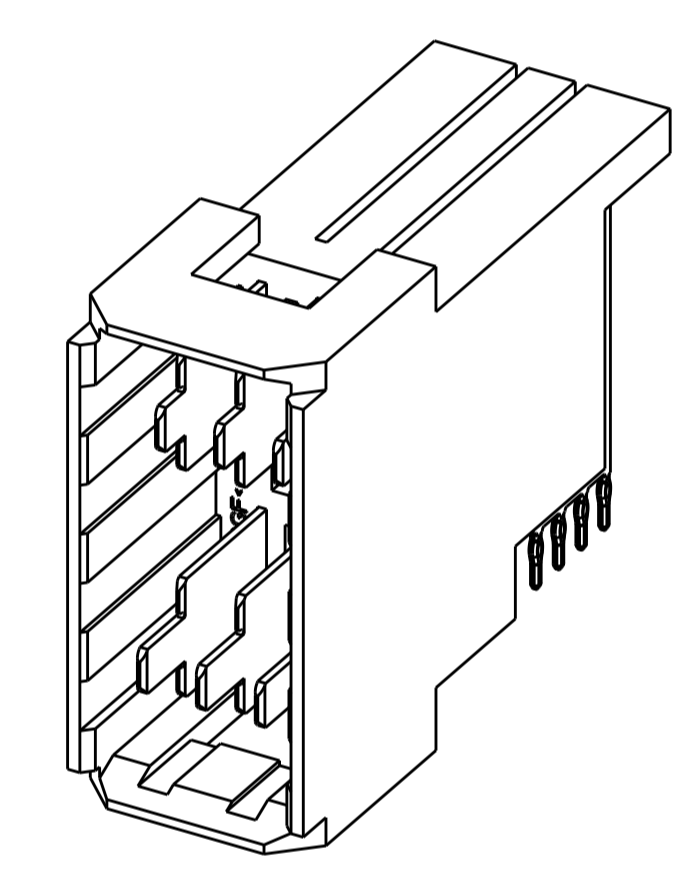
LOC		DIST		REVISIONS			
ES	00	P	LTM	DESCRIPTION	DATE	DWN	APVD
		A2		CORRECT DRAFT ERROR	09APR2013	OL	SZ



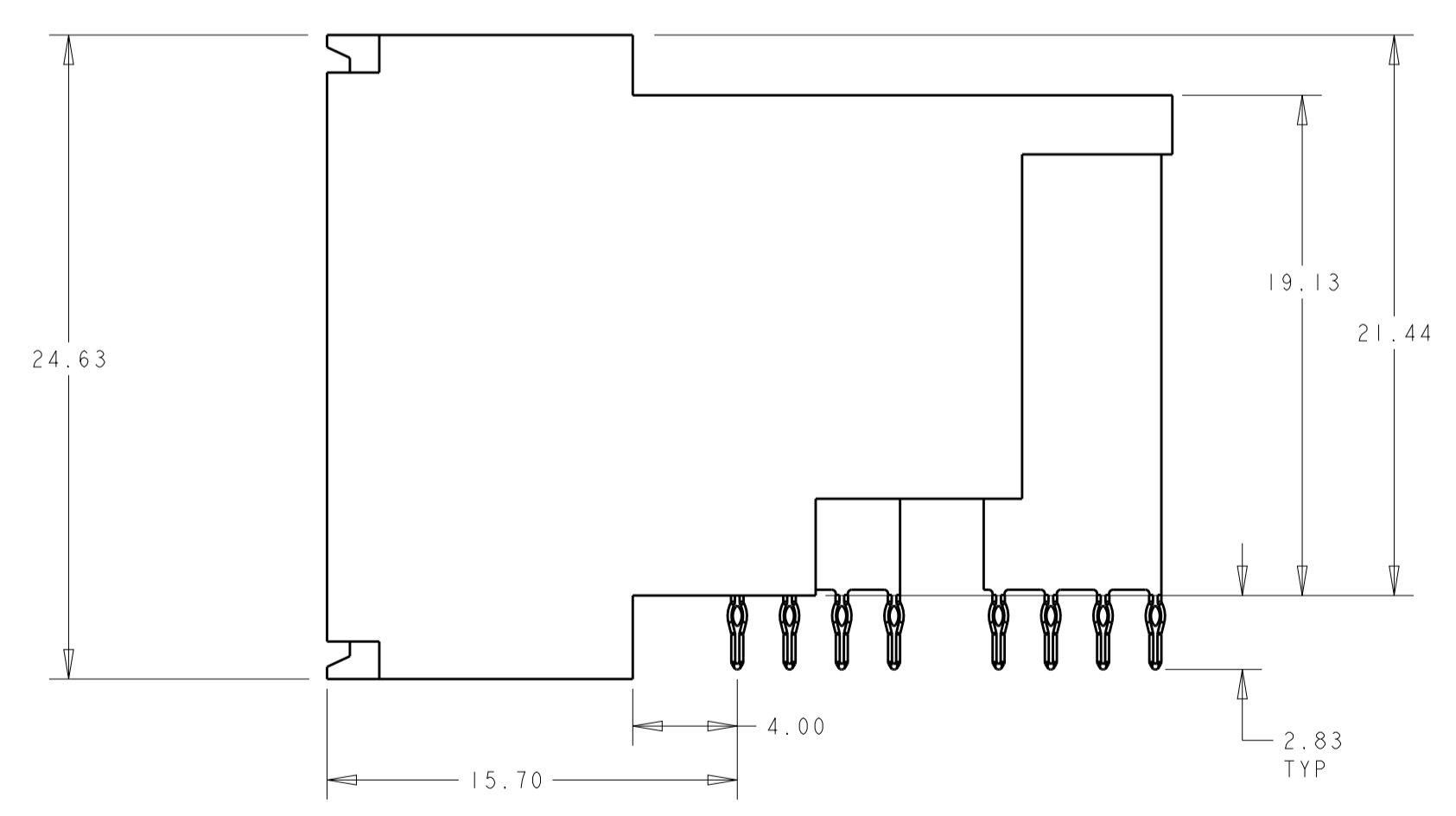
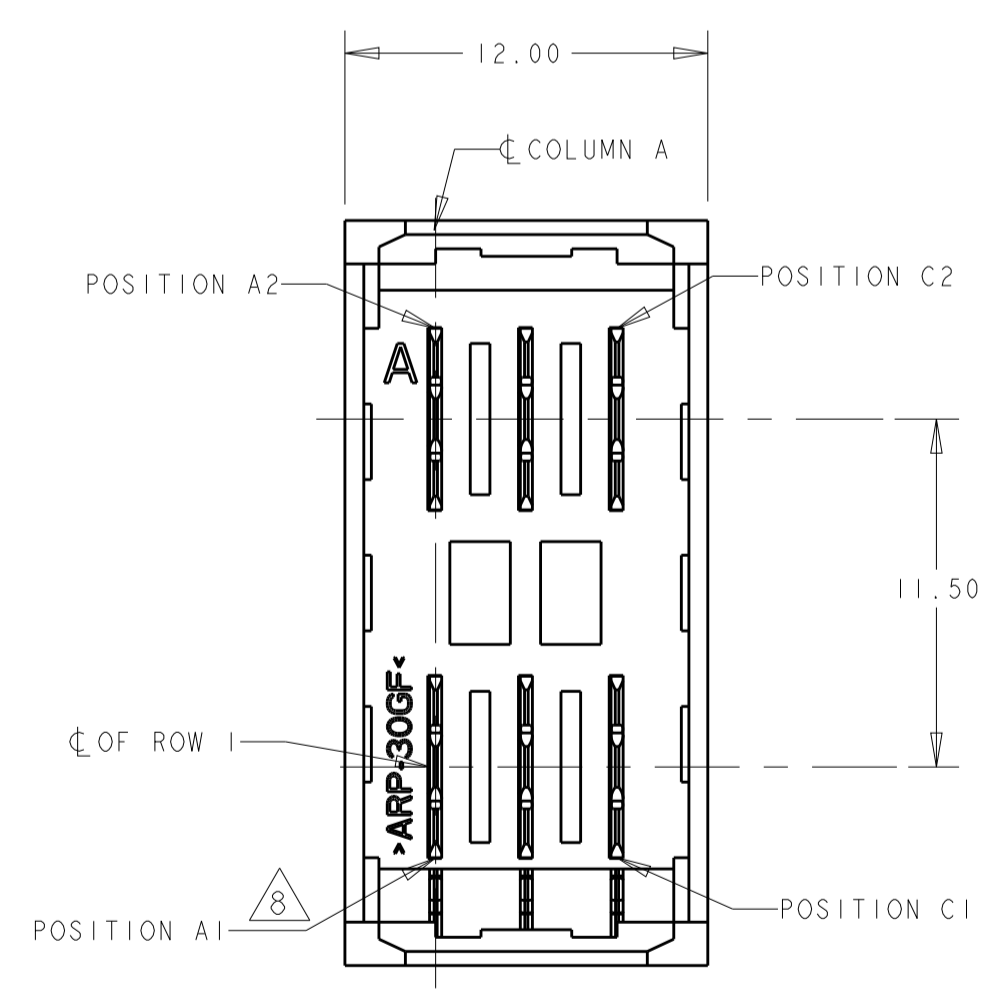
MATING VERTICAL UPM RECEPTACLE PCB LAYOUT <sup>3</sup>



- 1 MATERIAL: HOUSING: POLYESTER. COLOR: BLACK, UL 94 V-0  
CONTACT: COPPER ALLOY.
- 2 FINISH: CONTACT MATING AREA: 0.00076 mm MIN GOLD PLATE OVER 0.00127 mm MIN NICKEL, OR 0.0005 mm MIN GOLD OVER 0.00064 mm PALLADIUM-NICKEL OVER 0.00127 mm MIN NICKEL.  
COMPLIANT TAIL AREA: 0.0005 mm MIN MATTE TIN PLATE OVER 0.00127 mm NICKEL UNDERPLATE.
- 3 TAILS OF MATING UPM STYLE RECEPTACLE ARE OFFSET BY 0.75 mm FROM TAILS OF THIS CONNECTOR. SEE CUSTOMER DRAWING 120992 FOR RECEPTACLE EXAMPLE. SEE APPLICATION SPEC 114-1103 FOR MORE DETAILED DESCRIPTION OF THE TAIL OFFSETS.
- 4 PC BOARD HOLE SPECIFICATIONS:  
 DRILLED HOLE SIZE: 0.700±0.02 mm  
 FINISHED HOLE SIZE: 0.60±0.05 mm  
 PLATING THICKNESS:  
 0.025 - 0.050 mm COPPER  
 0.004 - 0.010 mm HASL TIN  
 0.0005 mm MIN IMMERSION TIN  
 0.0002 - 0.0005 mm OSP  
 0.0001mm MIN IMMERSION SILVER  
 0.0001-0.0005 mm IMMERSION GOLD OVER 0.004-0.005 mm NICKEL
- 5 DATUM AND BASIC DIMENSION ESTABLISHED BY CUSTOMER.
- 6 MINIMUM REQUIRED PC BOARD THICKNESS IS 1.44mm.
- 7 CONTACT AREA LUBRICATED WITH BELLCORE APPROVED LUBRICANT. TECHNICAL REFERENCE GR-1217-CORE, ISSUE 1 NOVEMBER 1995.
- 8 POSITION A1 IS AT MATERIAL ID.



RECOMMENDED PCB LAYOUT <sup>6</sup>



BI	C1	A1, A2, B2, C2	1892711-3
-	A1, B1, C1	A2, B2, C2	1892711-2
-	-	ALL	1892711-1
POSITION LOADED WITH 7.7 REF SHORT PIN		POSITION LOADED WITH 10.92 REF LONG PIN	POSITION LOADED WITH 9.32 REF MIDDLE PIN
PART NO		PART NO	

DWN	ORANDO LI	23JUN2009	Tyco Electronics Shanghai, P.R. China. 200233
CHK	SUNY ZHAO	23JUN2009	
APVD	STEVEN YAO	23JUN2009	NAME
DIMENSIONS:			PRODUCT SPEC
TOLERANCES UNLESS OTHERWISE SPECIFIED:			APPLICATION SPEC
mm	0 PLC ±.25	1 PLC ±.25	SIZE
	2 PLC ±.25	3 PLC ±.25	CAGE CODE
	4 PLC ±.25	5 PLC ±.25	DRAWING NO
	ANGLES ±1°		RESTRICTED TO
MATERIAL	FINISH	WEIGHT	SCALE
1	2	-	5:1
Customer Drawing			SHEET 1 OF 1
A100779C=1892711			REV A2

单击下面可查看定价，库存，交付和生命周期等信息

[>>TE Connectivity\(泰科\)](#)