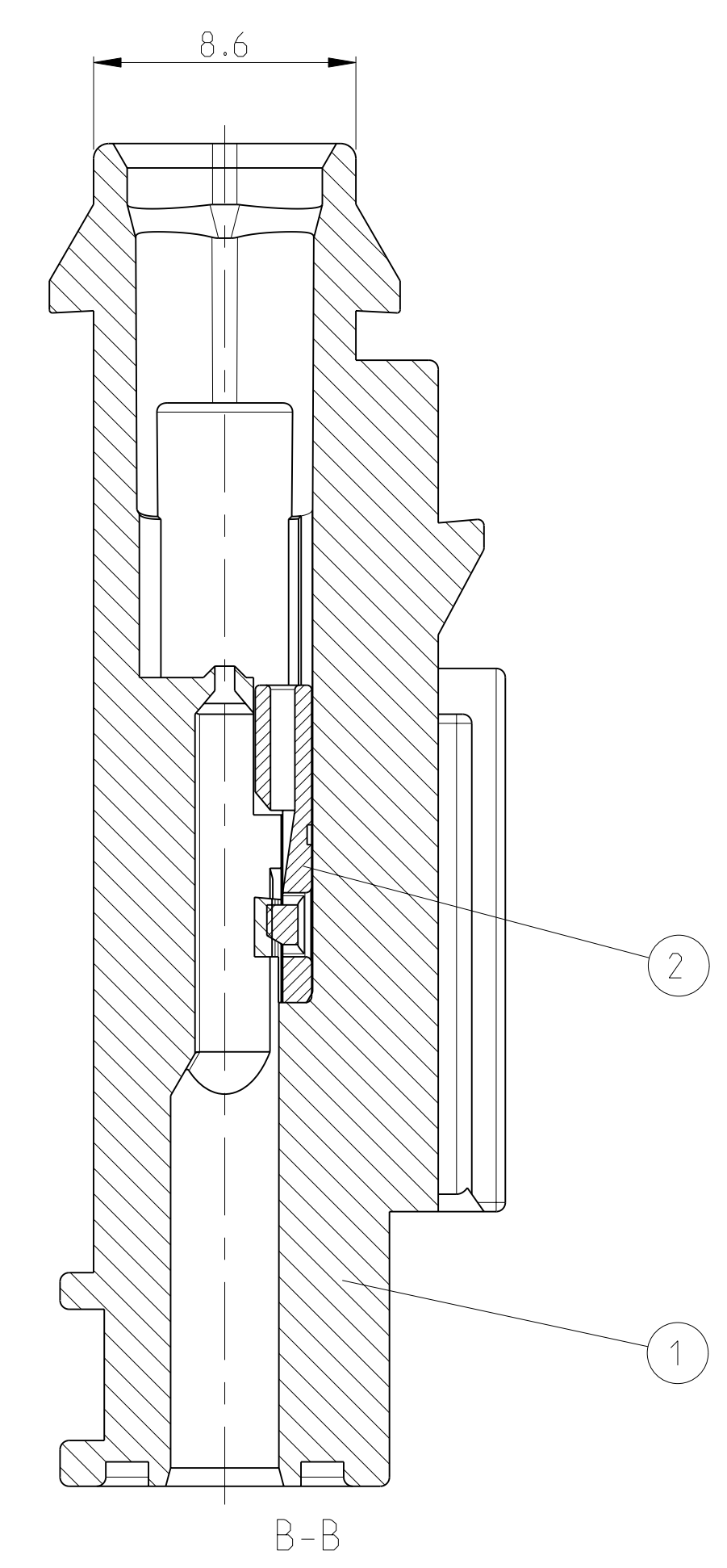
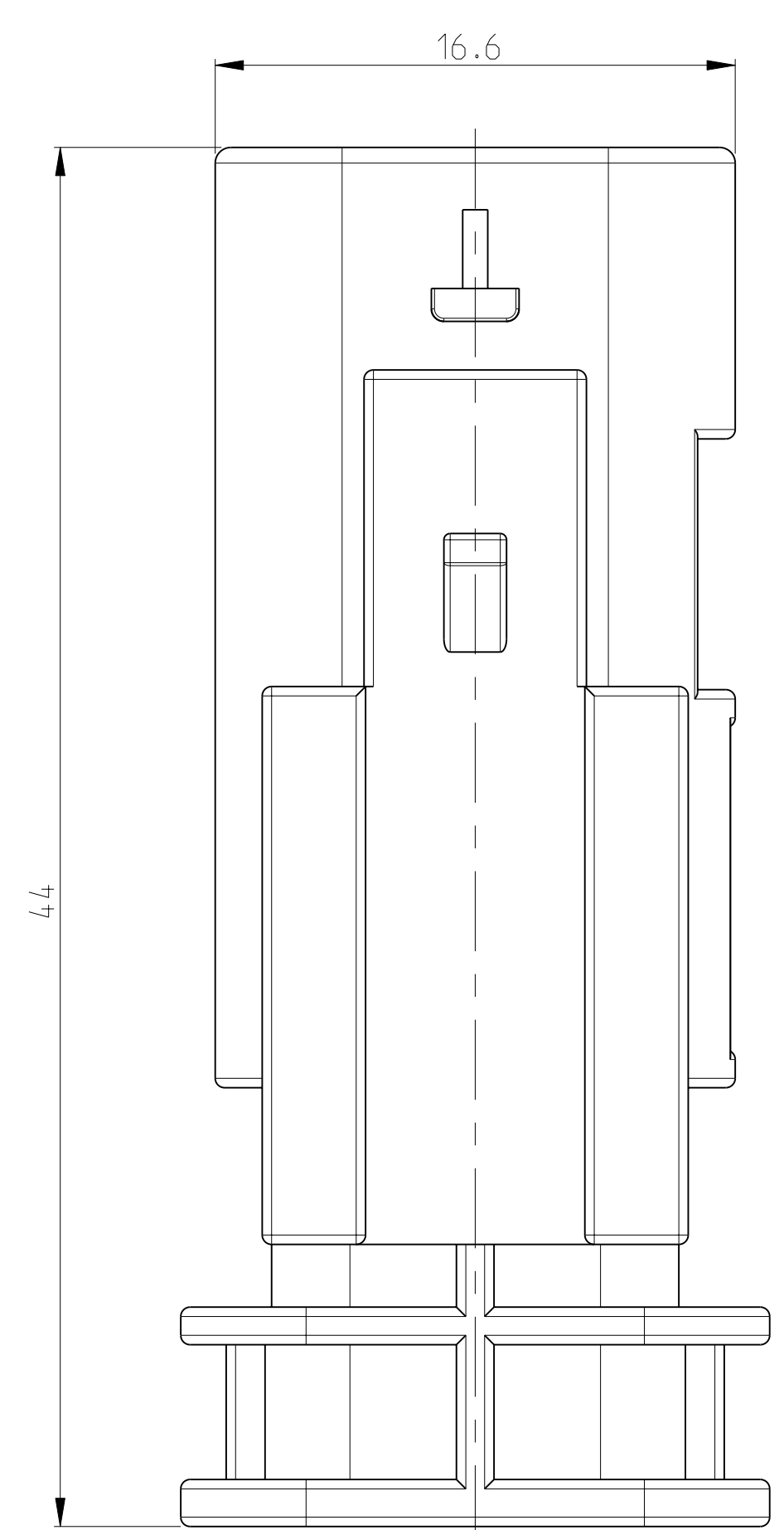
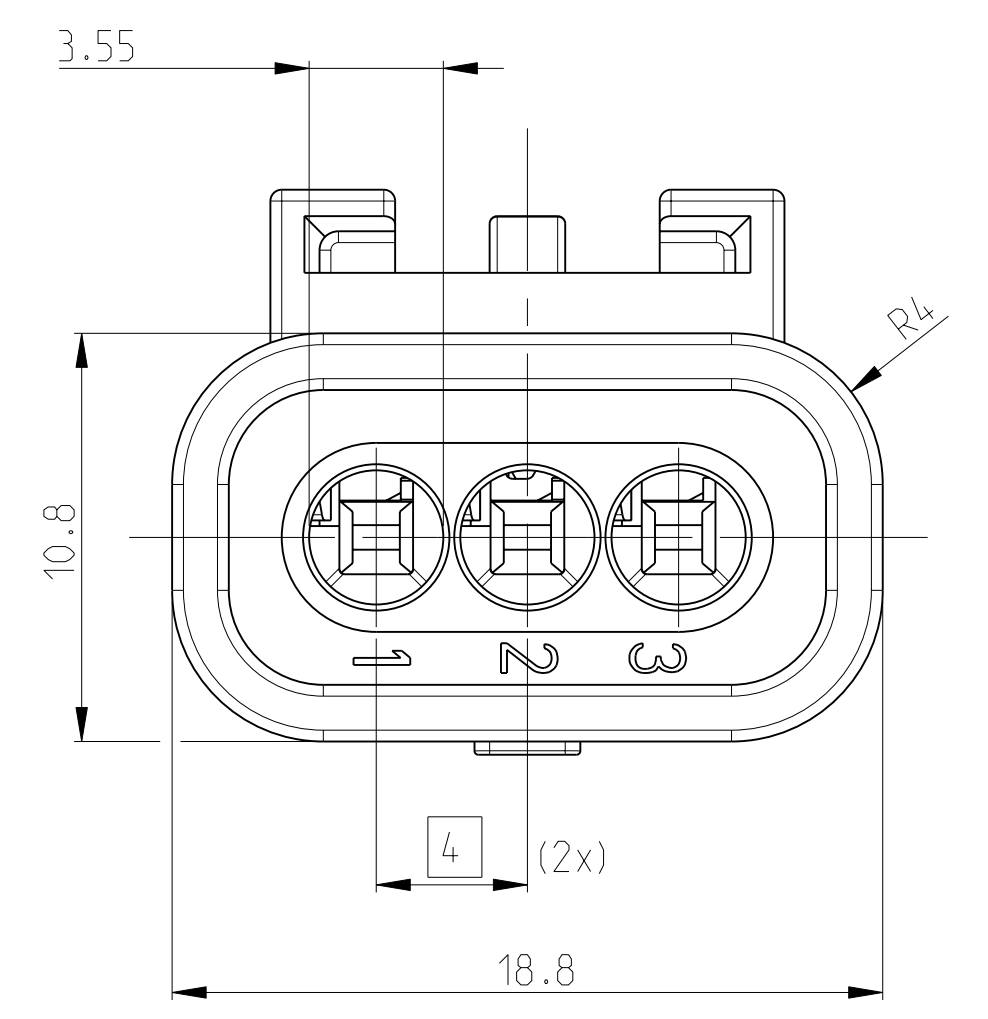
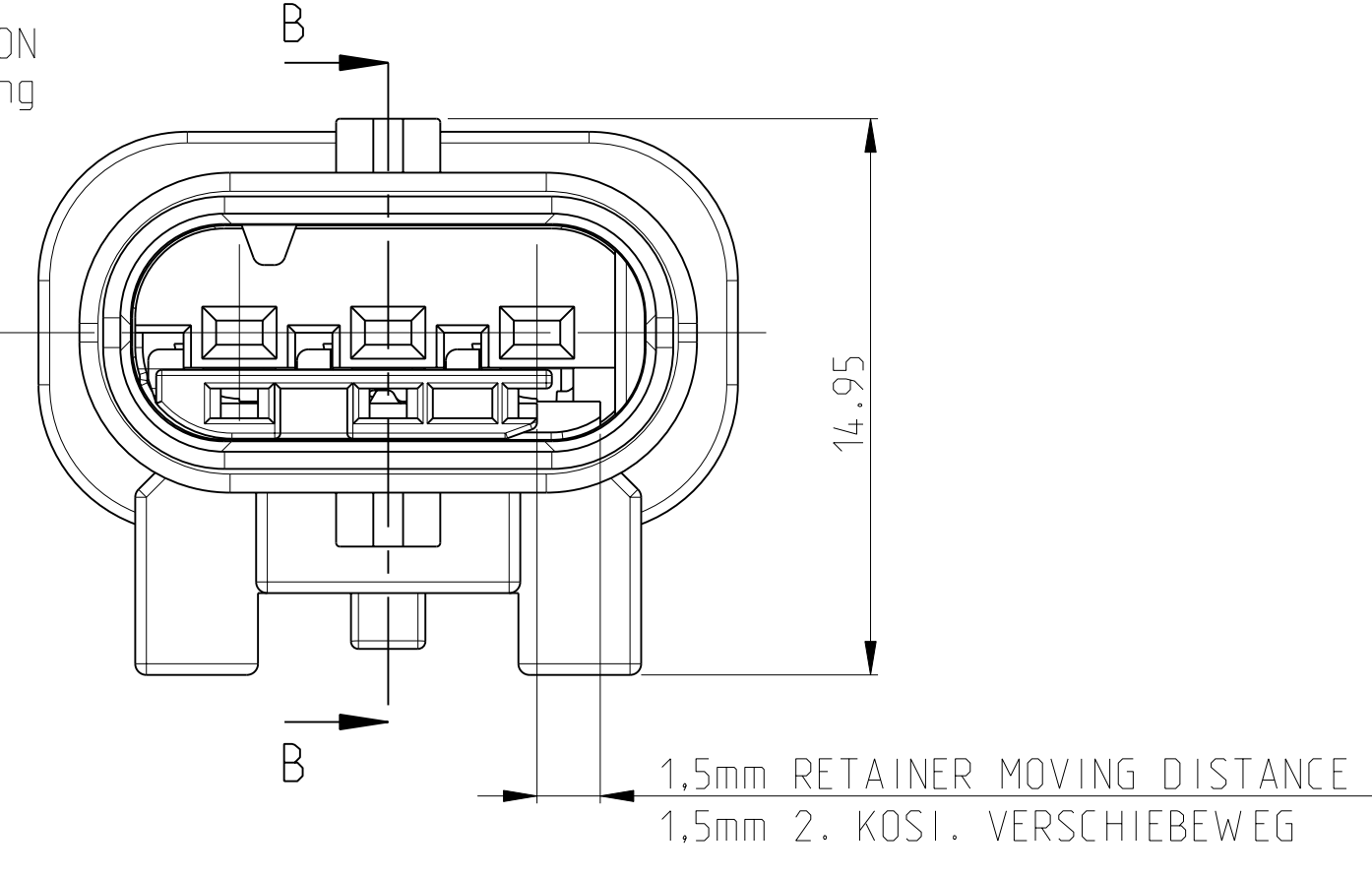


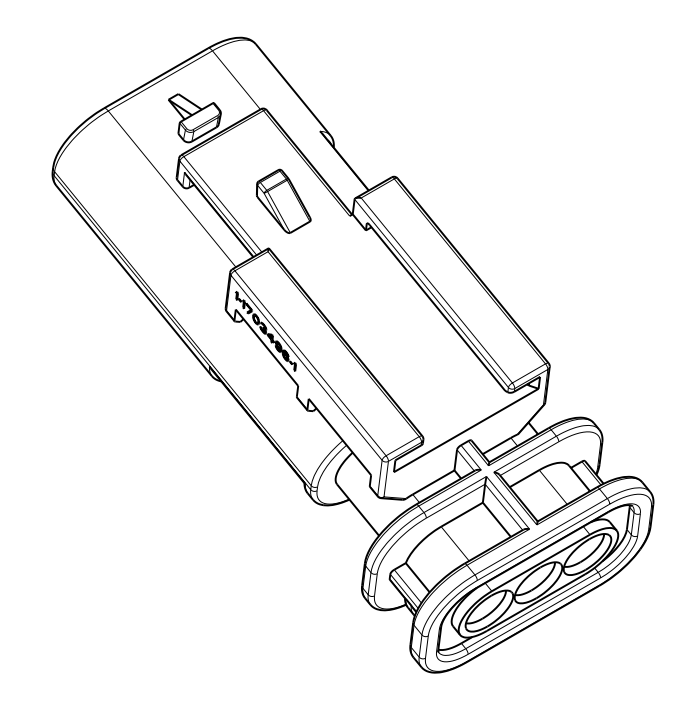
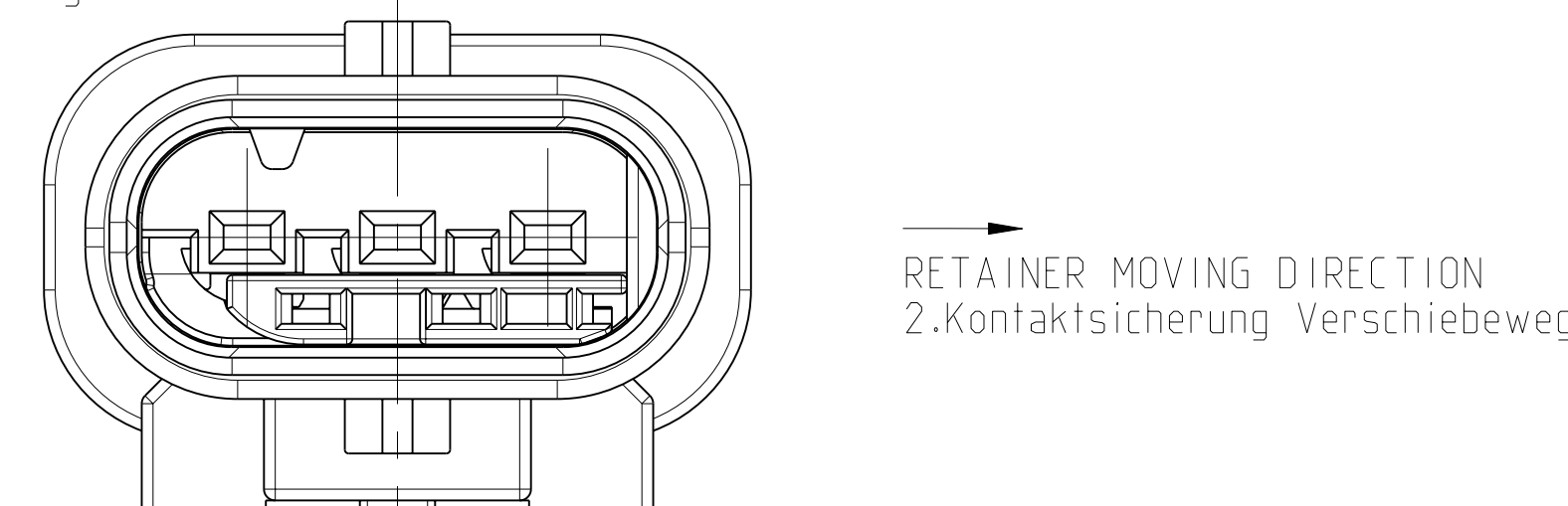
SHOWN 1-1703494-1



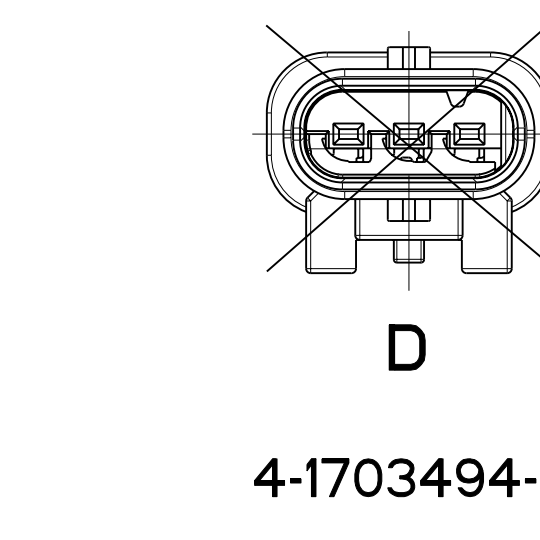
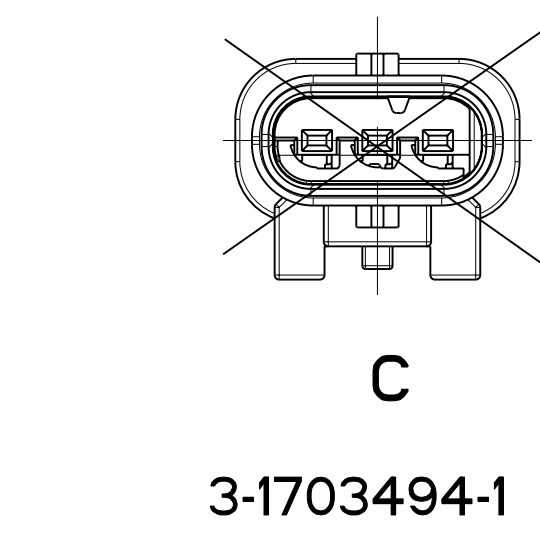
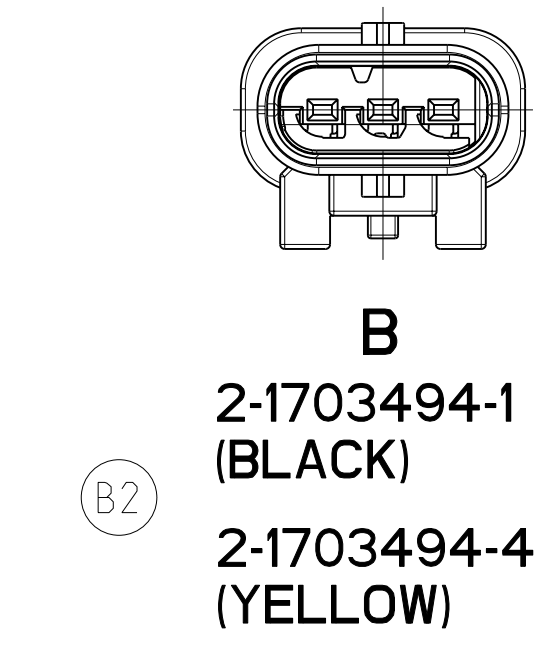
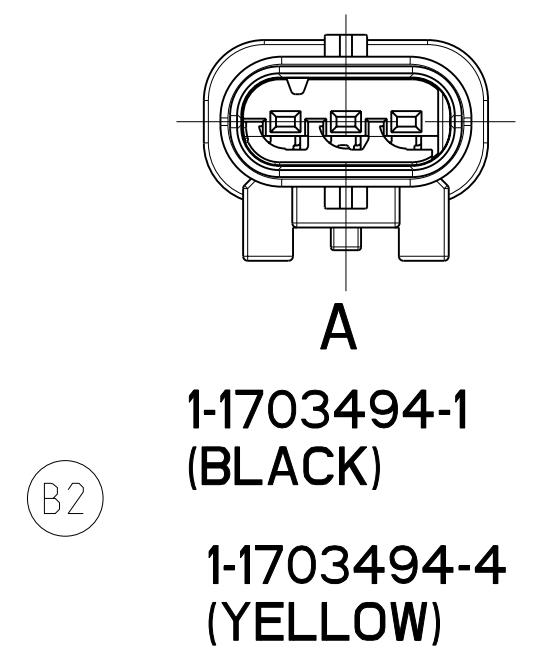
RETAINER IN PRE LOCKED POSITION
Kontaktsicherung in Vorraststellung



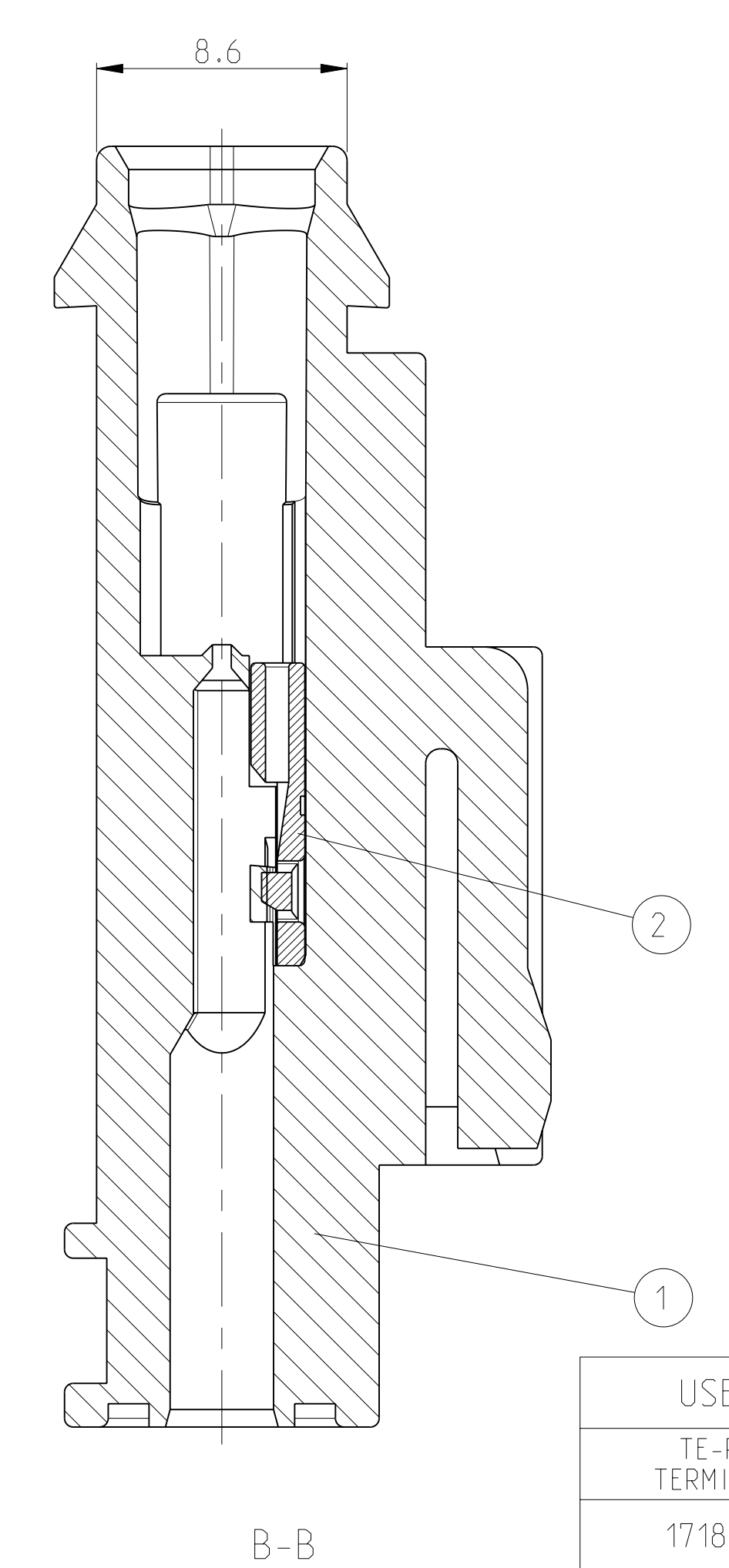
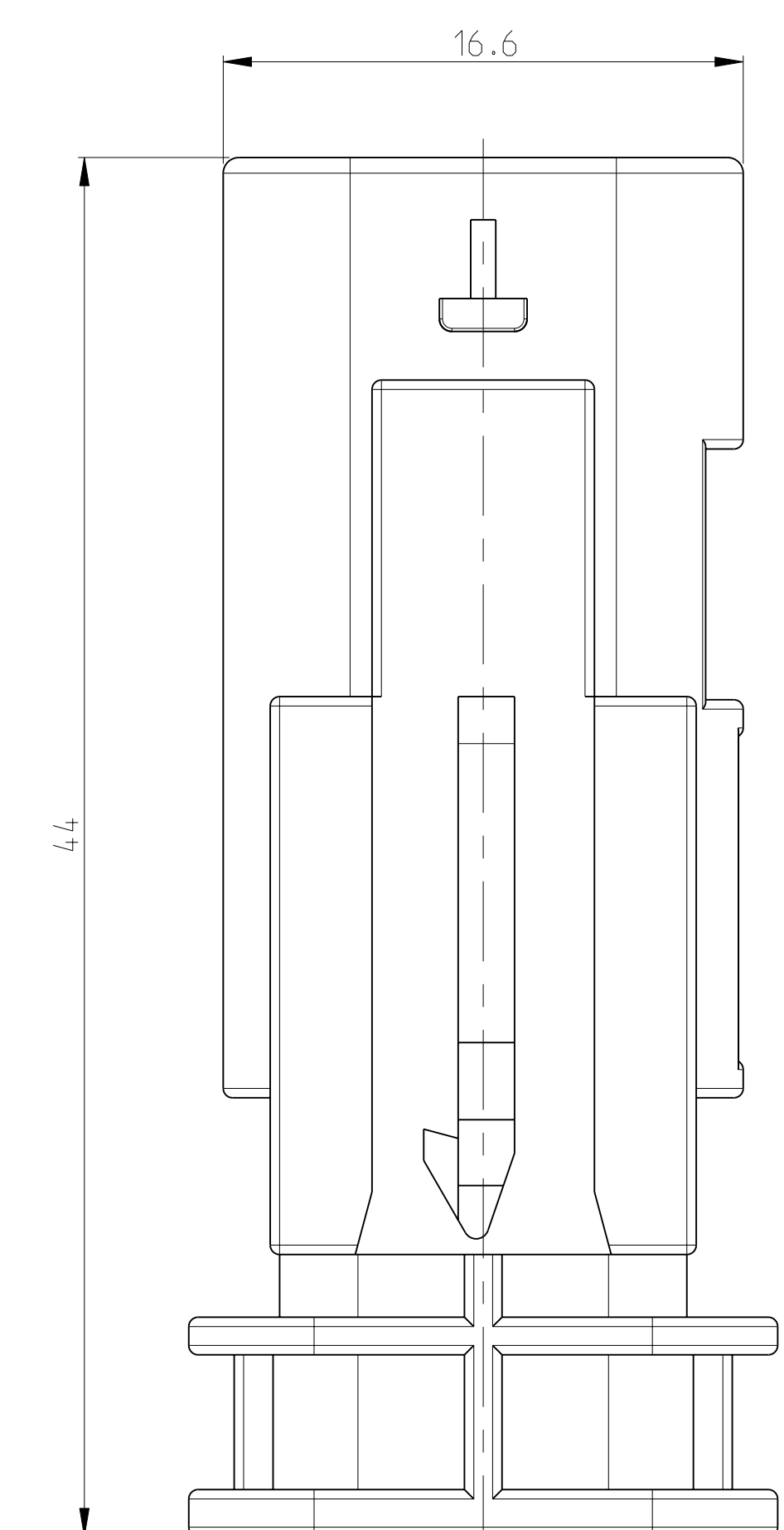
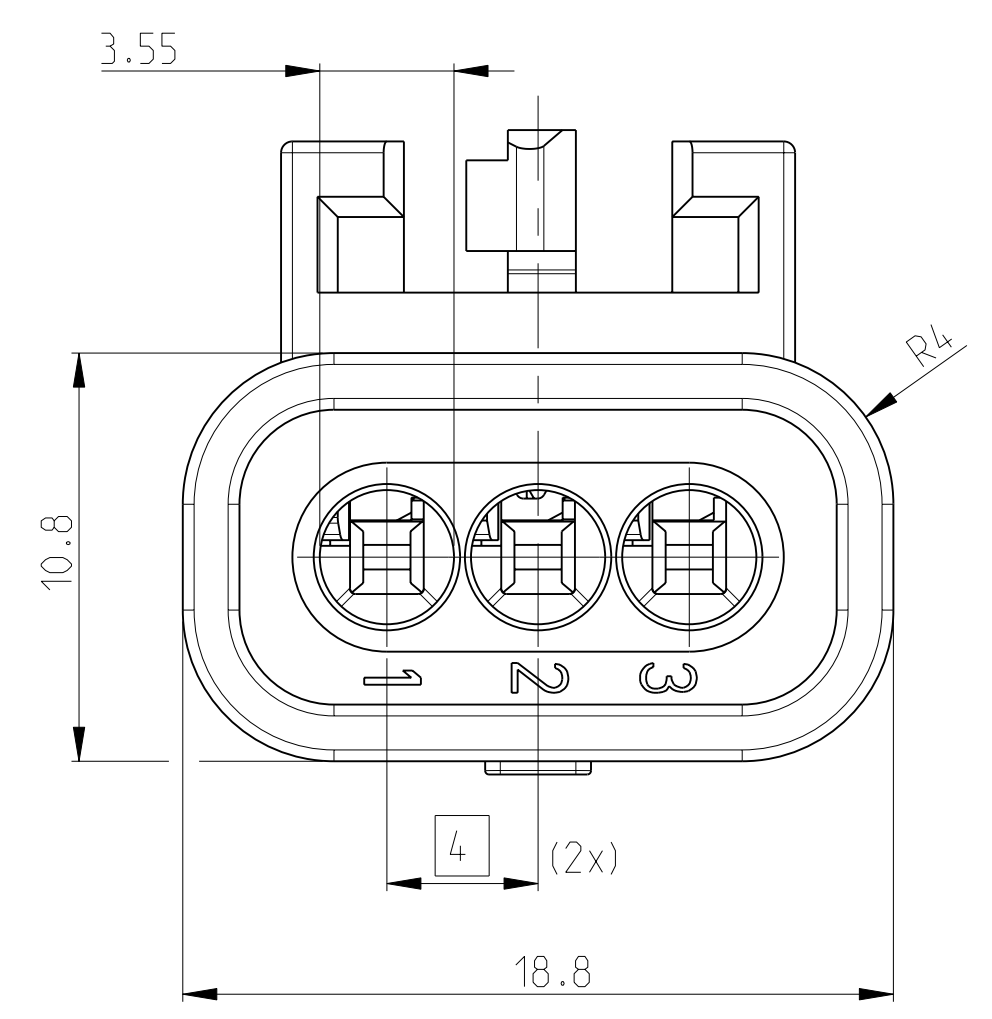
RETAINER IN FINAL LOCKED POSITION
2.Kontaktsicherung in Endraststellung



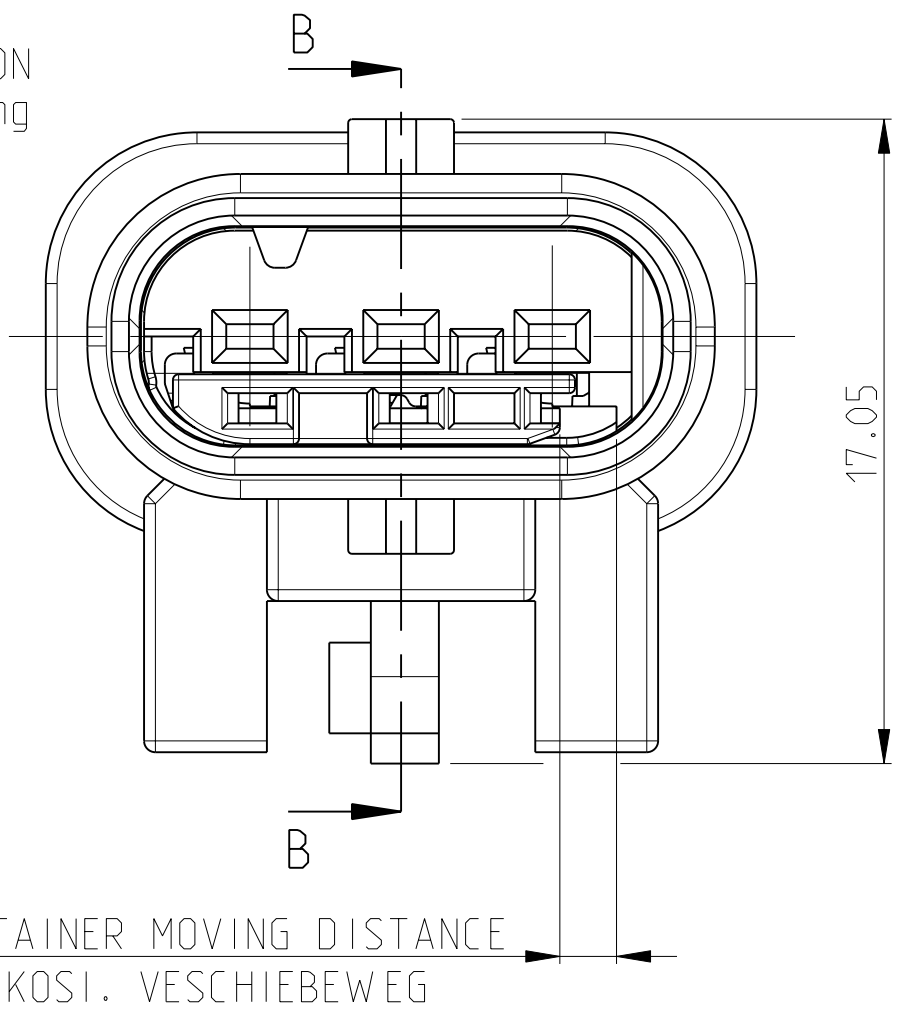
CODINGS KODIERUNGEN M 2:1



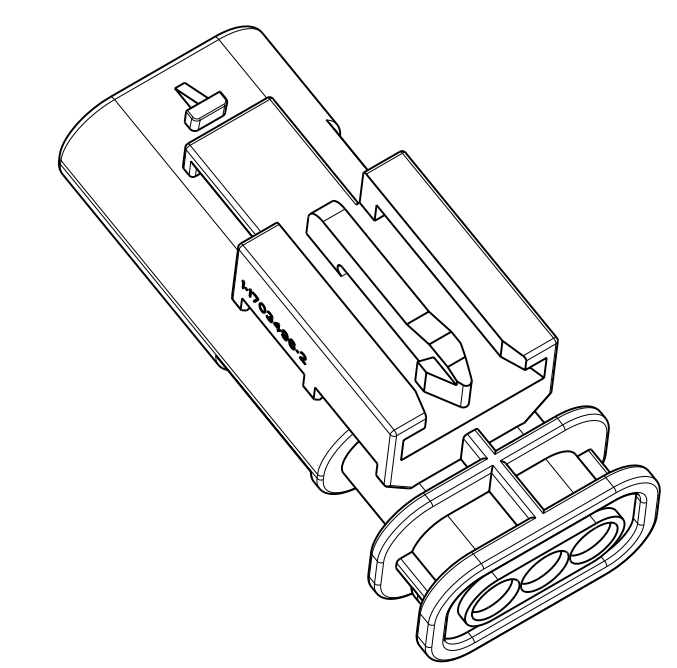
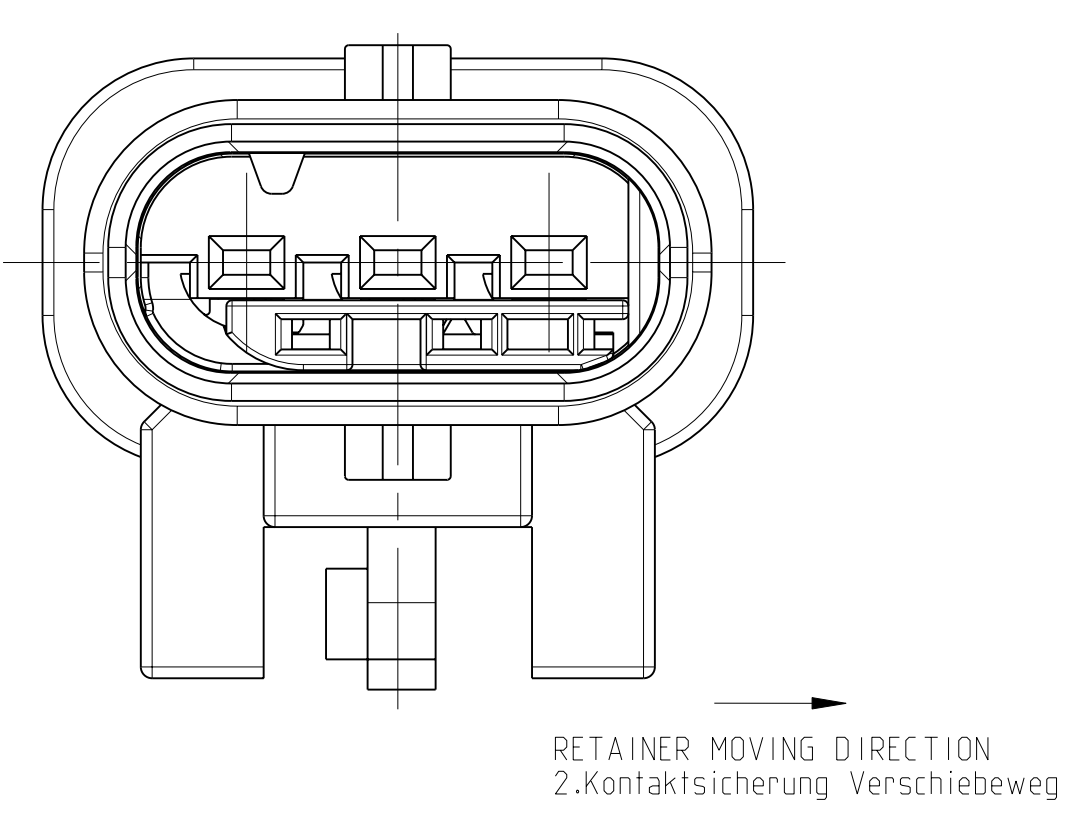
SHOWN 1-1703494-2



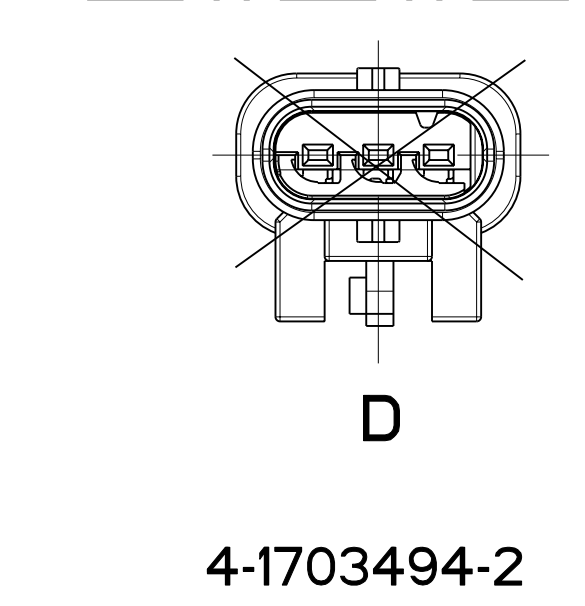
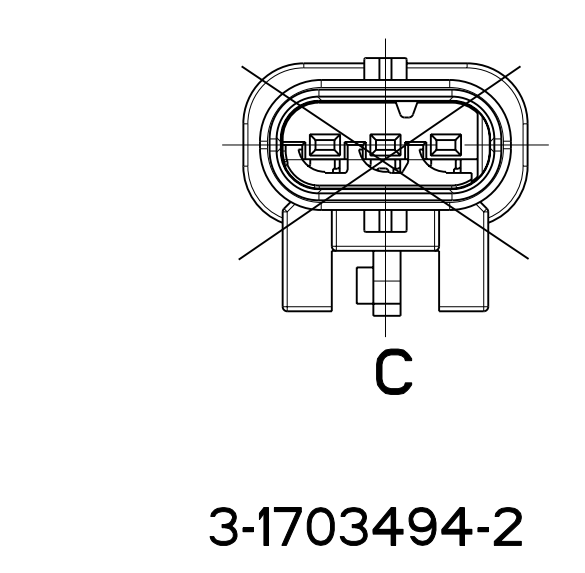
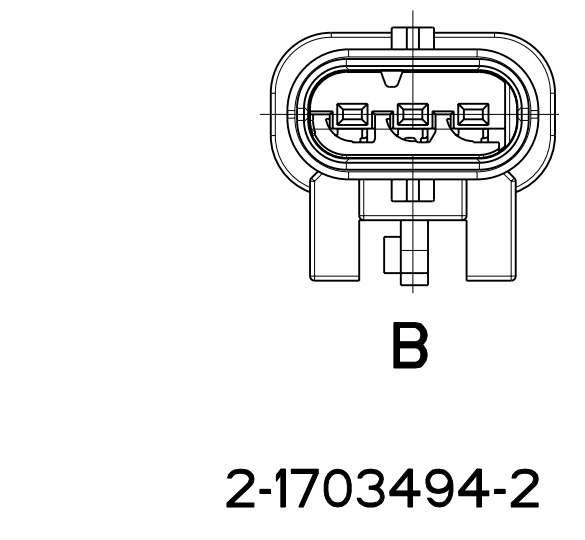
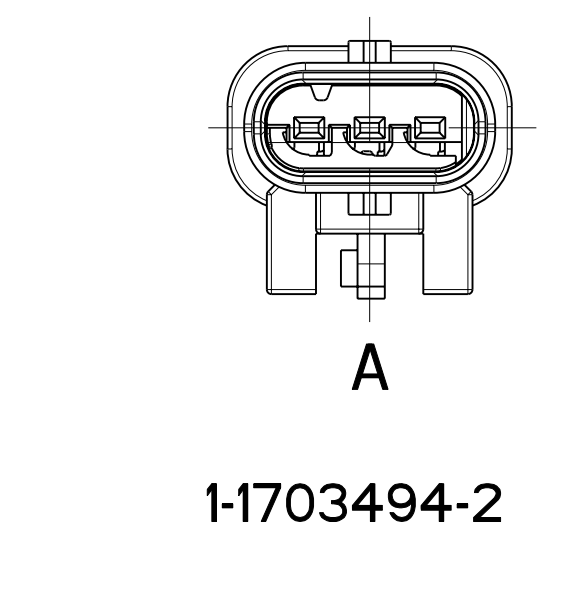
RETAINER IN PRE LOCKED POSITION
Kontaktsicherung in Vorraststellung



RETAINER IN FINAL LOCKED POSITION
2.Kontaktsicherung in Endraststellung



CODINGS KODIERUNGEN M 2:1



| USED MCON 1.2mm LL MALE TERMINALS AND SEALS | | | |
|---|----------------------------|-------------------------|-------------------|
| TE-PN. TERMINALS | WIRE RANGE | TE-PN. SINGLE WIRE SEAL | TE-PN. BLIND PLUG |
| 1718756 | 0.14 - 0.22mm ² | 967067-2 | |
| 1718758 | 0.25 - 0.35mm ² | 967067-2 | B2 967056-1 |
| 1718760 | 0.5 - 0.75mm ² | 967067-1 | |
| 1718762 | 1mm ² | 967067-1 | |

TERMINAL TE-APPLICATION SPEC.: 114-18464.

| TE SUITABLE FEMALE HSG. PASSENDE BUCHSENGEH. ORDER-NO. | TE- Bestell-Nr. PASSENDE BUCHSENGEH. ORDER-NO. | CODE | Benennung TITLE | ASSY REV. | QTY | Benennung Einzelteil TITLE | Werkstoff MATERIAL | Oberflaeche/Farbe SURFACE/COLOR | Pos. ITEM | |
|--|--|-------------|--|--|-----|----------------------------|----------------------------|---------------------------------|----------------|----|
| | 1-1703494-2 | D | Stiftgehaeuse 3pol. MALE HOUSING 3POS. | B | 1 | Kontaktsicherung | PA66-GF35 | violett/VIOLET | 2 | |
| | 1-1703494-2 | D | Stiftgehaeuse 3pol. MALE HOUSING 3POS. | B | 1 | Stiftgehaeuse MALE HOUSING | PBT-GF30 | schwarz/BLACK | 1d | |
| | 3-1703494-2 | C | Stiftgehaeuse 3pol. MALE HOUSING 3POS. | B | 1 | Kontaktsicherung | PA66-GF35 | violett/VIOLET | 2 | |
| | 3-1703494-2 | C | Stiftgehaeuse 3pol. MALE HOUSING 3POS. | B | 1 | Stiftgehaeuse MALE HOUSING | PBT-GF30 | schwarz/BLACK | 1c | |
| | 2-170917-1 | 2-1703494-2 | B | Stiftgehaeuse 3pol. MALE HOUSING 3POS. | B | 1 | Kontaktsicherung | PA66-GF35 | violett/VIOLET | 2 |
| | 2-170917-1 | 2-1703494-2 | B | Stiftgehaeuse 3pol. MALE HOUSING 3POS. | B | 1 | Stiftgehaeuse MALE HOUSING | PBT-GF30 | grau/GREY | 1b |
| | 1-1670917-1 | 1-1703494-2 | A | Stiftgehaeuse 3pol. MALE HOUSING 3POS. | B | 1 | Kontaktsicherung | PA66-GF35 | violett/VIOLET | 2 |
| | 1-1670917-1 | 1-1703494-2 | A | Stiftgehaeuse 3pol. MALE HOUSING 3POS. | B | 1 | Stiftgehaeuse MALE HOUSING | PBT-GF30 | schwarz/BLACK | 1a |
| | 2-1670917-1 | 2-1703494-4 | B | Stiftgehaeuse 3pol. MALE HOUSING 3POS. | B | 1 | Kontaktsicherung | PA66-GF35 | violett/VIOLET | 2 |
| | 2-1670917-1 | 2-1703494-4 | B | Stiftgehaeuse 3pol. MALE HOUSING 3POS. | B | 1 | Stiftgehaeuse MALE HOUSING | PBT-GF30 | gelb/YELLOW | 1b |
| | 1-1670917-1 | 1-1703494-4 | A | Stiftgehaeuse 3pol. MALE HOUSING 3POS. | B | 1 | Kontaktsicherung | PA66-GF35 | violett/VIOLET | 2 |
| | 1-1670917-1 | 1-1703494-4 | A | Stiftgehaeuse 3pol. MALE HOUSING 3POS. | B | 1 | Stiftgehaeuse MALE HOUSING | PBT-GF30 | gelb/YELLOW | 1b |
| | 4-1703494-1 | D | Stiftgehaeuse 3pol. MALE HOUSING 3POS. | B | 1 | Kontaktsicherung | PA66-GF35 | violett/VIOLET | 2 | |
| | 4-1703494-1 | D | Stiftgehaeuse 3pol. MALE HOUSING 3POS. | B | 1 | Stiftgehaeuse MALE HOUSING | PBT-GF30 | schwarz/BLACK | 1d | |
| | 3-1703494-1 | C | Stiftgehaeuse 3pol. MALE HOUSING 3POS. | B | 1 | Kontaktsicherung | PA66-GF35 | violett/VIOLET | 2 | |
| | 3-1703494-1 | C | Stiftgehaeuse 3pol. MALE HOUSING 3POS. | B | 1 | Stiftgehaeuse MALE HOUSING | PBT-GF30 | schwarz/BLACK | 1c | |
| | 2-1670917-1 | 2-1703494-1 | B | Stiftgehaeuse 3pol. MALE HOUSING 3POS. | B | 1 | Kontaktsicherung | PA66-GF35 | violett/VIOLET | 2 |
| | 2-1670917-1 | 2-1703494-1 | B | Stiftgehaeuse 3pol. MALE HOUSING 3POS. | B | 1 | Stiftgehaeuse MALE HOUSING | PBT-GF30 | grau/GREY | 1b |
| | 1-1670917-1 | 1-1703494-1 | A | Stiftgehaeuse 3pol. MALE HOUSING 3POS. | B | 1 | Kontaktsicherung | PA66-GF35 | violett/VIOLET | 2 |
| | 1-1670917-1 | 1-1703494-1 | A | Stiftgehaeuse 3pol. MALE HOUSING 3POS. | B | 1 | Stiftgehaeuse MALE HOUSING | PBT-GF30 | schwarz/BLACK | 1a |

单击下面可查看定价，库存，交付和生命周期等信息

[>>TE Connectivity\(泰科\)](#)