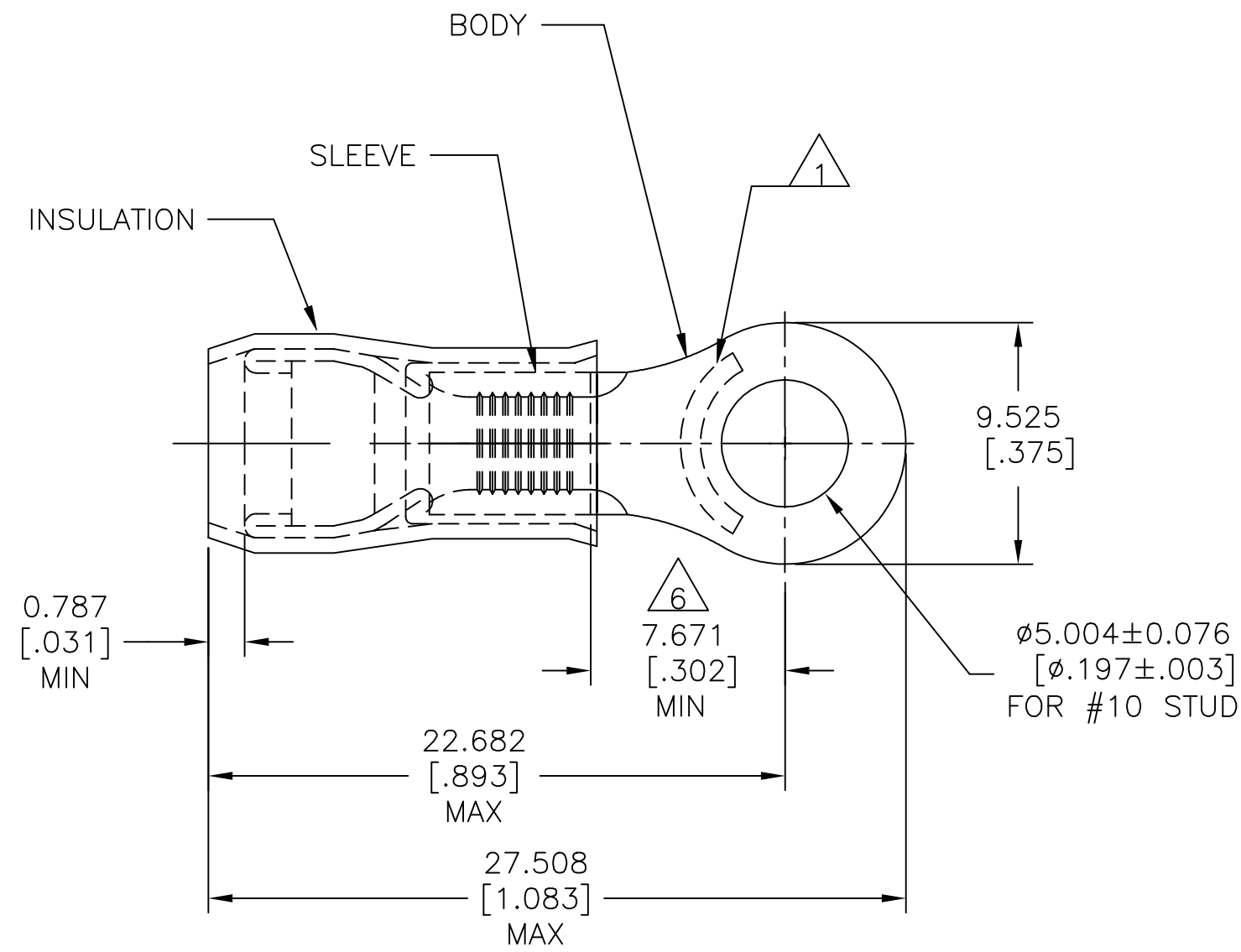


REVISIONS					
P	LTR	DESCRIPTION	DATE	DWN	APVD
	S3	REVISED PER ECO-16-004986	20JUN2016	NK	DR
	S4	REVISED PER ECO-17-007400	01DEC2017	RS	DR

AMP WIRE RANGE	E13288 Listed
12-10 AWG SOLID OR STRANDED	12-10 AWG SOLID OR STRANDED
LR7189 Certified	
12-10 AWG SOLID OR STRANDED	

- △1 STAMP "AMP 12-10*" APPROX AS SHOWN.
- 2 WIRE INSULATION: $\phi 3.810-6.350[\phi .150-.250]$.
- 3 BODY MATERIAL THK: $0.991\pm 0.051[.039\pm .002]$.
- △4 BODY & SLEEVE: TIN PLATE $0.00254[.000100]$ MIN EXT THK PER ASTM B545.
- △5 BODY & SLEEVE- CU PER ASTM B152
INSULATION - NYLON PER ASTM D4066
COLOR - YELLOW.
- △6 APPLIES FROM EDGE OF METAL WIRE BARREL
TO CENTER OF STUD HOLE.
- △7 MEETS MS25036-112, CLASS 1 & 2.
- △8 MEETS MS25036-112, CLASS 2.



	100	LOOSE PIECE, BOX	8-35109-1
	2500	ON TAPE & REEL	△8 2-35109-1
	500	LOOSE PIECE	△7 35109
	QTY	PACKAGE TYPE	PART NO

AMP INCORPORATED
 CUSTOMER SERVICE SYSTEMS

FOR ADDITIONAL PRODUCT INFORMATION OR COPIES OF DRAWINGS AND TECHNICAL DOCUMENTS	PRODUCT INFORMATION CENTER 1-800-522-6752	MAX RECOMMENDED OPERATING TEMPERATURE: 105°C[221°F] MAX VOLTAGE RATING: 300 VOLT MAX CIRCULAR MIL AREA: 2.62-6.64mm ² [5,180-13,100] STRANDED OR SOLID
FOR APPLICATION TOOLING INFORMATION	TOOLING ASSISTANCE CENTER 1-800-722-1111	
FOR ORDER ENTRY	1-800-526-5142	

THIS DRAWING IS A CONTROLLED DOCUMENT.	
DIMENSIONS: mm [INCHES]	TOLERANCES UNLESS OTHERWISE SPECIFIED:
	0 PLC ± - 1 PLC ± - 2 PLC ± - 3 PLC ± 0.127[.005] 4 PLC ± - ANGLES ± -
MATERIAL △5	FINISH △4

DWN JR RUTH 16DEC09	TE Connectivity	NAME		
CHK T MICHIELUTTI 16DEC09		TERMINAL, RING TONGUE, PIDG WIRE SIZE: 12-10 AWG		
APVD T MICHIELUTTI 16DEC09		SIZE	CAGE CODE	DRAWING NO
PRODUCT SPEC UL486A-B		A3	00779	C=35109
APPLICATION SPEC 114-2157	WEIGHT	RESTRICTED TO		
CUSTOMER DRAWING	-	SCALE	4:1	
		SHEET	1 OF 1	
		REV	S4	

单击下面可查看定价，库存，交付和生命周期等信息

[>>TE Connectivity\(泰科\)](#)