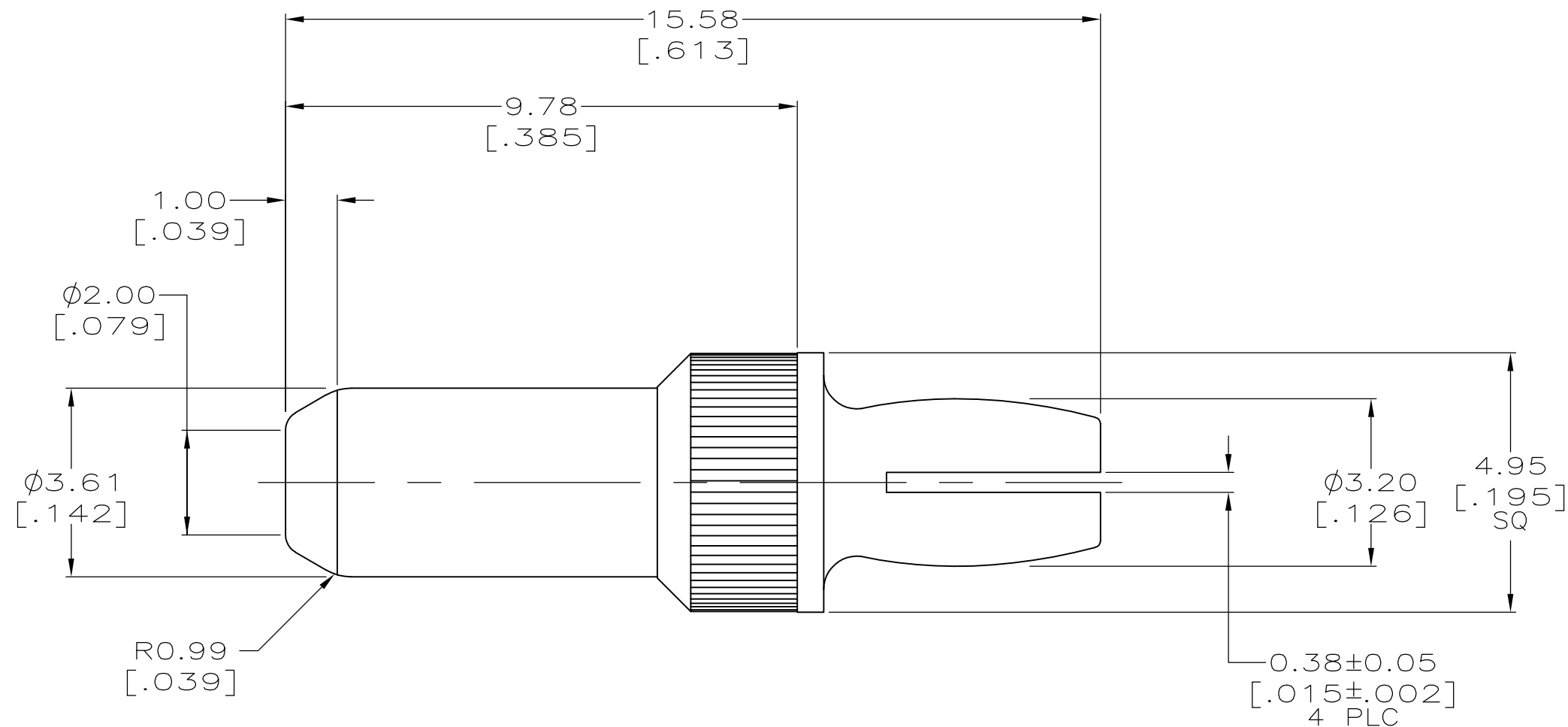


THIS DRAWING IS UNPUBLISHED. RELEASED FOR PUBLICATION
 © COPYRIGHT BY TYCO ELECTRONICS CORPORATION. ALL RIGHTS RESERVED.

LOC		DIST		REVISIONS			
P	LTR	DESCRIPTION	DATE	DWN	APVD		
AD	00						
	B	REV PER EC 0S12-0302-05	05DEC05	BC	GS		
	C	ECR-10-019054	15SEP10	DP	MQW		



- ① CONTACT: COPPER ALLOY.
- ② CONTACT: 0.76µm[.000030] MIN GOLD OVER 1.27µm[.000050] MIN NICKEL.
- 3. COMPLIANT PIN REQUIRES A 2.36[.093] MIN THICK PC BOARD. DRILLED HOLES ARE $\phi 3.13 \pm 0.08$ [.123±.003] WITH 0.05±0.025[.002±.001] COPPER AND 0.005[.0001] MIN TIN-LEAD. FINISHED HOLE SIZE TO BE 3±0.08[.118±.003].

148546-1
 PART NUMBER

THIS DRAWING IS A CONTROLLED DOCUMENT.		DWN B.CARBO 25 AUG 99	Tyco Electronics Corporation Harrisburg, PA 17105-3608																			
DIMENSIONS: mm [INCHES]		CHK C.RICHARD 25 AUG 99																				
TOLERANCES UNLESS OTHERWISE SPECIFIED:		APVD C.RICHARD 25 AUG 99																				
<table border="1"> <tr><td>0-PLC</td><td>±</td><td>±0.2</td></tr> <tr><td>1-PLC</td><td>±</td><td></td></tr> <tr><td>2-PLC</td><td>±</td><td>0.13 [.005]</td></tr> <tr><td>3-PLC</td><td>±</td><td></td></tr> <tr><td>4-PLC</td><td>±</td><td></td></tr> <tr><td>ANGLES</td><td>±</td><td></td></tr> </table>		0-PLC	±	±0.2	1-PLC	±		2-PLC	±	0.13 [.005]	3-PLC	±		4-PLC	±		ANGLES	±		PRODUCT SPEC	NAME POWER CONTACT, MALE, PRESS FIT, (40 AMP)	
0-PLC	±	±0.2																				
1-PLC	±																					
2-PLC	±	0.13 [.005]																				
3-PLC	±																					
4-PLC	±																					
ANGLES	±																					
MATERIAL ①		FINISH ②	APPLICATION SPEC	SIZE A3	CAGE CODE 00779	DRAWING NO C-148546	RESTRICTED TO															
CUSTOMER DRAWING			WEIGHT -	SCALE 10:1	SHEET 1 of 1	REV C																

单击下面可查看定价，库存，交付和生命周期等信息

[>>TE Connectivity\(泰科\)](#)