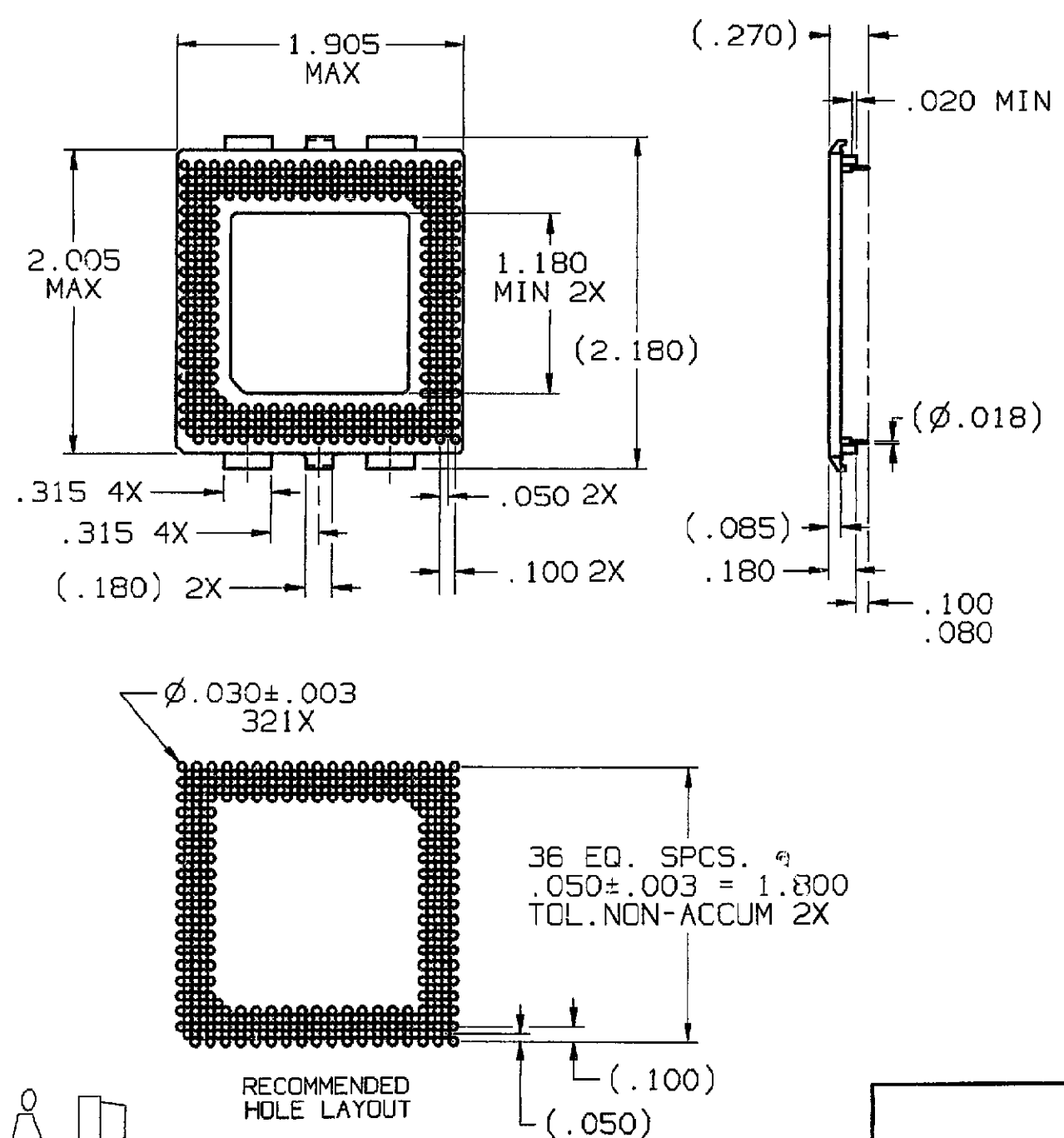


| CONVERSION CHART | |
|------------------|-------|
| INCH | MM |
| .018 | 0,46 |
| .020 | 0,51 |
| .030 | 0,77 |
| .050 | 1,27 |
| .085 | 2,16 |
| .100 | 2,54 |
| .100 | 2,54 |
| .080 | 2,04 |
| .180 | 4,57 |
| .270 | 6,86 |
| .315 | 8,00 |
| 1.180 | 29,97 |
| 1.905 | 48,39 |
| 2.005 | 50,93 |
| 2.180 | 55,37 |



SPECIFICATIONS

MATERIALS:
 INSULATOR: THERMOPLASTIC POLYESTER UL RATED 94V-0
 CONTACT: COPPER ALLOY, GOLD PLATE
 SLEEVE: COPPER ALLOY, TIN/LEAD PLATED.

ELECTRICAL:
 CONTACT RESISTANCE: 10 MILLIOHMS MAX.
 CONTACT RATING: 3 AMPS
 CAPACITANCE: 1.0 pF PER MIL-STD-202, METHOD 305.
 DIELECTRIC WITHSTANDING VOLTAGE: 1000 VOLTS (RMS) PER MIL-STD-1344, METHOD 3001.1

MECHANICAL:
 INSERTION FORCE: 37 GRAMS AVERAGE WHEN MEASURED WITH Ø.018 POLISHED STEEL PIN.
 WITHDRAWAL FORCE: 15 GRAMS AVERAGE WHEN MEASURED WITH Ø.018 POLISHED STEEL PIN.

ENVIRONMENTAL:
 OPERATION TEMPERATURE: -55°C TO +105°C

NOTES: UNLESS OTHERWISE SPECIFIED
 1. INTERPRET DRAWING PER ASME Y14.5M-1994.

THIS IS A C.A.D. GENERATED DRAWING. DO NOT MAKE MANUAL REVISIONS TO MASTER.

OUTLINE DRAWING
 SPECIFICATIONS ARE SUBJECT TO CHANGES WITHOUT NOTICE

| REV | DESCRIPTION |
|-----|--------------------------|
| 0 | PRELIM. RELEASE |
| 1 | ESR# A6743 |
| 2 | T.D. 7-27-95 |
| 3 | APP'D [Signature] 8-3-95 |

THIRD ANGLE PROJECTION

TOLERANCES (EXCEPT AS NOTED)
 DECIMAL .XXX = .010
 MM .XXX = 0,25

AUGAT CONFIDENTIAL
 This document contains information which is the exclusive property of Augat Inc. Distribution, reproduction or use by others is not permitted without the expressed written consent of Augat Inc.

| | |
|--|-----------------------------------|
| UNLESS OTHERWISE SPECIFIED DIMENSIONS ARE IN INCHES DO NOT SCALE PRINT | ORIGINAL DATE OF DRAWING: 7-27-95 |
| FILE NAME: 7D37B6DL | DIRECTORY: PS25401N |
| MATERIAL: SEE ABOVE | DRAWN: TRU-D |
| FINISH: SEE ABOVE | CHECKED: DATE: |
| | APPROVED: [Signature] 8-3-95 |
| | CODE IDENT. NO. 91506 |
| | DWG. SIZE B |
| | NEXT ASSY: |

| | |
|---|--------------|
| AUGAT INC. 452 JOHN DIETSCH BLVD. ATTLEBORO FALLS, MA. 02763 | |
| TITLE: OUTLINE DRAWING | |
| SOCKET ASSEMBLY | |
| DWG. NO. PIM321-7D37B6-V | REV. 0 |
| PRODUCT CODE: 162 | |
| SCALE: NONE | SHEET 1 OF 1 |

CADD130908

FIRST DESIGNED FOR:

单击下面可查看定价，库存，交付和生命周期等信息

[>>TE Connectivity\(泰科\)](#)