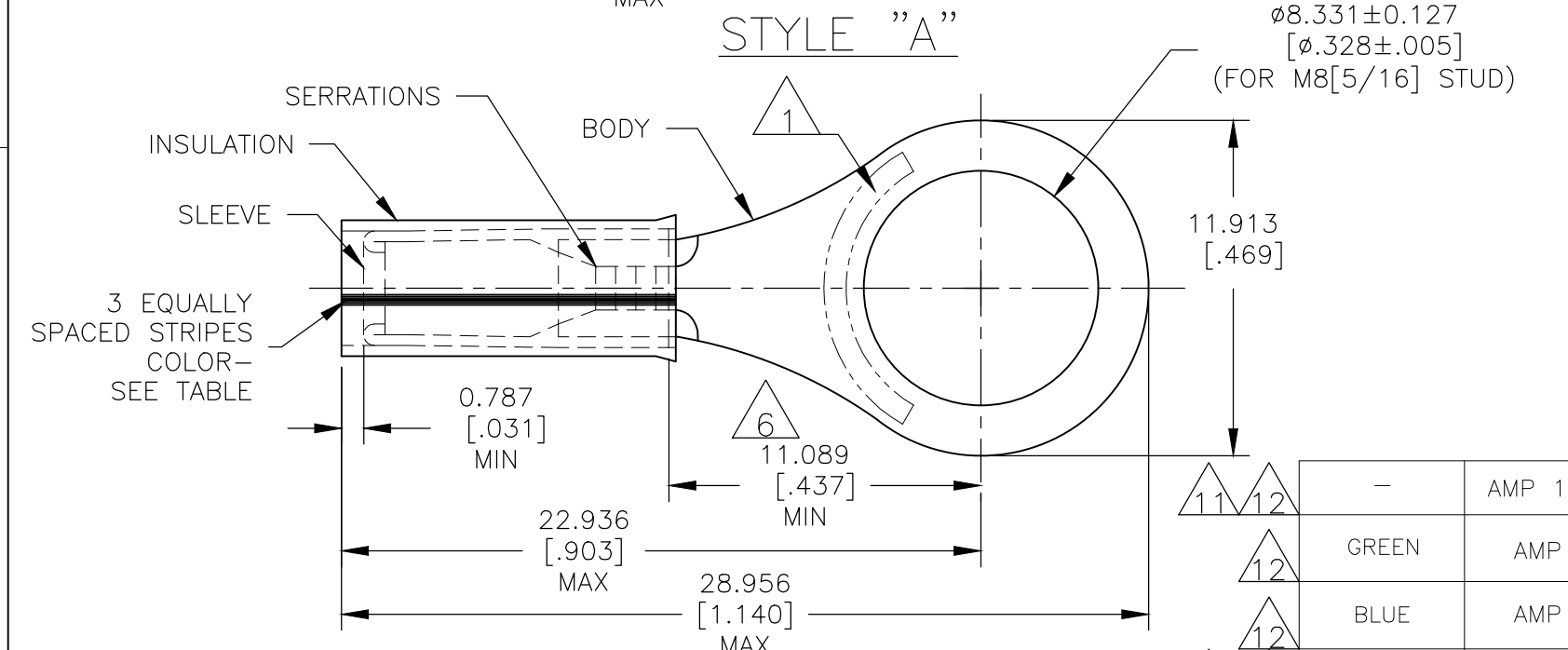
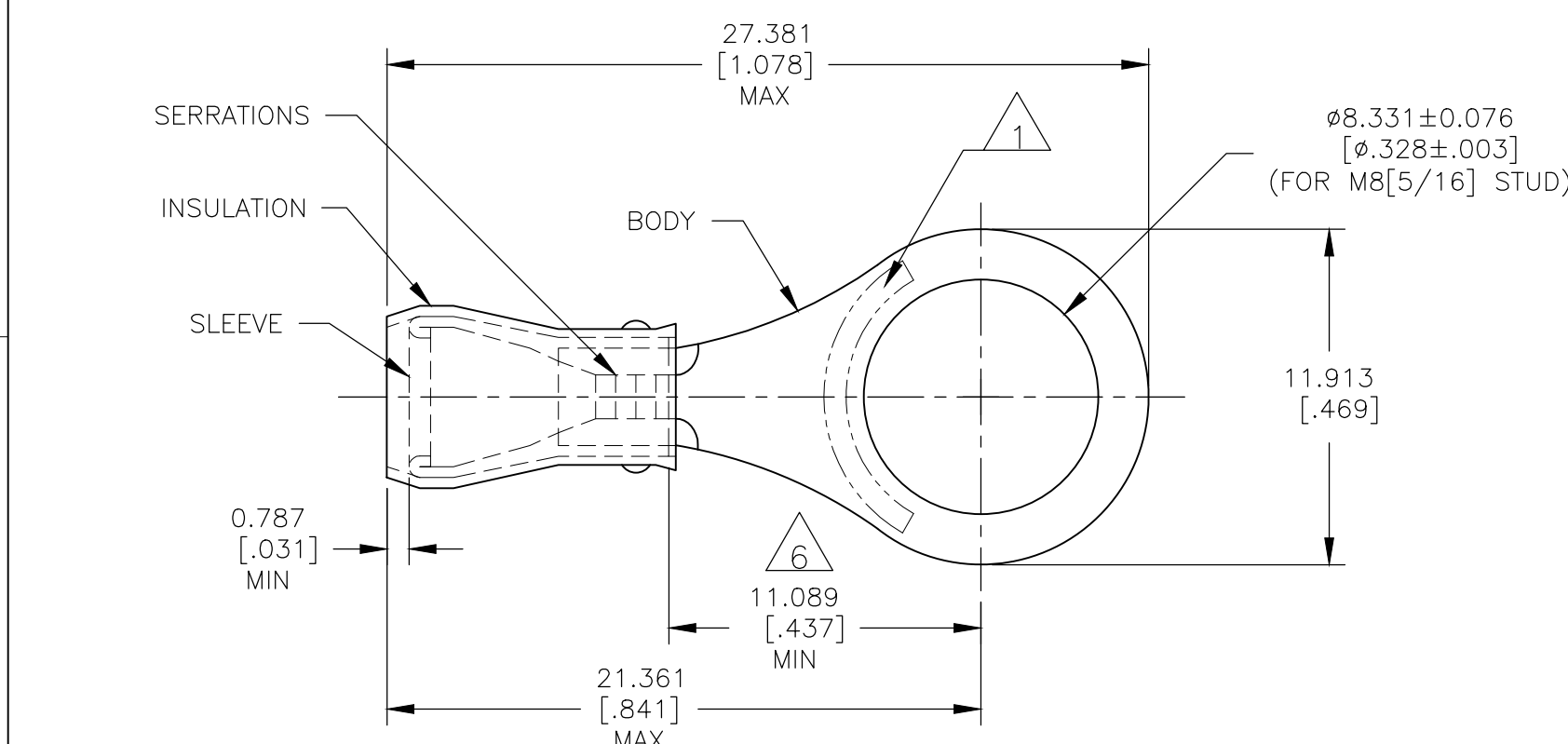


THIS DRAWING IS UNPUBLISHED. RELEASED FOR PUBLICATION
 © COPYRIGHT - By - ALL RIGHTS RESERVED.

REVISIONS					
P	LTR	DESCRIPTION	DATE	DWN	APVD
	S1	REVISED PER ECO-17-007400	15DEC2017	RS	DR
	S2	REVISED PER ECO-19-007720	21MAY2020	KR	DR

AMP WIRE RANGE	Listed FILE E13288	LR7189 Certified
16-14 AWG SOLID OR STRANDED IR: STRANDED	16-14 AWG STRANDED	16-14 AWG SOLID OR STRANDED IR: STRANDED

- △1 STAMP (SEE TABLE) APPROX AS SHOWN.
- 2 WIRE INSULATION DIA: SEE TABLE.
- 3 BODY MATERIAL THK: 0.787±0.051[.031±.002]
- △4 BODY & SLEEVE: TIN PLATE PER ASTM B545
INSULATION: NYLON ASTM D4066, TYPE 1.
- △5 BODY & SLEEVE- COPPER PER ASTM B152
INSULATION - COLOR - BLUE.
- △6 APPLIES FROM EDGE OF METAL WIRE BARREL
TO CENTER OF STUD HOLE.
- △7 MEETS MS25036-109, CLASS 1 & 2.
- △8 MEETS MS25036-109, CLASS 2.
- △9 MEETS M7928/1-44, CLASS 1 & 2.
- △10 MEETS M7928/1-53, CLASS 1 & 2.
- △11 UL LISTED
- △12 CSA CERTIFIED



△11	△12		AMP	WIRE INS. DIA	WIRE SIZE	STYLE	QTY	PACKAGE TYPE	PART NO
		-	AMP 16-14*	2.667-3.810[.105-.150]	16-14	"A"	4000	ON TAPE	△8 2-320575-1
		GREEN	AMP 14*	1.981-3.302[.078-.130]	14	"B"	1000	INSULATION RESTRICTING LOOSE PIECE	△10 2-320575-3
		BLUE	AMP 16*	1.600-3.302[.063-.130]	16	"B"	1000	INSULATION RESTRICTING LOOSE PIECE	△9 2-320575-2
		-	AMP 16-14*	2.667-3.810[.105-.150]	16-14	"A"	1000	LOOSE PIECE	△7 320575

AMP INCORPORATED CUSTOMER SERVICE SYSTEMS		MAX RECOMMENDED OPERATING TEMPERATURE: 105°C [221°F]	THIS DRAWING IS A CONTROLLED DOCUMENT.		DWN JR RUTH 09SEPT09	TE Connectivity				
FOR ADDITIONAL PRODUCT INFORMATION OR COPIES OF DRAWINGS AND TECHNICAL DOCUMENTS	PRODUCT INFORMATION CENTER 1-800-522-6752	VOLTAGE RATING: 300 V MAX	DIMENSIONS: mm [INCHES]	TOLERANCES UNLESS OTHERWISE SPECIFIED: 0 PLC ± - 1 PLC ± - 2 PLC ± - 3 PLC ± 0.127[.005] 4 PLC ± - ANGLES ± -	CHK T MICHIELUTTI 09SEPT09					NAME TERMINAL, RING TONGUE, PIDG (16-14 AWG) PIDG IR (16 & 14 AWG)
FOR APPLICATION TOOLING INFORMATION	TOOLING ASSISTANCE CENTER 1-800-722-1111	CIRCULAR MIL AREA: 1.04-2.62mm² [2,050-5,180] SOLID OR STRANDED		MATERIAL	APVD T MICHIELUTTI 09SEPT09	PRODUCT SPEC UL 486 A-B △11	SIZE A3	CAGE CODE 00779	DRAWING NO C-320575	RESTRICTED TO
FOR ORDER ENTRY	1-800-526-5142	THIS DRAWING IS A CONTROLLED DOCUMENT FOR AMP INCORPORATED. IT IS SUBJECT TO CHANGE AND THE CONTROLLING ENGINEERING ORGANIZATION SHOULD BE CONTACTED FOR THE LATEST REVISION.	△5	FINISH	APPLICATION SPEC 114-2157	WEIGHT -	SCALE 4:1		SHEET 1 OF 1	REV S2

单击下面可查看定价，库存，交付和生命周期等信息

[>>TE Connectivity\(泰科\)](#)