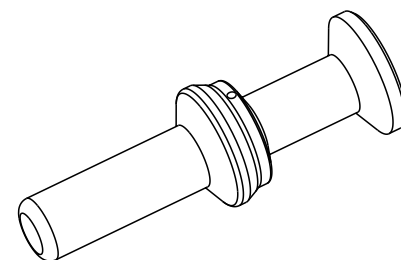
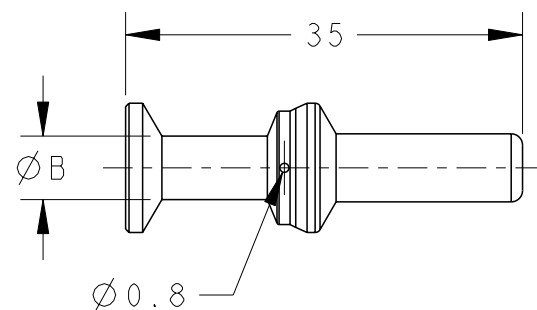


THIS DRAWING IS UNPUBLISHED. RELEASED FOR PUBLICATION 20

© COPYRIGHT 20 BY - ALL RIGHTS RESERVED.

REVISIONS

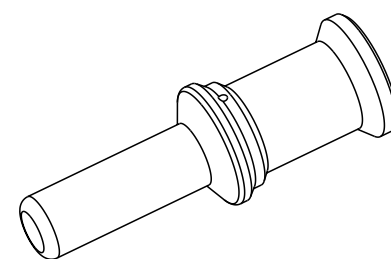
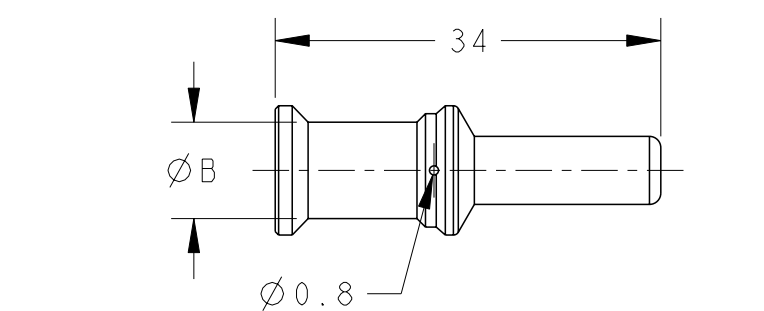
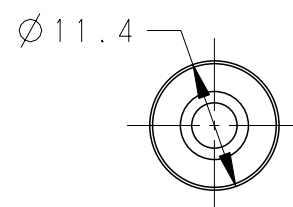
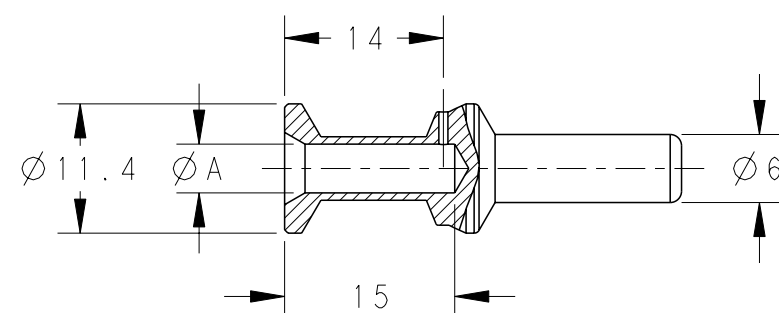
P	LTR	DESCRIPTION	DATE	DWN	APVD
	A	INITIAL	15MAY2015	DW	CW
	A1	ECR-16-015170	11JAN2017	YC	CW
	B	ECR-19-018087	22NOV2019	YC	CW
	B1	ECR-21-125167	4JAN2022	GY	CW



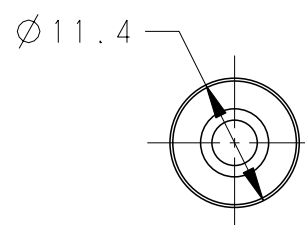
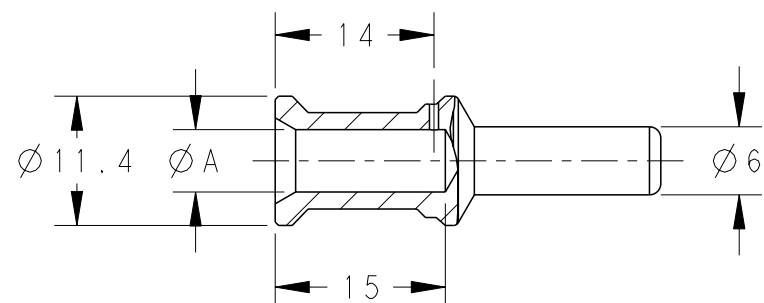
TYPE 1:  
CSM-10 T2400001100-000  
类型 1:  
CSM-10 T2400001100-000

NOTES:  
1. TECHNICAL CHARACTERISTICS:  
CONTACT MATERIAL: BRASS  
SURFACE PLATING:  
SILVER PLATING:  $\geq 2\mu\text{m}$   
CONTACT RESISTANCE:  $\leq 1.5\text{m}\Omega$   
WIRE RANGE: 6.0-25mm<sup>2</sup>

注释:  
1. 技术参数:  
公针材料: 黄铜  
表面电镀:  
镀银:  $\geq 2\mu\text{m}$   
接触电阻:  $\leq 1.5\text{m}\Omega$   
接线范围: 6.0-25mm<sup>2</sup>



TYPE 2:  
CSM-16 T2400001160-000  
类型 2:  
CSM-16 T2400001160-000



THIS DRAWING IS A CONTROLLED DOCUMENT.

DWN 15MAY2015  
DAVID WANG  
CHK 15MAY2015  
CHRIS WANG  
APVD 15MAY2015  
XIANG XU



DIMENSIONS:	TOLERANCES UNLESS OTHERWISE SPECIFIED:
mm	
	0 PLC ±-
	1 PLC ±-
	2 PLC ±-
	3 PLC ±-
	4 PLC ±-
	ANGLES ±-
	FINISH ±-

PRODUCT SPEC  
108-137059  
APPLICATION SPEC  
114-137059  
WEIGHT  
-

NAME  
CSM  
SS PIN CONTACT

SIZE	CAGE CODE	DRAWING NO	RESTRICTED TO
A300779	C	T2400001XX0000	-

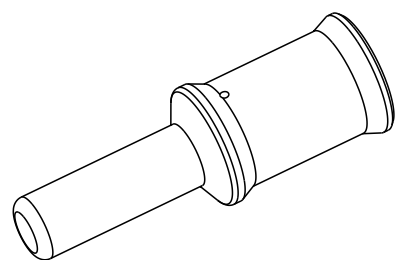
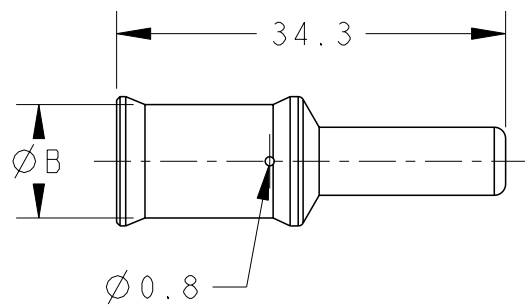
MATERIAL  
-  
FINISH  
-

CUSTOMER DRAWING SCALE 3:2 SHEET 1 OF 2 REV B1

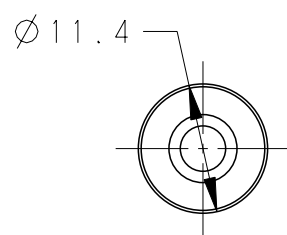
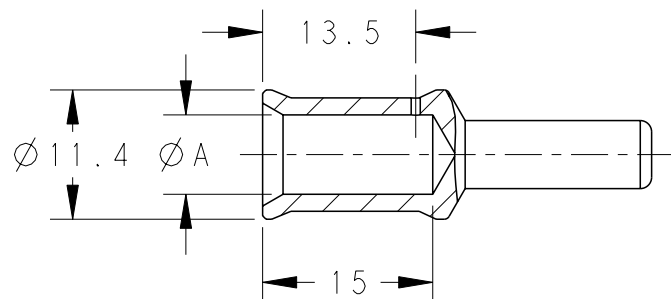
Printed on 4 Jan 2022 16:33 (China Standard Time) from TE152312

THIS DRAWING IS UNPUBLISHED. RELEASED FOR PUBLICATION 20  
 © COPYRIGHT 20 BY - ALL RIGHTS RESERVED.

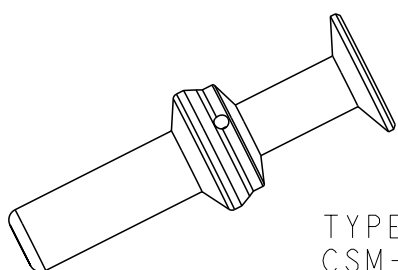
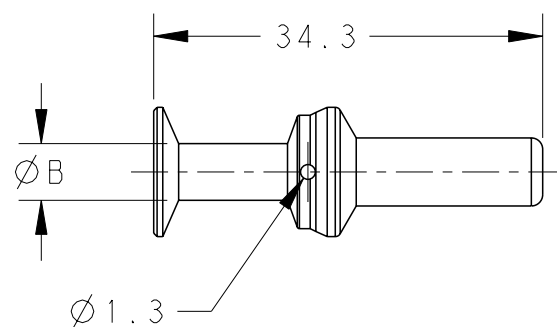
REVISIONS					
P	LTR	DESCRIPTION	DATE	DWN	APVD
-		SEE SHEET 1	-	-	-



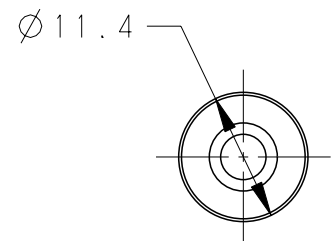
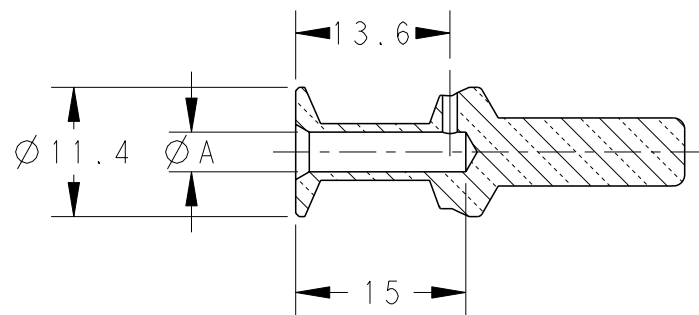
NOTES:  
 SEE SHEET 1.  
 注释:  
 见SHEET 1.



TYPE 3:  
 CSM-25 T2400001250-000  
 类型 3:  
 CSM-25 T2400001250-000



TYPE 4:  
 CSM-6.0 T2400001060-000  
 类型 4:  
 CSM-6.0 T2400001060-000



T2400001100-000	CSM-10	CSM-10, SILVER PLATING / SS公针 10mm <sup>2</sup> , 镀银	4.3	5.6	10	15	TYPE 1	
T2400001160-000	CSM-16	CSM-16, SILVER PLATING / SS公针 16mm <sup>2</sup> , 镀银	5.5	8.5	16		TYPE 2	
T2400001250-000	CSM-25	CSM-25, SILVER PLATING / SS公针 25mm <sup>2</sup> , 镀银	7.0	10.0	25		TYPE 3	
T2400001060-000	CSM-6.0	CSM-6.0, SILVER PLATING / SS公针 6.0mm <sup>2</sup> , 镀银	3.5	5.0	6		TYPE 4	
PART NUMBER 料号	PART DESCRIPTION 描述			ØA	ØB	WIRE GAUGE 线规(mm <sup>2</sup> )	STRIPPING LENGTH(mm) 剥线长度	TYPE 类型

THIS DRAWING IS A CONTROLLED DOCUMENT.

DIMENSIONS: mm	TOLERANCES UNLESS OTHERWISE SPECIFIED: 0 PLC ±- 1 PLC ±- 2 PLC ±- 3 PLC ±- 4 PLC ±- ANGLES ±-	DWN 15MAY2015 DAVID WANG CHK 15MAY2015 CHRIS WANG APVD 15MAY2015 XIANG XU		
MATERIAL	FINISH	PRODUCT SPEC 108-137059 APPLICATION SPEC 114-137059 WEIGHT	NAME CSM SS PIN CONTACT	
-	-	CUSTOMER DRAWING	SIZE A3	CAGE CODE 00779
-	-	SCALE 3:2	DRAWING NO T2400001XX0000	RESTRICTED TO -
			SHEET 2 OF 2	REV B1

Printed on 4 Jan 2022 16:33 (China Standard Time) from TE152312

单击下面可查看定价，库存，交付和生命周期等信息

[>>TE Connectivity\(泰科\)](#)