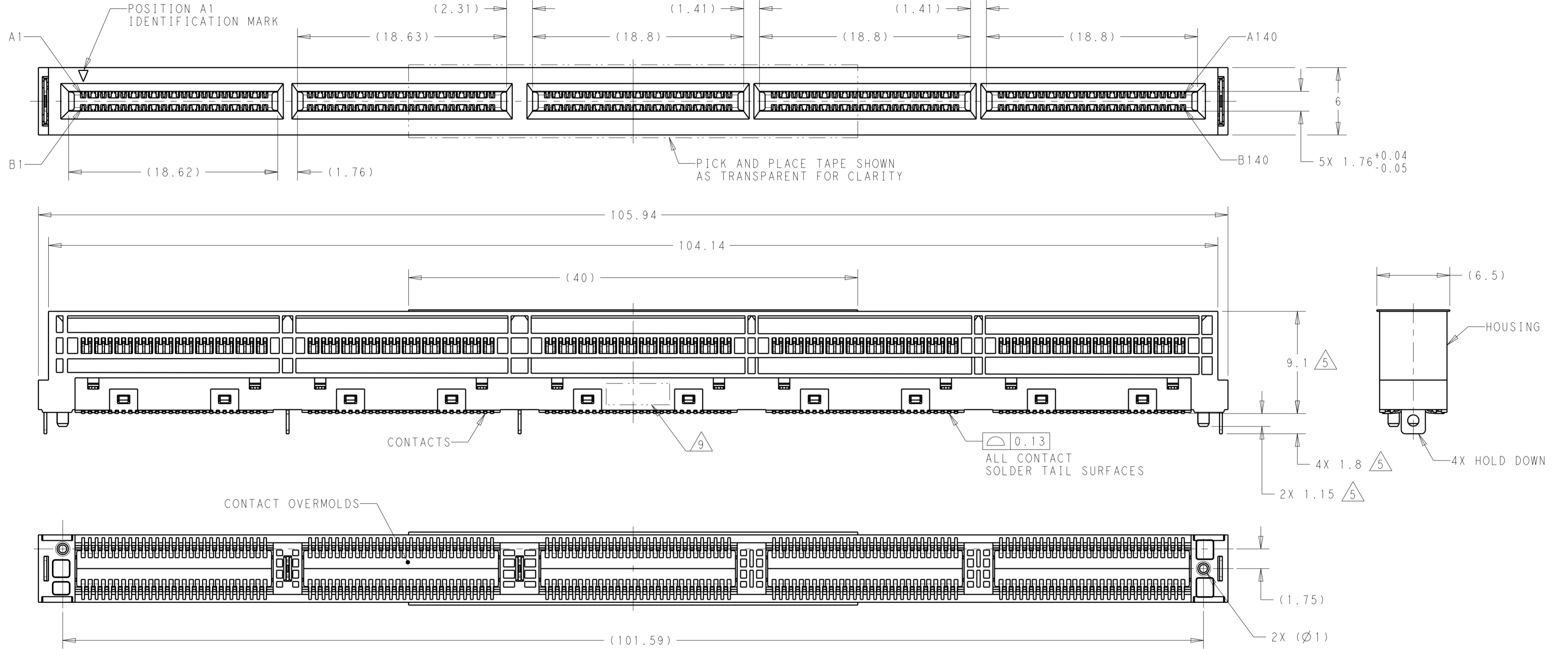


THIS DRAWING IS UNPUBLISHED. RELEASED FOR PUBLICATION 20
 © COPYRIGHT 20 BY - ALL RIGHTS RESERVED.

| REVISIONS | | | | | |
|-----------|-----|---------------------------|-----------|-----|------|
| P | LTR | DESCRIPTION | DATE | DWN | APVD |
| A | | RELEASED | 17MAY2019 | CJV | JW |
| B | | REVISED PER ECO-19-013560 | 03SEP2019 | CJV | JW |



- 1 HOUSING AND CONTACT OVERMOLDS - LCP, BLACK, UL94V-0 RATED.
CONTACTS AND HOLD DOWNS - COPPER ALLOY.
PICK AND PLACE TAPE - POLYIMIDE FILM.
- 2 CONTACTS - GOLD PLATE ON MATING SURFACES,
TIN PLATE ON SOLDER FEET.
HOLD DOWNS - TIN PLATE.
- 3 DATUMS AND BASIC DIMENSIONS ESTABLISHED BY CUSTOMER.
- 4. DESIGNED FOR A 1.5 MIN THICK HOST PC BOARD.
- 5 DIMENSION APPLIES FROM CONTACT TAILS.
- 6 PINOUT AND PAD SEQUENCE MAY VARY BY APPLICATION.

- 7 POSITIONS DESIGNATED AS "SIGNAL" ARE REQUIRED LOCATIONS FOR HIGH SPEED DIFFERENTIAL PAIR SIGNALING. THESE LOCATIONS MAY ALSO BE USED FOR SUPPORTING SIDEBAND SIGNALS OR OTHER UTILITY PURPOSES. POSITIONS DESIGNATED AS "GROUND" ARE REQUIRED WHEN SUPPORTING HIGH SPEED DIFFERENTIAL SIGNALS. THESE LOCATIONS MAY ALSO BE USED FOR SIDEBAND SIGNALS OR OTHER UTILITY PURPOSES.
- 8 COMPONENT AND TRACE KEEP OUT AREA. EACH EDGE 0.15 MIN FROM EDGE OF HOLE.
- 9 DATE CODE MARKED IN APPROXIMATE AREA SHOWN.
- 10. MATES WITH BOARDS DESIGNED TO THE SFF-TA-1002 SPECIFICATION.

| PACKAGING | PLATING | PICK AND PLACE TAPE | MATING CYCLES | PART NUMBER |
|-----------|----------------|---------------------|---------------|-------------|
| HARD TRAY | 0.76µm Au | NO | 200 | 1-2328461-2 |
| HARD TRAY | 0.76µm Au | YES | 200 | 1-2328461-1 |
| HARD TRAY | 0.38µm Au | YES | 100 | 2328461-2 |
| HARD TRAY | FLASH Au/Pd Ni | YES | 50 | 2328461-1 |

THIS DRAWING IS A CONTROLLED DOCUMENT.

DWN M. SHIRK 24APR2018
 CHK J. WESTMAN 24APR2018
 APVD -

STE TE Connectivity

NAME RECEPTACLE CONNECTOR, VERTICAL, 280 POSITION, SLIVER 2.0

PRODUCT SPEC 108-130022
 APPLICATION SPEC 114-130011

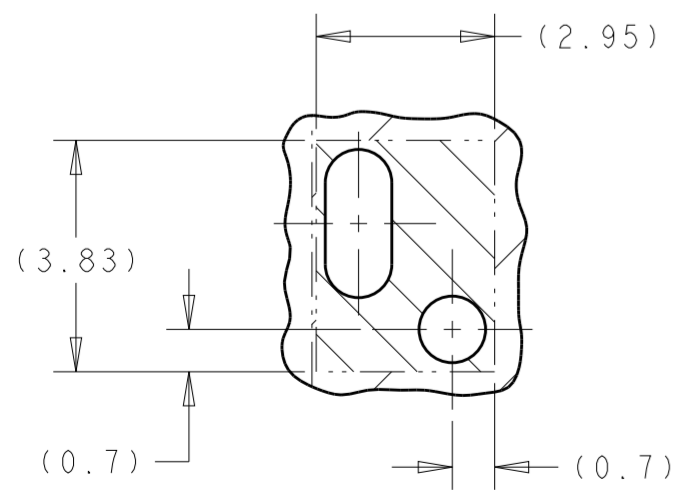
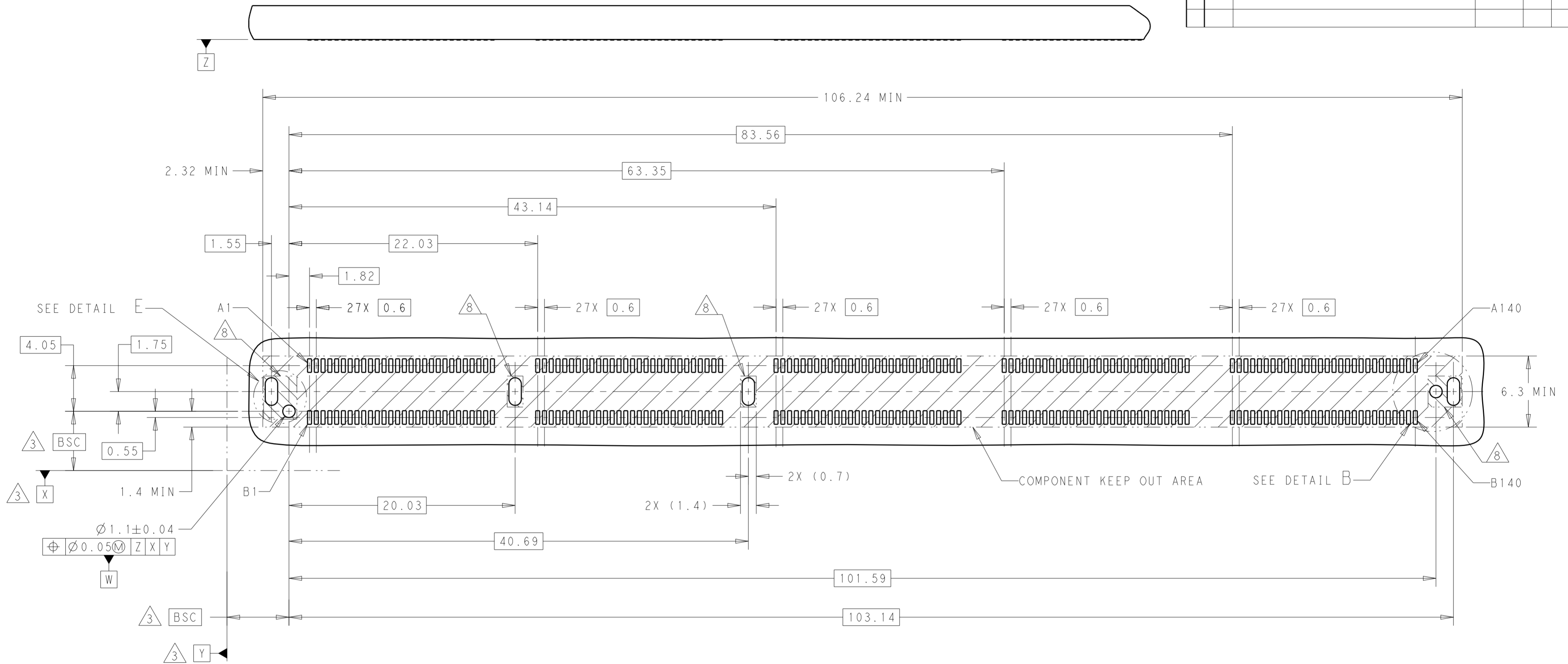
SIZE A2 CAGE CODE 00779 DRAWING NO C-2328461 RESTRICTED TO

MATERIAL 1 TOLERANCES UNLESS OTHERWISE SPECIFIED: 2

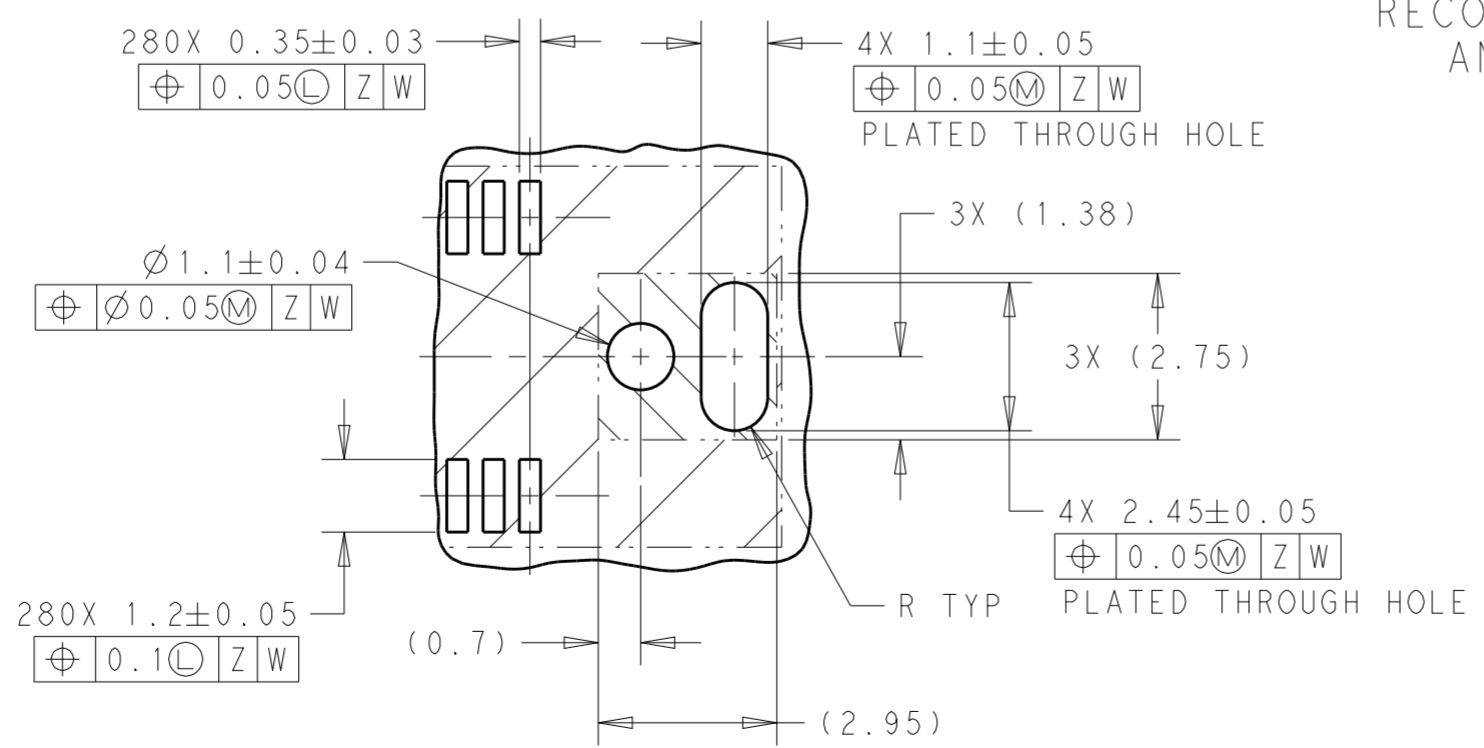
0 PLC ±-
 1 PLC ±0.1
 2 PLC ±0.1
 3 PLC ±-
 4 PLC ±-
 ANGLES ±5°
 FINISH

CUSTOMER DRAWING SCALE 4:1 SHEET 1 OF 4 REV B

| REVISIONS | | | | |
|-----------|-----|-------------|------|------|
| P | LTR | DESCRIPTION | DATE | APVD |
| - | - | SEE SHEET 1 | - | - |
| | | | | |
| | | | | |



DETAIL E
SCALE 8:1



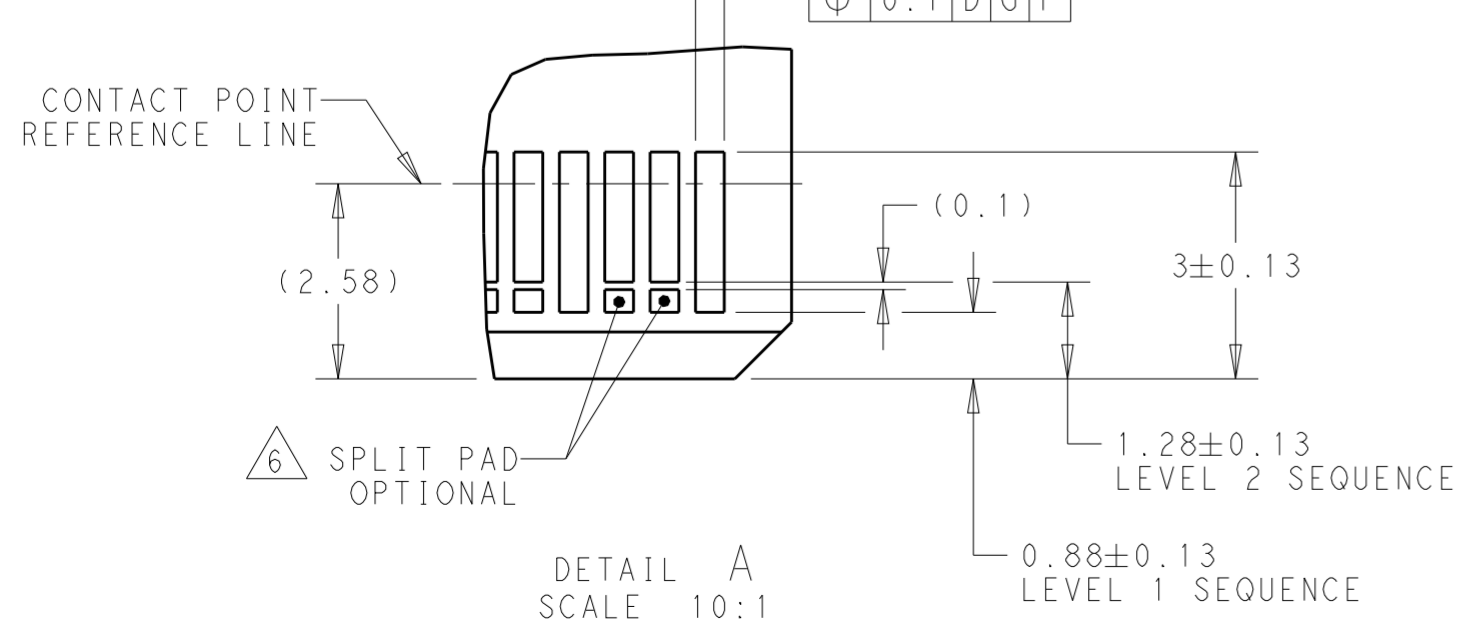
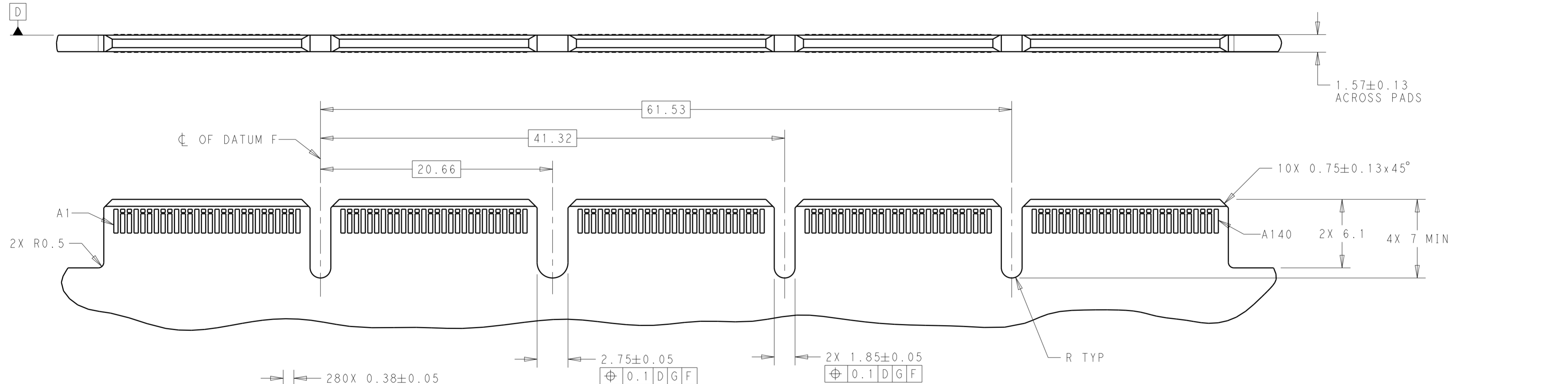
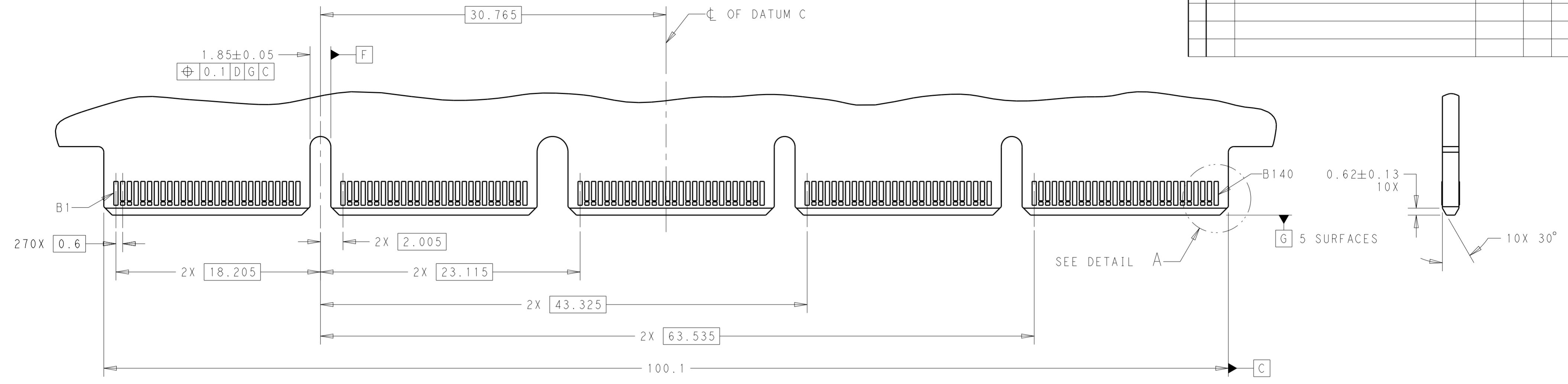
DETAIL B
SCALE 8:1

RECOMMENDED PCB LAYOUT
AND KEEP OUT AREA

| | | | |
|--|--|-----------------------------|---|
| THIS DRAWING IS A CONTROLLED DOCUMENT. | | DWN M. SHIRK 24APR2018 | TE Connectivity |
| | | CHK J. WESTMAN 24APR2018 | |
| DIMENSIONS: mm | | APVD - | NAME RECEPTACLE CONNECTOR, VERTICAL, 280 POSITION, SLIVER 2.0 |
| TOLERANCES UNLESS OTHERWISE SPECIFIED: | | PRODUCT SPEC 108-130022 | SIZE A2 |
| 0 PLC ± | | APPLICATION SPEC 114-130011 | CAGE CODE 00779 |
| 1 PLC ±0.1 | | WEIGHT - | DRAWING NO C-2328461 |
| 2 PLC ±0.1 | | CUSTOMER DRAWING | RESTRICTED TO |
| 3 PLC ± | | SCALE 4:1 | SHEET 2 OF 4 |
| 4 PLC ± | | | REV B |
| ANGLES ±5° | | | |
| FINISH - | | | |

THIS DRAWING IS UNPUBLISHED. RELEASED FOR PUBLICATION 20
 © COPYRIGHT 20 BY - ALL RIGHTS RESERVED.

| REVISIONS | | | | |
|-----------|-----|-------------|------|------|
| P | LTR | DESCRIPTION | DATE | APVD |
| - | - | SEE SHEET 1 | - | - |
| | | | | |
| | | | | |



| | | | | |
|--|--|--------------------------------|---|--|
| THIS DRAWING IS A CONTROLLED DOCUMENT. | | DWN M. SHIRK 24APR2018 | TE Connectivity | |
| | | CHK J. WESTMAN 24APR2018 | | |
| DIMENSIONS: | | APVD - | NAME RECEPTACLE CONNECTOR, VERTICAL, 280 POSITION, SLIVER 2.0 | |
| mm | | PRODUCT SPEC 108-130022 | SIZE A200779 | |
| TOLERANCES UNLESS OTHERWISE SPECIFIED: | | APPLICATION SPEC 114-130011 | CAGE CODE C-2328461 | |
| 0 PLC ±- | | WEIGHT - | DRAWING NO - | |
| 1 PLC ±0.1 | | RESTRICTED TO | | |
| 2 PLC ±0.1 | | SCALE 4:1 SHEET 3 OF 4 REV B | | |
| 3 PLC ±- | | CUSTOMER DRAWING | | |
| 4 PLC ±- | | | | |
| ANGLES ±5° | | | | |
| FINISH - | | | | |

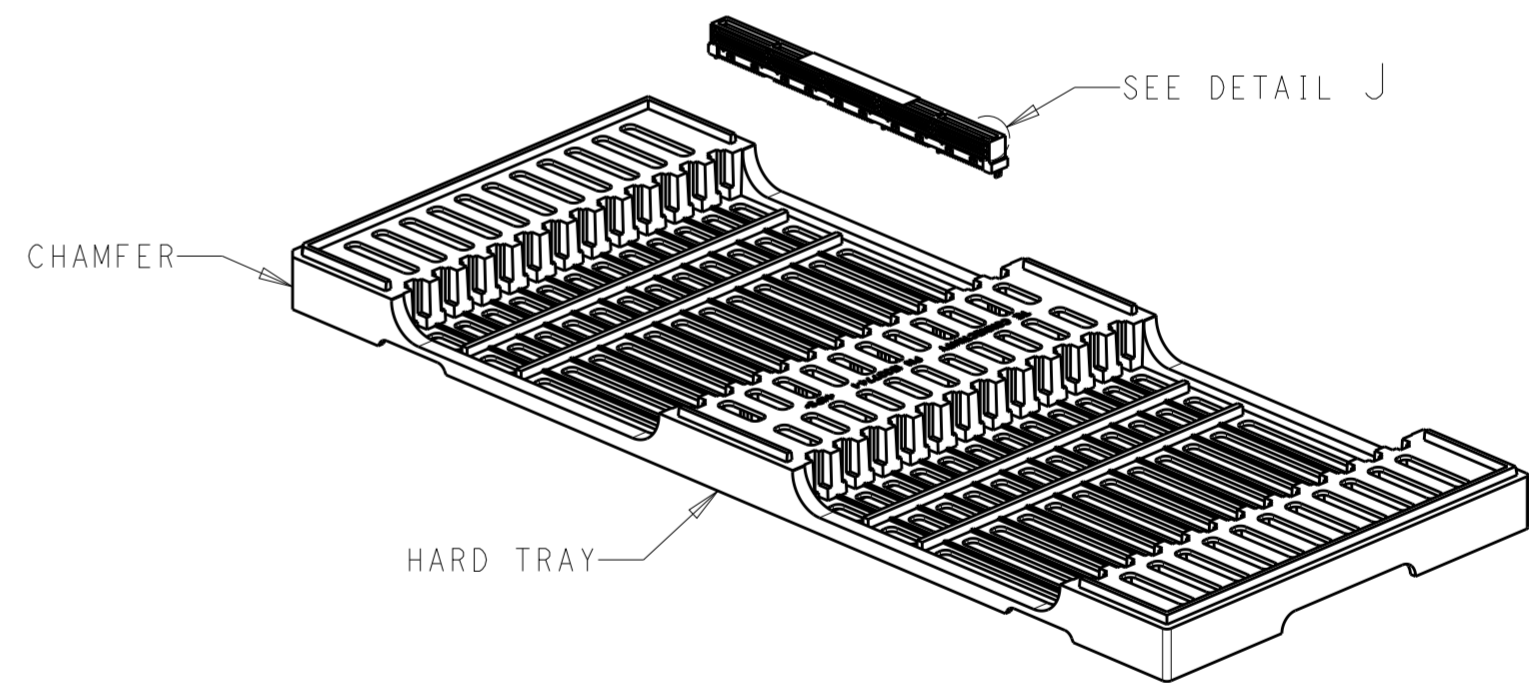
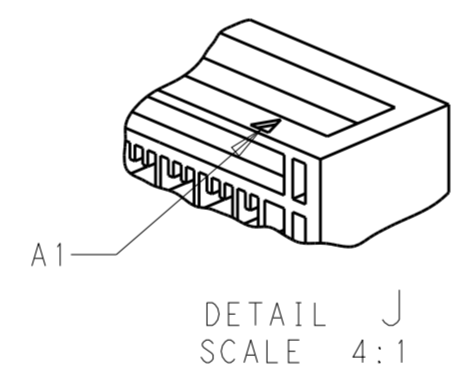
| REVISIONS | | | | |
|-----------|-----|-------------|------|------|
| P | LTR | DESCRIPTION | DATE | APVD |
| - | - | SEE SHEET 1 | - | - |
| | | | | |
| | | | | |

| CONTACT NUMBER | SIDE A | SIDE B |
|----------------|--------|--------|
| 1 | GROUND | GROUND |
| 2 | SIGNAL | SIGNAL |
| 3 | SIGNAL | SIGNAL |
| 4 | GROUND | GROUND |
| 5 | SIGNAL | SIGNAL |
| 6 | SIGNAL | SIGNAL |
| 7 | GROUND | GROUND |
| 8 | SIGNAL | SIGNAL |
| 9 | SIGNAL | SIGNAL |
| 10 | GROUND | GROUND |
| 11 | SIGNAL | SIGNAL |
| 12 | SIGNAL | SIGNAL |
| 13 | GROUND | GROUND |
| 14 | SIGNAL | SIGNAL |
| 15 | SIGNAL | SIGNAL |
| 16 | GROUND | GROUND |
| 17 | SIGNAL | SIGNAL |
| 18 | SIGNAL | SIGNAL |
| 19 | GROUND | GROUND |
| 20 | SIGNAL | SIGNAL |
| 21 | SIGNAL | SIGNAL |
| 22 | GROUND | GROUND |
| 23 | SIGNAL | SIGNAL |
| 24 | SIGNAL | SIGNAL |
| 25 | GROUND | GROUND |
| 26 | SIGNAL | SIGNAL |
| 27 | SIGNAL | SIGNAL |
| 28 | GROUND | GROUND |
| 29 | GROUND | GROUND |
| 30 | SIGNAL | SIGNAL |
| 31 | SIGNAL | SIGNAL |
| 32 | GROUND | GROUND |
| 33 | SIGNAL | SIGNAL |
| 34 | SIGNAL | SIGNAL |
| 35 | GROUND | GROUND |
| 36 | SIGNAL | SIGNAL |
| 37 | SIGNAL | SIGNAL |
| 38 | GROUND | GROUND |
| 39 | SIGNAL | SIGNAL |
| 40 | SIGNAL | SIGNAL |
| 41 | GROUND | GROUND |
| 42 | SIGNAL | SIGNAL |
| 43 | SIGNAL | SIGNAL |
| 44 | GROUND | GROUND |
| 45 | SIGNAL | SIGNAL |
| 46 | SIGNAL | SIGNAL |
| 47 | GROUND | GROUND |
| 48 | SIGNAL | SIGNAL |
| 49 | SIGNAL | SIGNAL |
| 50 | GROUND | GROUND |
| 51 | SIGNAL | SIGNAL |
| 52 | SIGNAL | SIGNAL |
| 53 | GROUND | GROUND |
| 54 | SIGNAL | SIGNAL |
| 55 | SIGNAL | SIGNAL |
| 56 | GROUND | GROUND |

| CONTACT NUMBER | SIDE A | SIDE B |
|----------------|--------|--------|
| 57 | GROUND | GROUND |
| 58 | SIGNAL | SIGNAL |
| 59 | SIGNAL | SIGNAL |
| 60 | GROUND | GROUND |
| 61 | SIGNAL | SIGNAL |
| 62 | SIGNAL | SIGNAL |
| 63 | GROUND | GROUND |
| 64 | SIGNAL | SIGNAL |
| 65 | SIGNAL | SIGNAL |
| 66 | GROUND | GROUND |
| 67 | SIGNAL | SIGNAL |
| 68 | SIGNAL | SIGNAL |
| 69 | GROUND | GROUND |
| 70 | SIGNAL | SIGNAL |
| 71 | SIGNAL | SIGNAL |
| 72 | GROUND | GROUND |
| 73 | SIGNAL | SIGNAL |
| 74 | SIGNAL | SIGNAL |
| 75 | GROUND | GROUND |
| 76 | SIGNAL | SIGNAL |
| 77 | SIGNAL | SIGNAL |
| 78 | GROUND | GROUND |
| 79 | SIGNAL | SIGNAL |
| 80 | SIGNAL | SIGNAL |
| 81 | GROUND | GROUND |
| 82 | SIGNAL | SIGNAL |
| 83 | SIGNAL | SIGNAL |
| 84 | GROUND | GROUND |
| 85 | GROUND | GROUND |
| 86 | SIGNAL | SIGNAL |
| 87 | SIGNAL | SIGNAL |
| 88 | GROUND | GROUND |
| 89 | SIGNAL | SIGNAL |
| 90 | SIGNAL | SIGNAL |
| 91 | GROUND | GROUND |
| 92 | SIGNAL | SIGNAL |
| 93 | SIGNAL | SIGNAL |
| 94 | GROUND | GROUND |
| 95 | SIGNAL | SIGNAL |
| 96 | SIGNAL | SIGNAL |
| 97 | GROUND | GROUND |
| 98 | SIGNAL | SIGNAL |
| 99 | SIGNAL | SIGNAL |
| 100 | GROUND | GROUND |
| 101 | SIGNAL | SIGNAL |
| 102 | SIGNAL | SIGNAL |
| 103 | GROUND | GROUND |
| 104 | SIGNAL | SIGNAL |
| 105 | SIGNAL | SIGNAL |
| 106 | GROUND | GROUND |
| 107 | SIGNAL | SIGNAL |
| 108 | SIGNAL | SIGNAL |
| 109 | GROUND | GROUND |
| 110 | SIGNAL | SIGNAL |
| 111 | SIGNAL | SIGNAL |
| 112 | GROUND | GROUND |

| CONTACT NUMBER | SIDE A | SIDE B |
|----------------|--------|--------|
| 113 | GROUND | GROUND |
| 114 | SIGNAL | SIGNAL |
| 115 | SIGNAL | SIGNAL |
| 116 | GROUND | GROUND |
| 117 | SIGNAL | SIGNAL |
| 118 | SIGNAL | SIGNAL |
| 119 | GROUND | GROUND |
| 120 | SIGNAL | SIGNAL |
| 121 | SIGNAL | SIGNAL |
| 122 | GROUND | GROUND |
| 123 | SIGNAL | SIGNAL |
| 124 | SIGNAL | SIGNAL |
| 125 | GROUND | GROUND |
| 126 | SIGNAL | SIGNAL |
| 127 | SIGNAL | SIGNAL |
| 128 | GROUND | GROUND |
| 129 | SIGNAL | SIGNAL |
| 130 | SIGNAL | SIGNAL |
| 131 | GROUND | GROUND |
| 132 | SIGNAL | SIGNAL |
| 133 | SIGNAL | SIGNAL |
| 134 | GROUND | GROUND |
| 135 | SIGNAL | SIGNAL |
| 136 | SIGNAL | SIGNAL |
| 137 | GROUND | GROUND |
| 138 | SIGNAL | SIGNAL |
| 139 | SIGNAL | SIGNAL |
| 140 | GROUND | GROUND |

- MATERIAL:
TRAY: HIPS, COLOR: BLACK.
BOX: CORRUGATED FIBERBOARD.
TRANSPARENT BAG: PE.
- DIMENSIONS:
TRAY: L= 330, W= 136, H= 18.
BOX: L= 13.75 IN, W= 11.75 IN, H= 5.75 IN.
- QUANTITY:
24 PIECES PER TRAY.
288 PIECES PER BOX.



HARD TRAY PACKAGING
 SHOWN AS 2328461-1, 2328461-2 OR 1-2328461-1
 SCALE 1:2

CONNECTOR CONTACT IDENTIFICATION

| | | | |
|--|--|-----------------------------|---|
| THIS DRAWING IS A CONTROLLED DOCUMENT. | | DWN M. SHIRK 24APR2018 | TE Connectivity |
| | | CHK J. WESTMAN 24APR2018 | |
| DIMENSIONS: mm | | APVD - | NAME RECEPTACLE CONNECTOR, VERTICAL, 280 POSITION, SLIVER 2.0 |
| TOLERANCES UNLESS OTHERWISE SPECIFIED: 0 PLC ±- 1 PLC ±0.1 2 PLC ±0.1 3 PLC ±- 4 PLC ±- ANGLES ±5° FINISH - | | PRODUCT SPEC 108-130022 | SIZE CAGE CODE DRAWING NO RESTRICTED TO |
| MATERIAL - | | APPLICATION SPEC 114-130011 | A200779 C-2328461 |
| | | WEIGHT - | SCALE 4:1 SHEET 4 OF 4 REV B |
| | | CUSTOMER DRAWING | |

单击下面可查看定价，库存，交付和生命周期等信息

[>>TE Connectivity\(泰科\)](#)