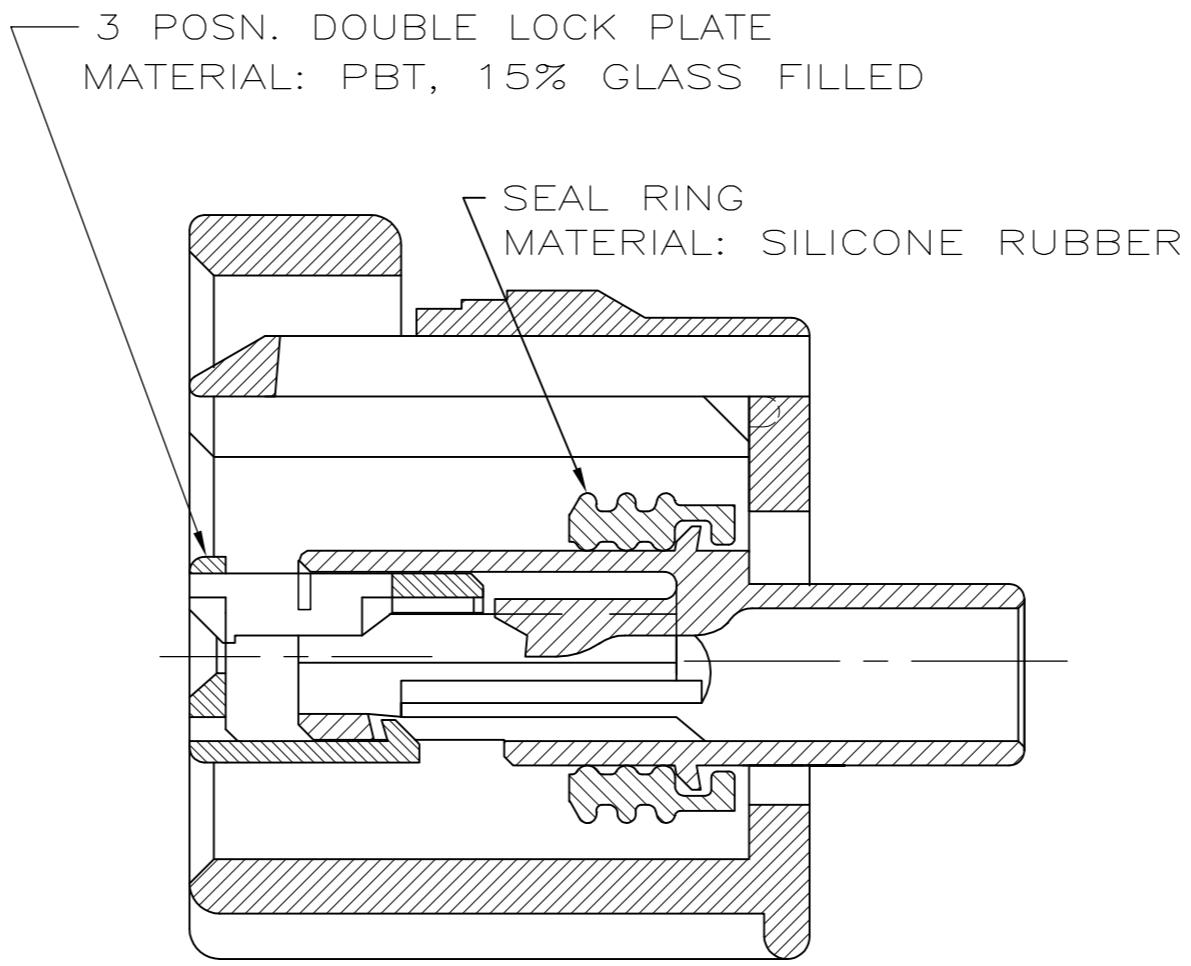
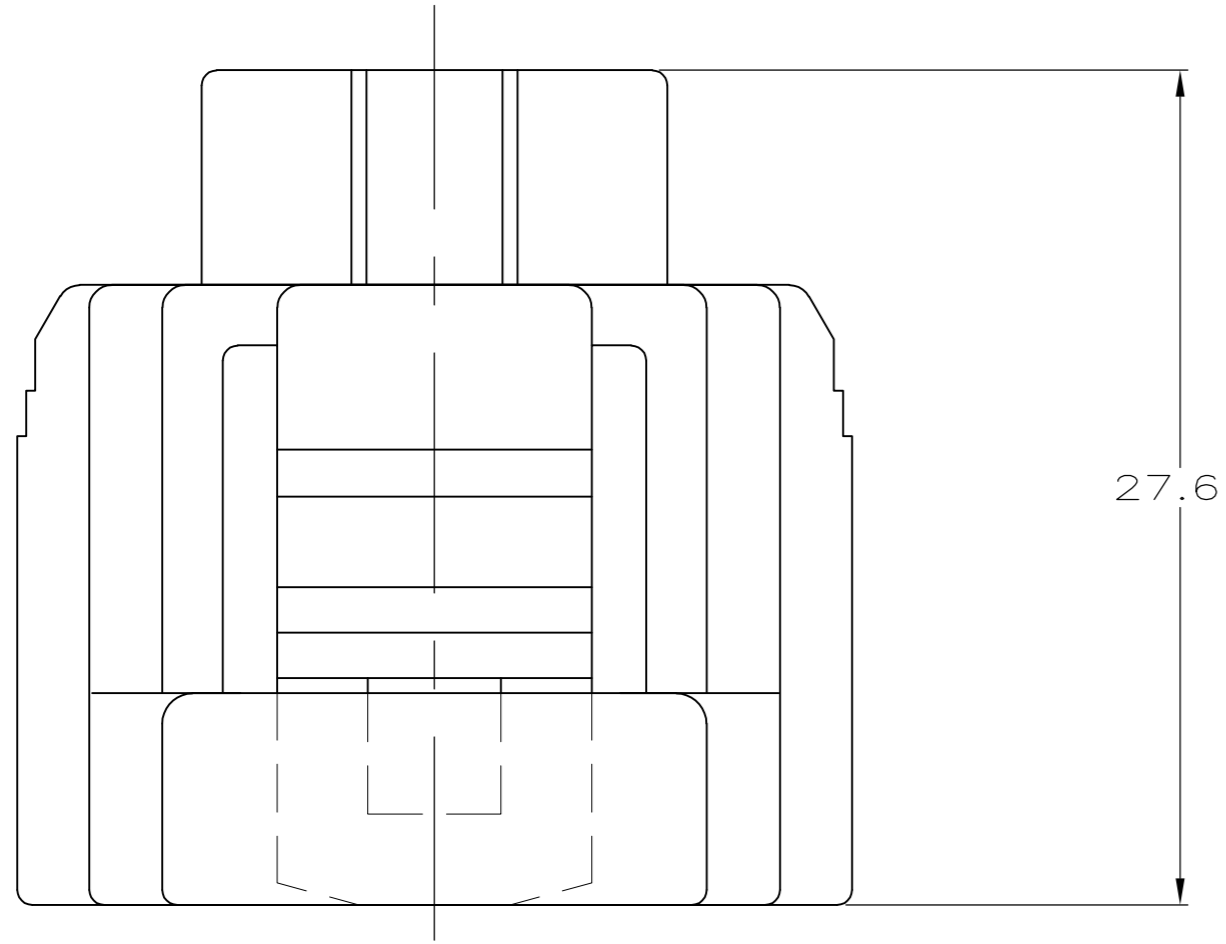
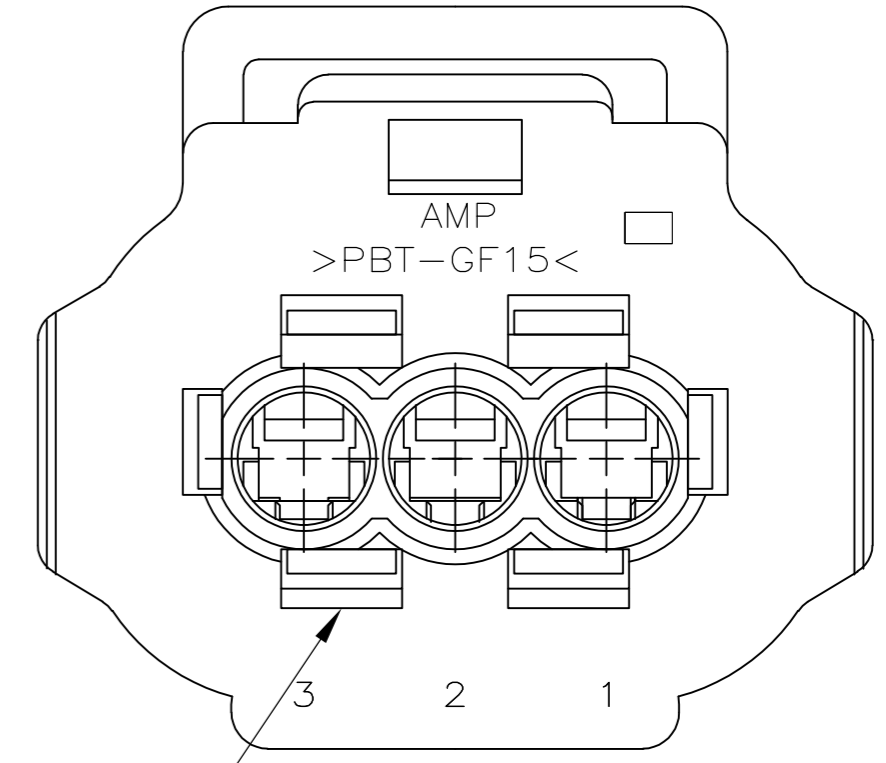


THIS DRAWING IS UNPUBLISHED. RELEASED FOR PUBLICATION  
 © COPYRIGHT - By - ALL RIGHTS RESERVED.

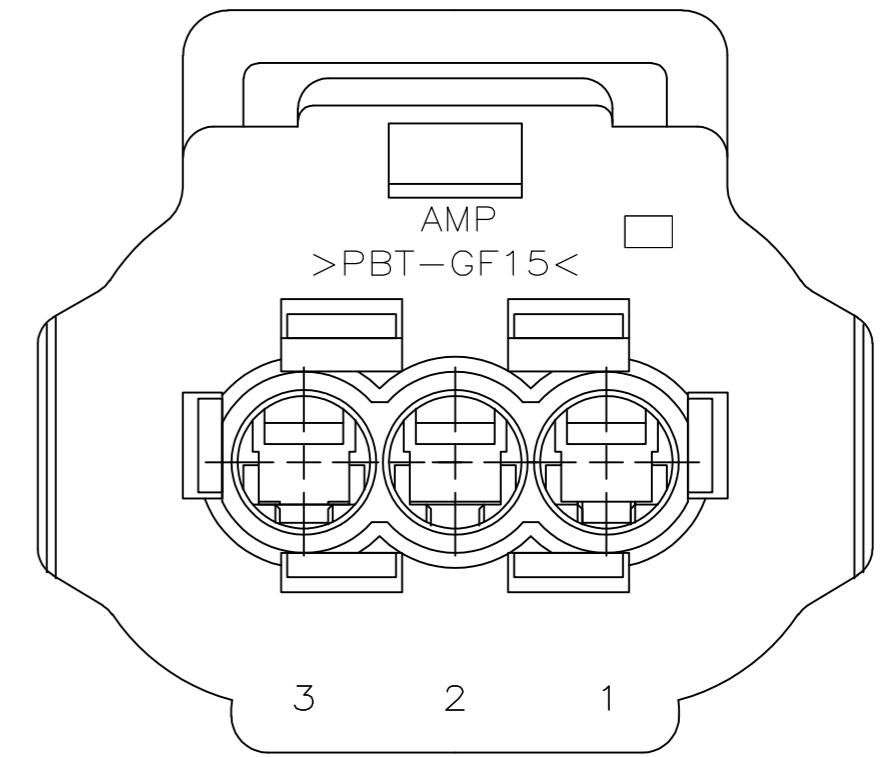
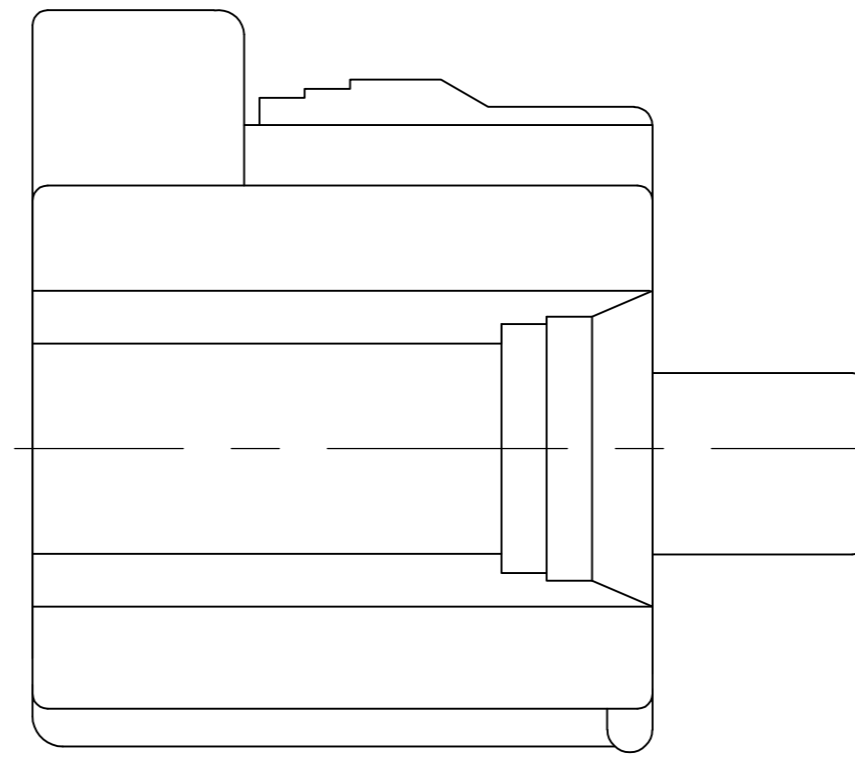
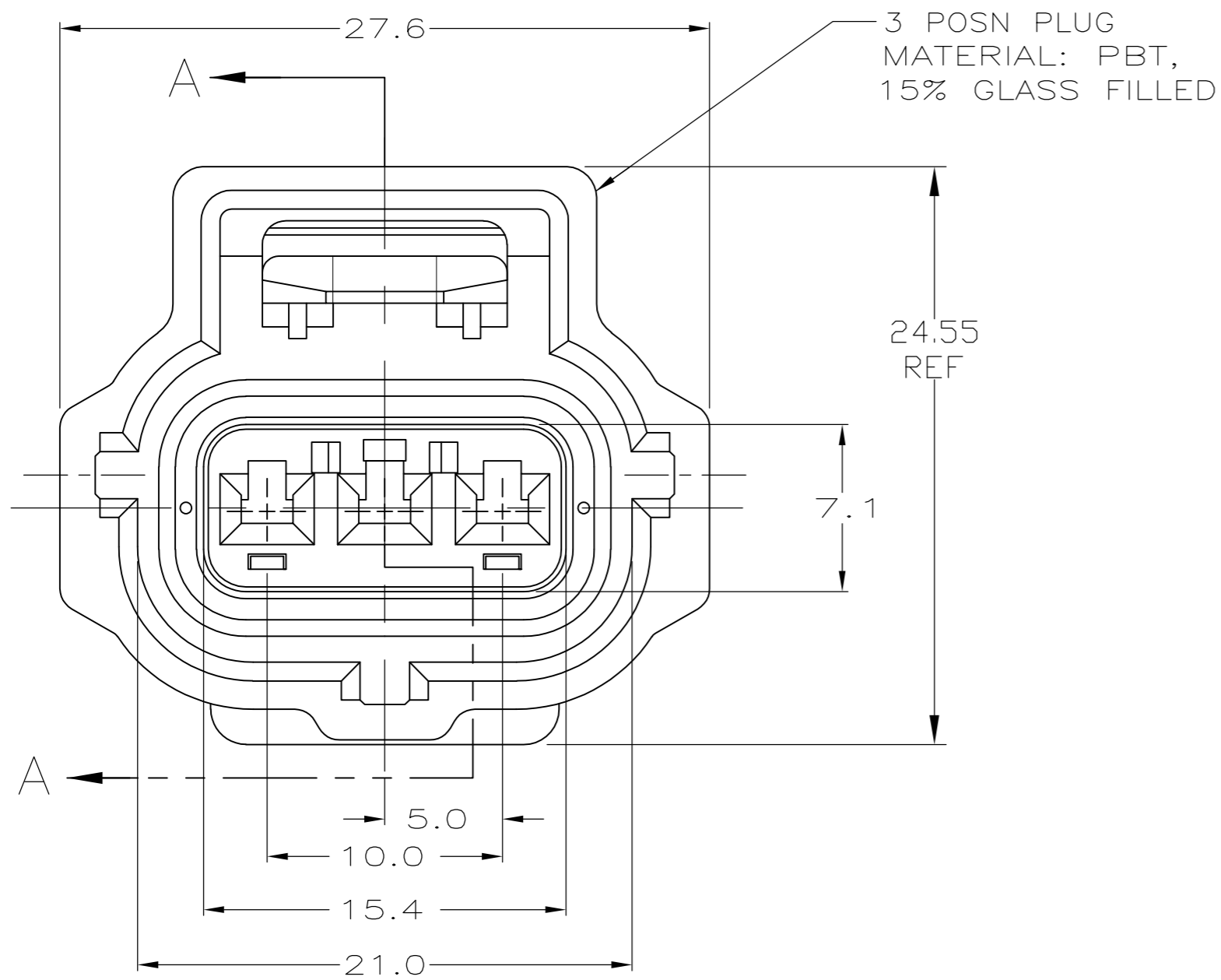
LOC	DIST	REVISIONS			
P	LTR	DESCRIPTION	DATE	DWN	APVD
GE	00	E1	REVISED PER ECO-11-005030	11MAR11	RK HMR



SECTION A-A



OPTIONAL CORING  
2 PLACES



184032

184032-1  
 PART NO

THIS DRAWING IS A CONTROLLED DOCUMENT.		DWN	KD LYTL	12/8/94		TE Connectivity						
DIMENSIONS: mm		CHK	JP KUNKLE	12/9/94		NAME						
TOLERANCES UNLESS OTHERWISE SPECIFIED:		APVD	JP KUNKLE	12/9/94		PRODUCT SPEC						
0 PLC ± - 1 PLC ± 0.3 2 PLC ± 0.3 3 PLC ± - 4 PLC ± - ANGLES ±1° -		APPLICATION SPEC		NAME								
MATERIAL AS NOTED		WEIGHT	-		SIZE	A2	CAGE CODE	00779	DRAWING NO	C=184032	RESTRICTED TO	-
FINISH -		CUSTOMER DRAWING		SCALE	4:1	SHEET	1 of 1	REV	E1			

单击下面可查看定价，库存，交付和生命周期等信息

[>>TE Connectivity\(泰科\)](#)