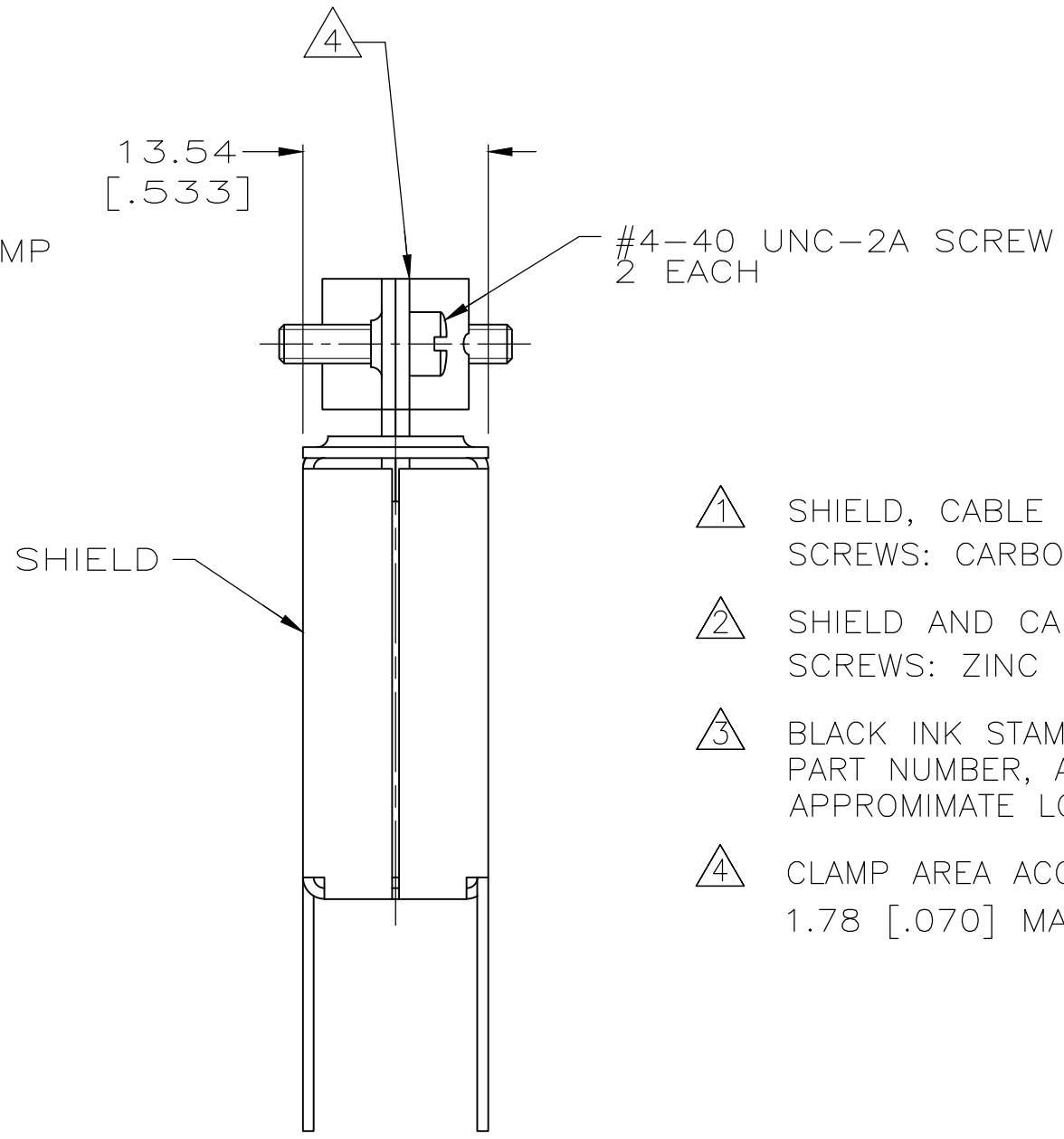
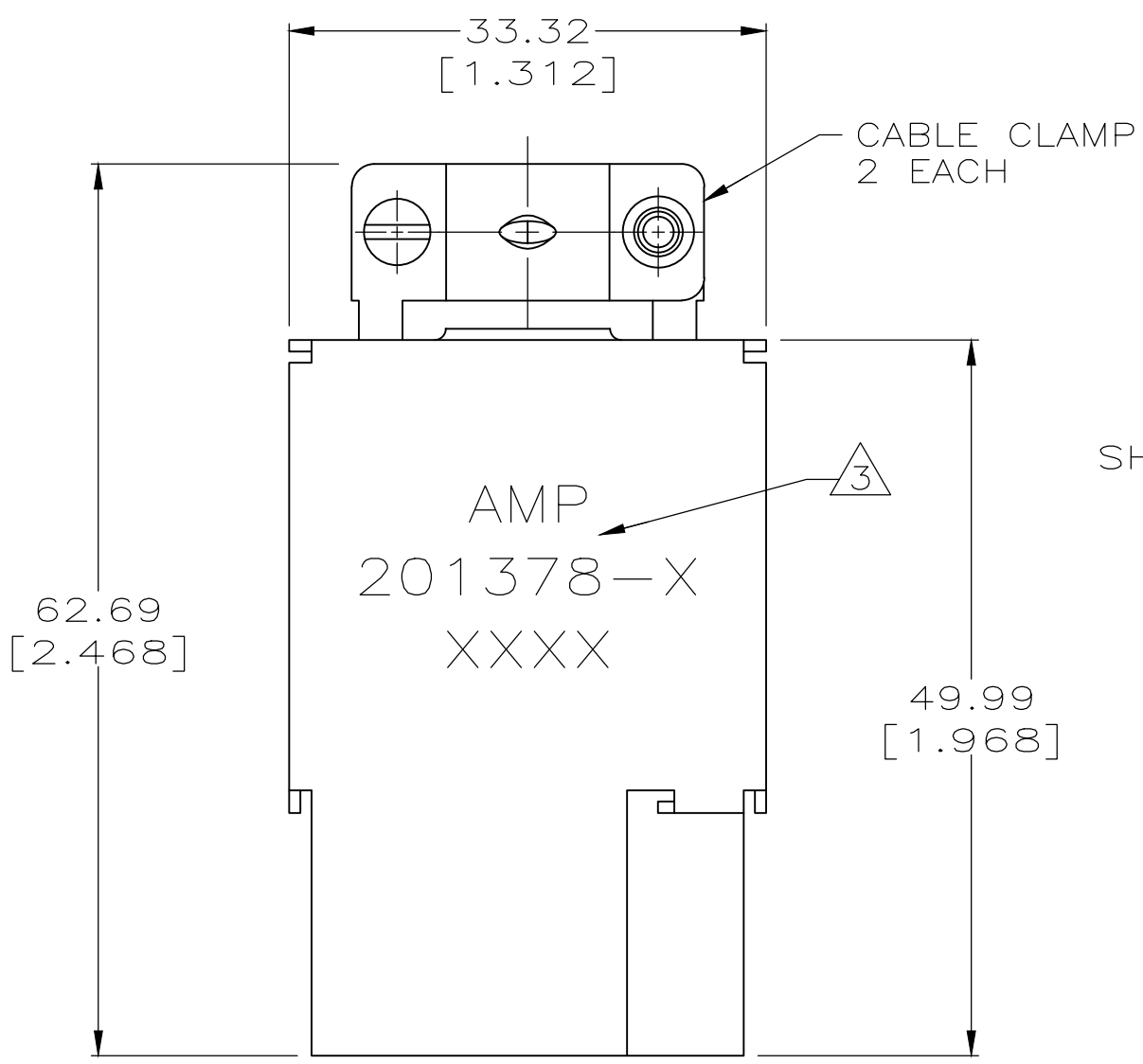


THIS DRAWING IS UNPUBLISHED. RELEASED FOR PUBLICATION
 © COPYRIGHT - TE Connectivity Ltd. ALL RIGHTS RESERVED.

REVISIONS					
P	LTR	DESCRIPTION	DATE	DWN	APVD
	L	REVISED PER ECO-18-007239	18MAY2018	KH	MZ



- ① SHIELD, CABLE CLAMP, AND SCREWS: CARBON STEEL.
- ② SHIELD AND CABLE CLAMP: NICKEL PLATED. SCREWS: ZINC PLATED.
- ③ BLACK INK STAMPED OR LASER MARKED AMP, PART NUMBER, AND DATE CODE IN APPROXIMATE LOCATION SHOWN.
- ④ CLAMP AREA ACCEPTS 14 WIRES OF 1.78 [.070] MAX OUTSIDE DIAMETER.

201378-2
 PART NUMBER

THIS DRAWING IS A CONTROLLED DOCUMENT.		DWN K.FOLTZ 28 SEP 95	TE Connectivity Ltd.														
DIMENSIONS: INCHES		CHK R.STONE 28 SEP 95															
TOLERANCES UNLESS OTHERWISE SPECIFIED:		APVD G.STEINHAUER 03 OCT 95	NAME SHIELD KIT, UNASSEMBLED, LONG, 14 PLACE, M SERIES														
<table border="0"> <tr> <td>0 PLC</td><td>± -</td> </tr> <tr> <td>1 PLC</td><td>± -</td> </tr> <tr> <td>2 PLC</td><td>± 0.38 [.015]</td> </tr> <tr> <td>3 PLC</td><td>± -</td> </tr> <tr> <td>4 PLC</td><td>± -</td> </tr> <tr> <td>ANGLES</td><td>± -</td> </tr> </table>		0 PLC	± -	1 PLC	± -	2 PLC	± 0.38 [.015]	3 PLC	± -	4 PLC	± -	ANGLES	± -	PRODUCT SPEC -	APPLICATION SPEC -		
0 PLC	± -																
1 PLC	± -																
2 PLC	± 0.38 [.015]																
3 PLC	± -																
4 PLC	± -																
ANGLES	± -																
MATERIAL ①	FINISH ②	WEIGHT 0	SIZE A3	CAGE CODE 00779	DRAWING NO C-201378												
CUSTOMER DRAWING			SCALE 2:1	SHEET 1 OF 1	REV L												

单击下面可查看定价，库存，交付和生命周期等信息

[>>TE Connectivity\(泰科\)](#)