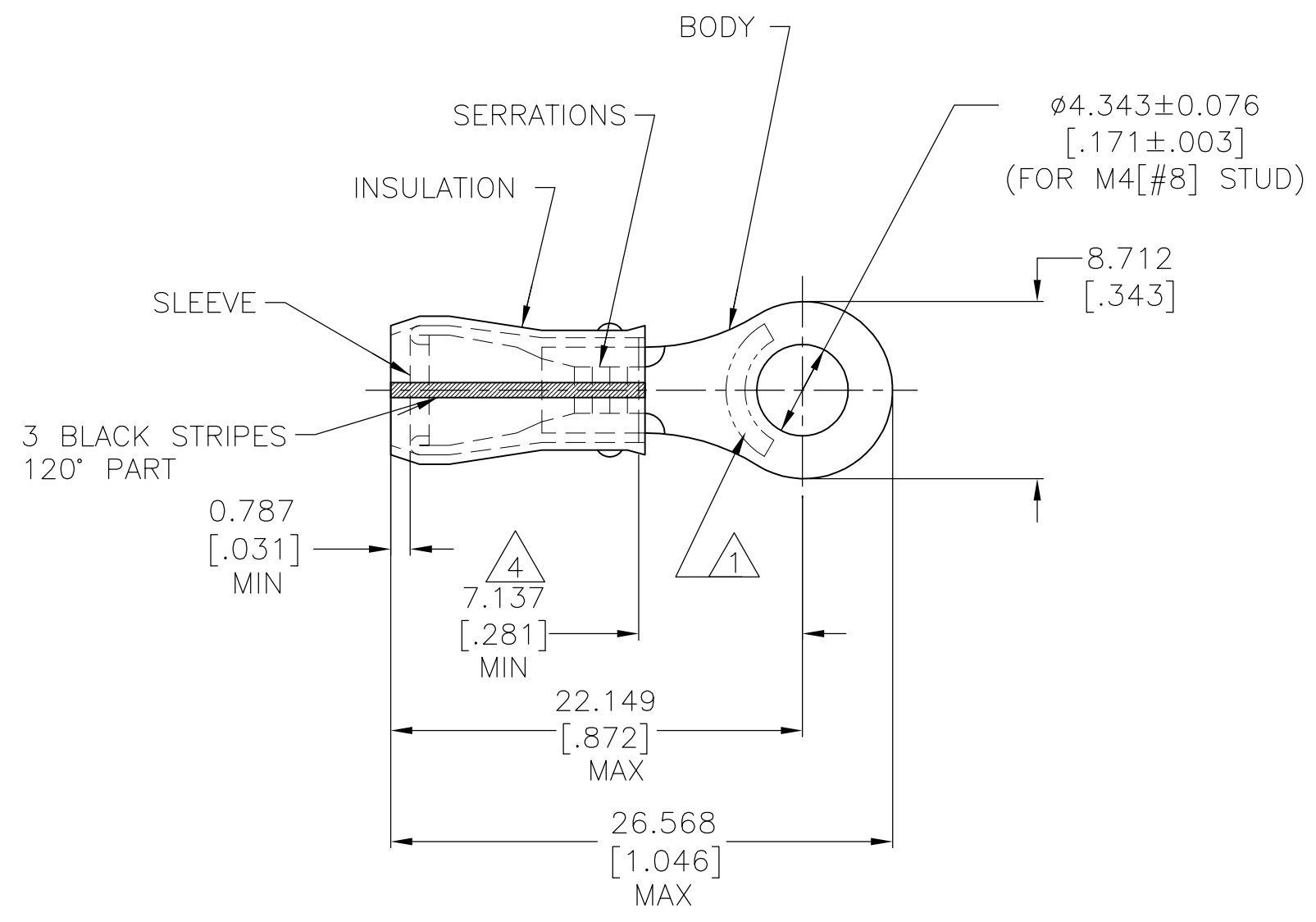


REVISIONS					
P	LTR	DESCRIPTION	DATE	DWN	APVD
	G	REVISED PER ECO-14-015277	27FEB2015	NK	DR
	G1	REVISED PER ECO-17-007400	01DEC2017	RS	DR



<b>AMP</b> WIRE RANGE	E13288	LR7189 Certified
16-14 AWG SOLID OR STRANDED	16-14 AWG SOLID OR STRANDED	16-14 AWG SOLID OR STRANDED

- 1 STAMP AMP 16-14 HD\* APPROX AS SHOWN.
- 2 WIRE INSULATION:  $\phi 3.810-6.350[\phi .150-.250]$ .
- 3 BODY MATERIAL THK,  $1.219\pm 0.051[.048\pm .002]$ .
- 4 APPLIES FROM EDGE OF METAL WIRE BARREL TO CENTER OF STUD HOLE.

2500	ON TAPE, REEL	2-35106-1
500	LOOSE PIECE	35106
QTY	PACKAGE TYPE	PART NO

<b>AMP INCORPORATED CUSTOMER SERVICE SYSTEM</b>		MAX RECOMMENDED OPERATING TEMPERATURE: 105°C[221°F]	THIS DRAWING IS A CONTROLLED DOCUMENT.		DWN M ELLIS 28SEP95	TE Connectivity				
FOR ADDITIONAL PRODUCT INFORMATION OR COPIES OF DRAWINGS AND TECHNICAL DOCUMENTS	PRODUCT INFORMATION CENTER 1-800-522-6752		VOLTAGE RATING: 300 V MAX	DIMENSIONS: mm [INCHES]	TOLERANCES UNLESS OTHERWISE SPECIFIED:				CHK C PRESNELL 28SEP95	NAME TERMINAL, RING TONGUE, PIDG™, WIRE SIZE, 16-14 HD AWG
FOR APPLICATION TOOLING INFORMATION	TOOLING ASSISTANCE CENTER 1-800-722-1111	CIRCULAR MIL AREA: 1.04mm <sup>2</sup> -2.62mm <sup>2</sup> [2050-5180] SOLID OR STRANDED		0 PLC ± -	APVD N BIRCH 28SEP95	PRODUCT SPEC UL 486 A-B				
FOR ORDER ENTRY	1-800-526-5142			1 PLC ± -	2 PLC ± -	3 PLC ± 0.127[.005]	APPLICATION SPEC 114-2157	SIZE	CAGE CODE	DRAWING NO
			MATERIAL BODY, SLV, COPPER PER ASTM B 152 INSUL, NYLON, COLOR, YELLOW	4 PLC ± -	FINISH BODY & SLV, TIN PLATE PER ASTM B545	WEIGHT -	A3	00779	C-35106	-
CUSTOMER DRAWING						SCALE 4:1	SHEET 1 OF 1	REV G1		

单击下面可查看定价，库存，交付和生命周期等信息

[>>TE Connectivity\(泰科\)](#)